



Customer information packet

CCPX282546T

25HP, 1775//1475RPM, 3PH, 60HZ, 284TCY, XPFC,
Class - CLI GP C,D; CLII GP E,F,G
Division - Division I

Specifications

Enclosure	XPFC
Frame	284TC
Frame Material	Iron
Frequency	50.00 Hz 60.00 Hz
Motor Letter Type	Three Phase
Output @ Frequency	25.000 HP @ 60 HZ 20.000 HP @ 50 HZ
Phase	3
Synchronous Speed @ Frequency	1800 RPM @ 60 HZ
Voltage @ Frequency	190.0 V @ 50 HZ 230.0 V @ 60 HZ 380.0 V @ 50 HZ 460.0 V @ 60 HZ
XP Class and Group	CLI GP C,D; CLII GP E,F,G
XP Division	Division I
Agency Approvals	CSA CSA EEV UR
Ambient Temperature	40 °C
Auxillary Box	No Auxillary Box
Auxillary Box Lead Termination	None
Base Indicator	Rigid
Bearing Grease Type	Polyrex EM (-20F +300F)
Blower	None
Constant Torque Speed Range	6
Current @ Voltage	64.000 A @ 208.0 V 62.000 A @ 230.0 V 60.000 A @ 190.0 V 31.000 A @ 460.0 V 30.000 A @ 380.0 V
Design Code	A

Part detail

Revision	L
Type	AC
Mech. spec.	
Base	
Status	PRD/A
Elec. spec.	10WGZ651
Layout	10LY-000-222
Eff. date	12-14-2022
CD Diagram	CD0180
Poles	04
Leads	9#10
Proprietary	False
Created date	04-20-2019

Drip Cover	No Drip Cover
Duty Rating	CONT
Efficiency @ 100% Load	93.6 %
Electrically Isolated Bearing	Not Electrically Isolated
Enclosure Modification	Severe Duty Features
Feedback Device	NO FEEDBACK
Heater Indicator	No Heater
High Voltage Full Load Amps	30.0 a
Insulation Class	F
Inverter Code	Inverter Duty
IP Rating	IP55
KVA Code	J
Lifting Lugs	Standard Lifting Lugs
Locked Bearing Indicator	Locked Bearing
Max Speed	2700 rpm
Motor Lead Termination	Flying Leads
Motor Standards	NEMA
Motor Type	1054M
Mounting Arrangement	F1
Number of Poles	4
Overall Length	28.61 IN
Power Factor	81
Product Family	Chemical Process Features
Pulley Face Code	C-Face
Rodent Screen	None
Service Factor	1.00
Shaft Diameter	1.875 IN
Shaft Ground Indicator	No Shaft Grounding
Shaft Rotation	Reversible
Speed	1775 rpm
Speed Code	Single Speed
Starting Method	Direct on line
Thermal Device - Bearing	None
Thermal Device - Winding	Normally Closed Thermostat

Vibration Sensor Indicator	No Vibration Sensor
Winding Thermal 1	None
Winding Thermal 2	None
XP Temp Code	T3C

Nameplate

NP2033XPSLEV										
NO.		CC	010A							
S/N		TEMP CODE	T3C							
SPEC.	10-0000-0739		INV.TYPE	PWM						
CAT.NO.	CCPX282546T		C HP FR	60	C HP TO	90				
HP	25//20		CT HZ FROM	6	CT HZ TO	60				
VOLTS	230/460//190/380		VT HZ FROM	6	VT HZ TO	60				
AMPS	62/31//60/30		MAG CUR	28/14						
RPM	1775//1475		MX RPM	2700						
HZ	60//50	PH	3	CL	F	NOM.EFF.	93.6			
SER.F.	1.00	DES	A	SL HZ	0.83	WK2	4.13			
FRAME	284TCY	RATING	40C AMB-CONT							
BLANK	55C AMB @ 1.0 SF, 60C RISE									
	1.15SF ON SINEWAVE		NEMA MG-1 PT.5,IP55							

Parts list

Part number	Description	Quantity
SA368678	SA 10-0000-0739	1.000 ea
RA358198	RA 10-0000-0739	1.000 ea
LB1115N	LABEL,LIFTING DEVICE (ON ROLLS)	1.000 ea
LB1119N	WARNING LABEL	1.000 ea
LC0181	CONNECTION LABEL	1.000 ea
NP2033XPSLEV	SS XP INV UL CSA-EEV CC CL-I GP-C&D	1.000 ea
85XU0407S04	4X1/4 U DRIVE PIN STAINLESS	2.000 ea
85XU0407S04	4X1/4 U DRIVE PIN STAINLESS	4.000 ea
MN416A01	TAG-INSTAL-MAINT no wire (2100bx)4/22	1.000 ea
LB1081C	ALUM XP CAUTION LABEL (COL PLANT ONLY-	1.000 ea
10FH1008A05P	310 FAN HOUSING X-PROOF MACH. W/EPOXY PR	1.000 ea
HW1001A31	LOCKWASHER 5/16, ZINC PLT.591 OD, .319 I	3.000 ea
10XN3118K12	5/16-18 X .75 GRADE 5, ZINC PLATED	3.000 ea
09FN3001D02	EXTERNAL FAN, PLASTIC (COMES W/SCREW FRO	1.000 ea
HW2500A25	WOODRUFF KEY USA #1008 #BLOW CARBON STEE	1.000 ea
MJ1000A02	GREASE, POLYREX EM EXXON	0.130 lb
10EP1701A64LP5	FR ENDPLATE, MACH W/PRIMER & MG1025L14	1.000 ea
HA3050A03	3/8-16 X 2.25" GRADE 8 BOLT	4.000 ea
HW1001A38	LOCKWASHER 3/8, ZINC PLT .688 OD, .382 I	4.000 ea
HA2009A111	SLINGER FOR GROUP E MTRS - 309 BRG.	1.000 ea
80XN0632A10	SET SCREW,#6-32 X .62 LG.HEX SOC. HD.	2.000 ea
HW5100A11	W3917-042 WVY WSHR (WB)	1.000 ea
HA4017A06	/125 X 3.00 GREASER EXT. (F/S)	1.000 ea
HA4017A03	.125 X 1.75 GREASE EXT (F/S)	1.000 ea
HW4019A01	PIPE COUPLING 1/8 NPT,STEEL,ZINC COATING	1.000 ea
HA4051A00	PLASTIC CAP FOR GREASE FITTING	1.000 ea
HW4500A21	1618BALEMITE FITTING 825 UNIVERSAL	1.000 ea
HW4500A20	1/8NPT SL PIPE PLUG	1.000 ea
HW4505A02	BREATHER/DRAIN-EXP PROOF-.250-18 PTF AIS	1.000 ea
HW3023E06	.125 X .625 SPIRAL SPRING PIN	1.000 ea
10EP1710A42P	FACE MTD PUEP, XPFC, W/EPOXY PRIMER	1.000 ea

HW1001A38	LOCKWASHER 3/8, ZINC PLT .688 OD, .382 I	4.000 ea
HA3050A03	3/8-16 X 2.25" GRADE 8 BOLT	4.000 ea
HA2009A33	SLINGER, FOR GROUP E MOTORS - 311 BRG.	1.000 ea
80XN0632A10	SET SCREW,#6-32 X .62 LG.HEX SOC. HD.	2.000 ea
10XN2520K40	1/4-20 X 2-1/2 HEX HD CAPSCREW,GRADE 5,Z	4.000 ea
HW1001A25	LOCKWASHER 1/4, ZINC PLT .493 OD, .255 I	4.000 ea
HA4051A00	PLASTIC CAP FOR GREASE FITTING	1.000 ea
HW4500A03	GREASE FITTING, .125 NPT 1610(ALEMITE) 8	1.000 ea
HW4500A20	1/8NPT SL PIPE PLUG	1.000 ea
HW4505A02	BREATHER/DRAIN-EXP PROOF-.250-18 PTF AIS	1.000 ea
HW3023E06	.125 X .625 SPIRAL SPRING PIN	1.000 ea
12CB1003A02P	KOBX, MACH 1.50 NPT GROUP C MTRS ,EPOXY	1.000 ea
10XN3118K24	5/16-18 X 1.50" HEX HD, GRADE 5	4.000 ea
HW1001A31	LOCKWASHER 5/16, ZINC PLT.591 OD, .319 I	4.000 ea
WD1000B19	TERMINAL BURNDY L250HP	1.000 ea
10XN3816K08	3/8-16 X .50 HEX HD CAP SCREW GRADE 5	1.000 ea
HW1001A38	LOCKWASHER 3/8, ZINC PLT .688 OD, .382 I	1.000 ea
12CB1502A01P	CONDUIT BOX LID MACH. GROUP C MTRS	1.000 ea
84XN5013J32	SOCKET HD.CAP SCR,1/2-13 X 2"LG,ALLOY ST	10.000 ea
HW1001A50	LOCKWASHER 1/2, ZINC PLT,.879 OD, .509 I	10.000 ea
MG1025G29	WILKOFAS, 789.229, DARK CHARCOAL GRAY	0.125 ga
14PA1000	PACKAGING 314 GROUP COMBINED PRINT	1.000 ea
HW2501H28	KEY, 1/2 SQ X 3.250	1.000 ea

AC Induction Motor Performance Data

Record # 67462

Typical performance - not guaranteed values

Winding: 10WGZ651-R004		Type: 1054M	Enclosure: XPFC	
Nameplate Data			460 V, 60 Hz: High Voltage Connection	
Rated Output (HP)	25	Full Load Torque	74.02 LB-FT	
Volts	230/460	Start Configuration	direct on line	
Full Load Amps	62/31	Breakdown Torque	262 LB-FT	
R.P.M.	1775	Pull-up Torque	118 LB-FT	
Hz	60 Phase	Locked-rotor Torque	142 LB-FT	
NEMA Design Code	A KVA Code	Starting Current	223 A	
Service Factor (S.F.)	1	No-load Current	13.6 A	
NEMA Nom. Eff.	93.6 Power Factor	Line-line Res. @ 25°C	0.2345 Ω	
Rating - Duty	40C AMB-CONT	Temp. Rise @ Rated Load	51°C	
		Locked-rotor Power Factor	30.6	

Load Characteristics 460 V, 60 Hz, 25 HP

% of Rated Load	25	50	75	100	125	150
Power Factor	43	65	76	81	84	85
Efficiency	88.3	92.8	93.9	94	93.7	93.1
Speed	1794.1	1789.3	1783.5	1777.8	1770.8	1763.8
Line amperes	15.3	19.3	24.6	30.6	37.2	44.5

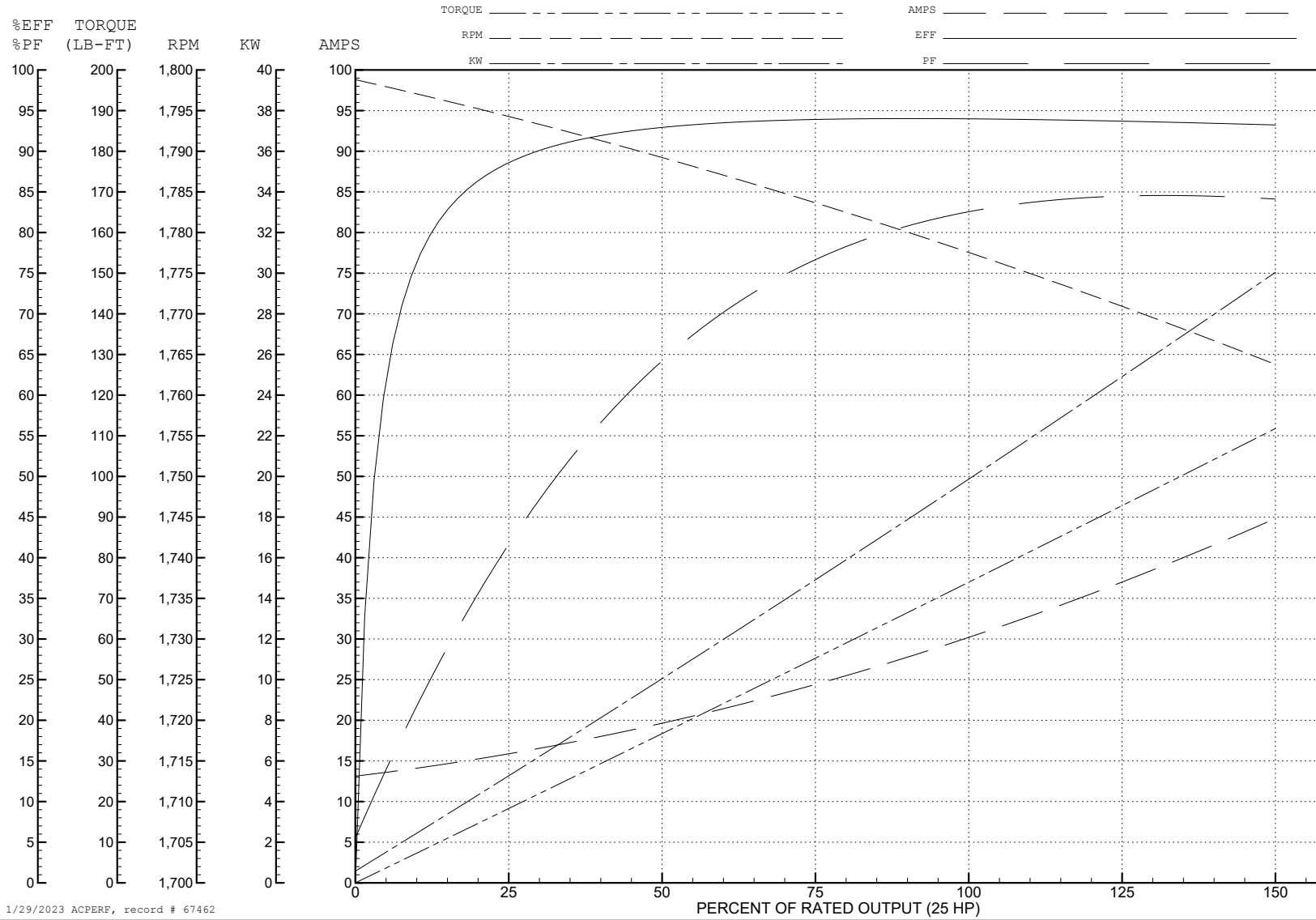
ABB Motors and Mechanical Inc.

WINDING # 10WGZ651

Typical performance - not guaranteed values.

25 HP 3 PH 60 HZ 1775 RPM 460 V 1054M

TORQUES (LB-FT): PO=262 PU=118 LR=142 LRA=223



1/29/2023 ACPERF, record # 67462

AC Induction Motor Performance Data

Record # 74484

Typical performance - not guaranteed values

Winding: 10WGZ651-R024		Type: 1054M	Enclosure: XPFC			
Nameplate Data			380 V, 50 Hz: High Voltage Connection			
Rated Output (HP)	25//20		Full Load Torque	71.24 LB-FT		
Volts	230/460//190/380		Start Configuration	direct on line		
Full Load Amps	62/31//60/30		Breakdown Torque	254 LB-FT		
R.P.M.	1775//1475		Pull-up Torque	121 LB-FT		
Hz	60//50	Phase	3	Locked-rotor Torque	146 LB-FT	
NEMA Design Code	A		KVA Code	J	Starting Current	213 A
Service Factor (S.F.)	1			No-load Current	13.24 A	
NEMA Nom. Eff.	93.6	Power Factor	81	Line-line Res. @ 25°C	0.231 Ω	
Rating - Duty	40C		AMB-CONT	Temp. Rise @ Rated Load	48°C	
S.F. Amps				Temp. Rise @ S.F. Load	58°C	
				Locked-rotor Power Factor	33.9	
				Rotor inertia	4.31 LB-FT ²	

Load Characteristics 380 V, 50 Hz, 20 HP

% of Rated Load	25	50	75	100	125	150
Power Factor	43	66	76	82	84	85
Efficiency	88.8	93	93.8	93.8	93.3	92.9
Speed	1494	1490	1484	1479	1472	1465
Line amperes	14.85	18.69	23.83	29.65	36.06	43.17

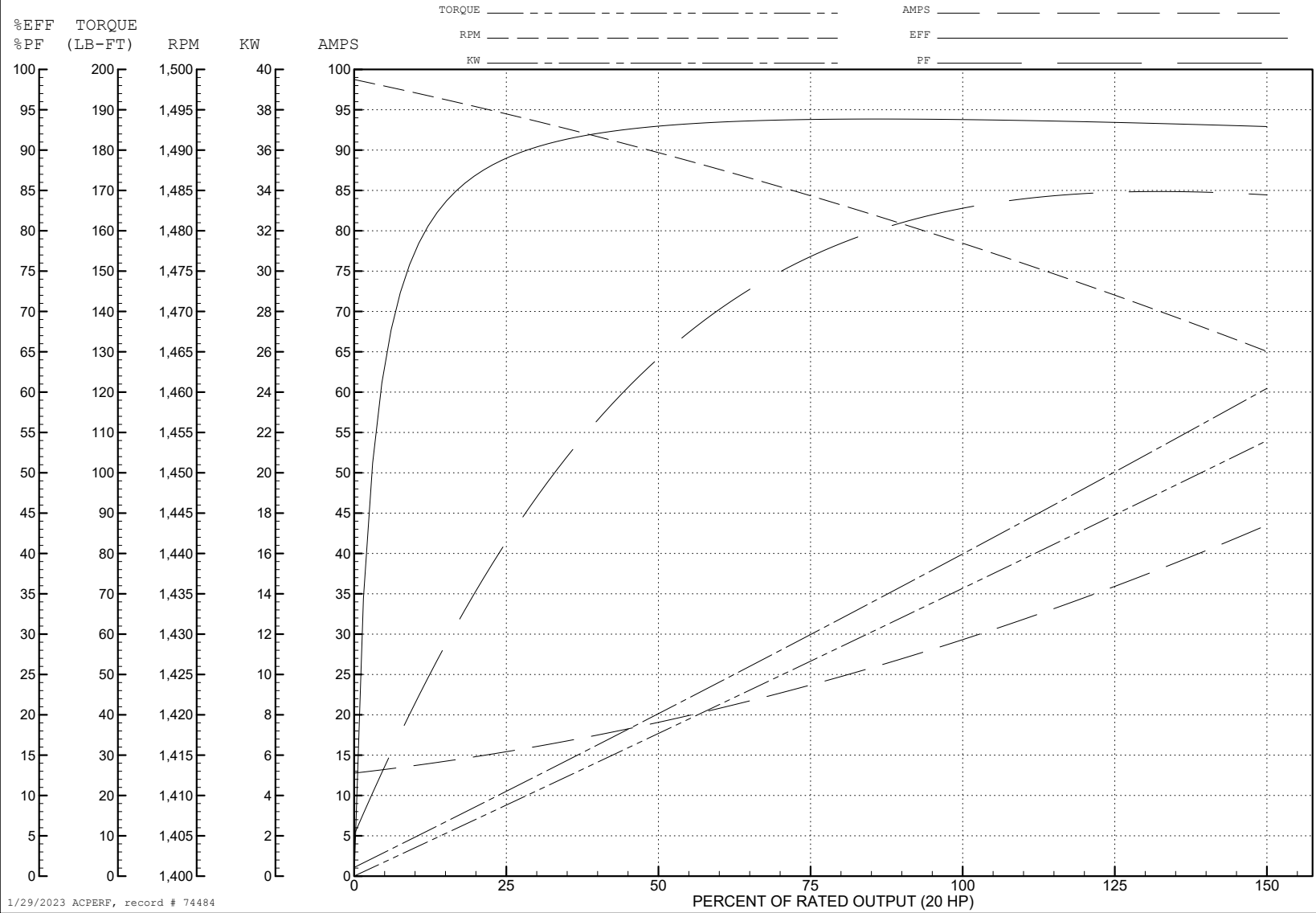
ABB Motors and Mechanical Inc.

WINDING # 10WGZ651

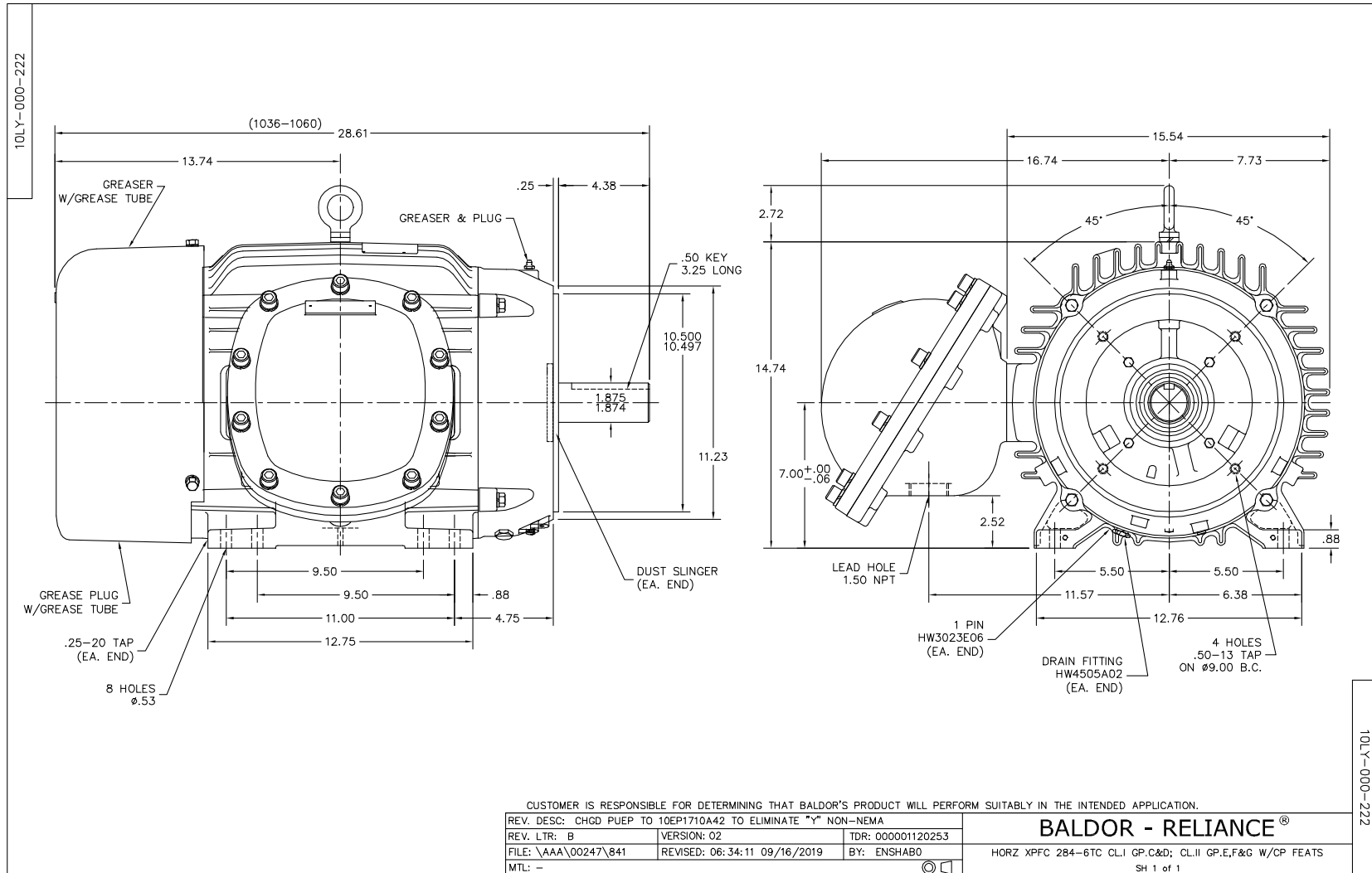
Typical performance - not guaranteed values.

20 HP 3 PH 50 HZ 1479 RPM 380 V 1054M

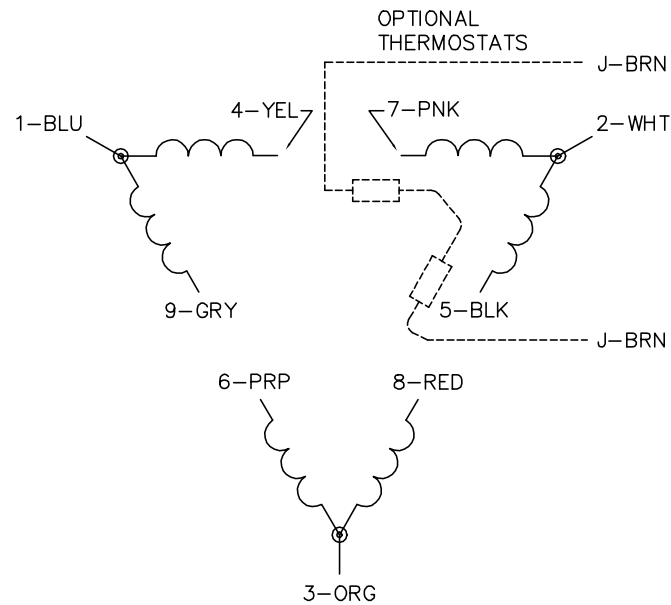
TORQUES (LB-FT): PO=254 PU=121 LR=146 LRA=213



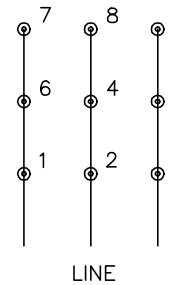
1/29/2023 ACPERF, record # 74484



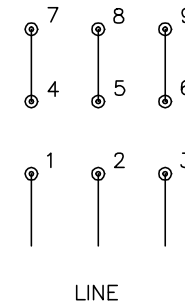
CD0180



LOW VOLTAGE
(2D)



HIGH VOLTAGE
(1D)



NOTES:

1. INTERCHANGE ANY TWO LINE LEADS TO REVERSE ROTATION.
2. OPTIONAL THERMOSTATS ARE PROVIDED WHEN SPECIFIED.
3. ACTUAL NUMBER OF INTERNAL PARALLEL CIRCUITS MAY BE A MULTIPLE OF THOSE SHOWN ABOVE.
4. LEAD COLORS ARE OPTIONAL. LEADS MUST ALWAYS BE NUMBERED AS SHOWN.

CD0180

REV. DESC: ADD CLASS CONN00000007		
REV. LTR: D	VERSION: 01	TDR: 000001099922
FILE: \AAA\00005\148	REVISED: 10: 25: 29 02/19/2019	BY: ENBRIRO
MTL: -	© □	

BALDOR - RELIANCE®

3PH, DV, 9 LEADS, DELTA CONNECTION

SH 1 of 1