

BALDOR • RELIANCE

Customer information packet

CCPX32446T

54M 4P XPFC HOR 324TCY TSTAT CP FEAT INV

Class - CLI GP C,D; CLII GP E,F,G

Division - Division I

Specifications

Enclosure	XPFC
Frame	324TCY
Frame Material	Iron
Frequency	50.00 Hz 60.00 Hz
Motor Letter Type	Three Phase
Output @ Frequency	40.000 HP @ 60 HZ 30.000 HP @ 50 HZ
Phase	3
Synchronous Speed @ Frequency	1800 RPM @ 60 HZ
Voltage @ Frequency	190.0 V @ 50 HZ 230.0 V @ 60 HZ 380.0 V @ 50 HZ 460.0 V @ 60 HZ
XP Class and Group	CLI GP C,D; CLII GP E,F,G
XP Division	Division I
Agency Approvals	UR CSA EEV CSA
Ambient Temperature	40 °C
Auxillary Box	No Auxillary Box
Auxillary Box Lead Termination	None
Base Indicator	Rigid
Bearing Grease Type	Polyrex EM (-20F +300F)
Blower	None
Constant Torque Speed Range	6
Current @ Voltage	96.000 A @ 230.0 V 90.000 A @ 190.0 V 48.000 A @ 460.0 V 45.000 A @ 380.0 V 102.000 A @ 208.0 V
Design Code	A

Part detail

Revision	D
Type	AC
Mech. spec.	12J224
Base	
Status	PRD/A
Elec. spec.	12WGY276
Layout	12LYJ224
Eff. date	12-14-2022
CD Diagram	CD0180
Poles	04
Leads	9#8
Proprietary	False
Created date	04-18-2019

Drip Cover	No Drip Cover
Duty Rating	CONT
Efficiency @ 100% Load	94.1 %
Electrically Isolated Bearing	Not Electrically Isolated
Enclosure Modification	Severe Duty Features
Feedback Device	NO FEEDBACK
Front Shaft Indicator	None
Heater Indicator	No Heater
High Voltage Full Load Amps	45.0 a
Insulation Class	F
Inverter Code	Inverter Duty
IP Rating	IP55
KVA Code	H
Lifting Lugs	Standard Lifting Lugs
Locked Bearing Indicator	Locked Bearing
Max Speed	2700 rpm
Motor Lead Quantity/Wire Size	9 @ 8 AWG
Motor Lead Termination	Flying Leads
Motor Standards	NEMA
Motor Type	X1254M
Mounting Arrangement	F1
Number of Poles	4
Overall Length	32.00 IN
Power Factor	82
Product Family	Hazardous Location Motor
Pulley End Bearing Type	Ball
Pulley Face Code	C-Face
Pulley Shaft Indicator	Standard
Rodent Screen	None
Service Factor	1.00
Shaft Diameter	2.125 IN
Shaft Ground Indicator	No Shaft Grounding
Shaft Rotation	Reversible
Shaft Slinger Indicator	Shaft Slinger

Speed	1480 rpm 1775 rpm
Speed Code	Single Speed
Starting Method	Direct on line
Thermal Device - Bearing	None
Thermal Device - Winding	Normally Closed Thermostat
Vibration Sensor Indicator	No Vibration Sensor
Winding Thermal 1	None
Winding Thermal 2	None
XP Temp Code	T3C

Nameplate

NP2033XPSLEV										
NO.		CC	010A							
S/N		TEMP CODE	T3C							
SPEC.	12J224Y276G1		INV.TYPE	PWM						
CAT.NO.	CCPX32446T		C HP FR	60	C HP TO	90				
HP	40//30		CT HZ FROM	6	CT HZ TO	60				
VOLTS	230/460//190/380		VT HZ FROM	6	VT HZ TO	60				
AMPS	96/48//90/45		MAG CUR	21						
RPM	1775//1480		MX RPM	2700						
HZ	60//50	PH	3	CL	F	NOM.EFF.	94.1			
SER.F.	1.00	DES	A	SL HZ	0.83	WK2	7.19			
FRAME	324TCY	RATING	40C AMB-CONT							
BLANK	55C AMB @ 1.0 SF, 60C RISE									
	1.15SF ON SINEWAVE									

Parts list

Part number	Description	Quantity
SA368637	SA 12J224Y276G1	1.000 ea
RA358159	RA 12J224Y276G1	1.000 ea
09FN3001B03SP	EXTERNAL FAN, PLASTIC (COMES W/SCREW FRO	1.000 ea
12CB1003A01P	KOBX,MACH 2.00 NPT GROUP C MTRS,EPOXY PR	1.000 ea
10XN3118K24	5/16-18 X 1.50" HEX HD, GRADE 5	4.000 ea
HW1001A31	LOCKWASHER 5/16, ZINC PLT.591 OD, .319 I	4.000 ea
WD1000B19	TERMINAL BURNDY L250HP	1.000 ea
10XN3816K12	3/8-16 X 3/4 HEX HD CAP GRADE 5	1.000 ea
HW1001A38	LOCKWASHER 3/8, ZINC PLT .688 OD, .382 I	1.000 ea
HA3051A03	1/2-13X2.75 BLT GR8 1.75 TO E NC F/S	4.000 ea
HW1001A50	LOCKWASHER 1/2, ZINC PLT,.879 OD, .509 I	4.000 ea
HA2009A50	SLINGER FOR GROUP E MTRS - 311 BRG.	1.000 ea
80XN0632A10	SET SCREW,#6-32 X .62 LG.HEX SOC. HD.	2.000 ea
HA4017A08	.125X3.50 GREASER EXTEN.	1.000 ea
HA4017A03	.125 X 1.75 GREASE EXT (F/S)	1.000 ea
HW4019A01	PIPE COUPLING 1/8 NPT,STEEL,ZINC COATING	1.000 ea
HW4505A02	BREATHER/DRAIN-EXP PROOF-.250-18 PTF AIS	0.200 ea
HW3023E06	.125 X .625 SPIRAL SPRING PIN	1.000 ea
HW5100A13	W4627-047 WVY WSHER	1.000 ea
12EP1707A26P	FACE MTD EP, XP 312 BRG, GROUP E W/EPOXY	1.000 ea
10XN3118K40	5/16-18 X 2.75" HEX HD, GRADE 5	4.000 ea
HA3051A03	1/2-13X2.75 BLT GR8 1.75 TO E NC F/S	4.000 ea
HW1001A50	LOCKWASHER 1/2, ZINC PLT,.879 OD, .509 I	4.000 ea
HA2009A49	SLINGER FOR GROUP E MTRS - 312 BRG.	1.000 ea
80XN0632A10	SET SCREW,#6-32 X .62 LG.HEX SOC. HD.	2.000 ea
HW4505A02	BREATHER/DRAIN-EXP PROOF-.250-18 PTF AIS	1.000 ea
HW3023E06	.125 X .625 SPIRAL SPRING PIN	1.000 ea
12FH1001A07P	FAN COVER, MACH W/EPOXY PRIMER & SLOT FO	1.000 ea
10XN3118K12	5/16-18 X .75 GRADE 5, ZINC PLATED	3.000 ea
HW1001A31	LOCKWASHER 5/16, ZINC PLT.591 OD, .319 I	3.000 ea
12CB1502A01P	CONDUIT BOX LID MACH. GROUP C MTRS	1.000 ea

84XN5013J32	SOCKET HD.CAP SCR,1/2-13 X 2"LG,ALLOY ST	10.000 ea
HW1001A50	LOCKWASHER 1/2, ZINC PLT,.879 OD, .509 I	10.000 ea
HW2501H33	KEY, 1/2 SQ X 3.875	1.000 ea
LB1115N	LABEL,LIFTING DEVICE (ON ROLLS)	1.000 ea
LB1081C	ALUM XP CAUTION LABEL (COL PLANT ONLY-	1.000 ea
MJ5001A27	32220KN GRAY SEALER *MIN BUY 4 QTS=1GAL	0.001 qt
12EP1705A23LP5	ENDPLATE, MACH.312-EXPL.PROOF 311 BRG.-G	1.000 ea
HW4500A21	1618BALEMITE FITTING 825 UNIVERSAL	1.000 ea
HA4051A00	PLASTIC CAP FOR GREASE FITTING	1.000 ea
HW4500A20	1/8NPT SL PIPE PLUG	1.000 ea
MJ1000A02	GREASE, POLYREX EM EXXON	0.200 lb
HW4500A03	GREASE FITTING, .125 NPT 1610(ALEMITE) 8	1.000 ea
HA4051A00	PLASTIC CAP FOR GREASE FITTING	1.000 ea
HW4500A20	1/8NPT SL PIPE PLUG	1.000 ea
HW2500A25	WOODRUFF KEY USA #1008 #BLOW CARBON STEE	1.000 ea
MG1025G29	WILKOFAS, 789.229, DARK CHARCOAL GRAY	0.080 ga
85XU0407S04	4X1/4 U DRIVE PIN STAINLESS	6.000 ea
LB1119N	WARNING LABEL	1.000 ea
LC0181	CONNECTION LABEL	1.000 ea
NP2033XPSLEV	SS XP INV UL CSA-EEV CC CL-I GP-C&D	1.000 ea
14PA1000	PACKAGING 314 GROUP COMBINED PRINT	1.000 ea
MN416A01	TAG-INSTAL-MAINT no wire (2100bx)4/22	1.000 ea

AC Induction Motor Performance Data

Record # 43813

Typical performance - not guaranteed values

Winding: 12WGY276-R023		Type: 1254M	Enclosure: XPFC		
Nameplate Data			460 V, 60 Hz: High Voltage Connection		
Rated Output (HP)	40	Full Load Torque	118 LB-FT		
Volts	230/460	Start Configuration	direct on line		
Full Load Amps	96/48	Breakdown Torque	386 LB-FT		
R.P.M.	1775	Pull-up Torque	193 LB-FT		
Hz	60 Phase	3	Locked-rotor Torque	216 LB-FT	
NEMA Design Code	A	KVA Code	H	Starting Current	338 A
Service Factor (S.F.)	1	No-load Current	19.9 A		
NEMA Nom. Eff.	94.1	Power Factor	82	Line-line Res. @ 25°C	0.14898 Ω
Rating - Duty	40C AMB-CONT		Temp. Rise @ Rated Load	54°C	
			Locked-rotor Power Factor	27	
			Rotor inertia	7.19 LB-FT ²	

Load Characteristics 460 V, 60 Hz, 40 HP

% of Rated Load	25	50	75	100	125	150
Power Factor	47	69	78	83	85	85
Efficiency	90.1	93.5	94.2	94.2	93.8	93.1
Speed	1793.5	1788	1782.5	1776.6	1770.7	1764.1
Line amperes	22.9	29.5	38.4	48.1	59.2	70.8

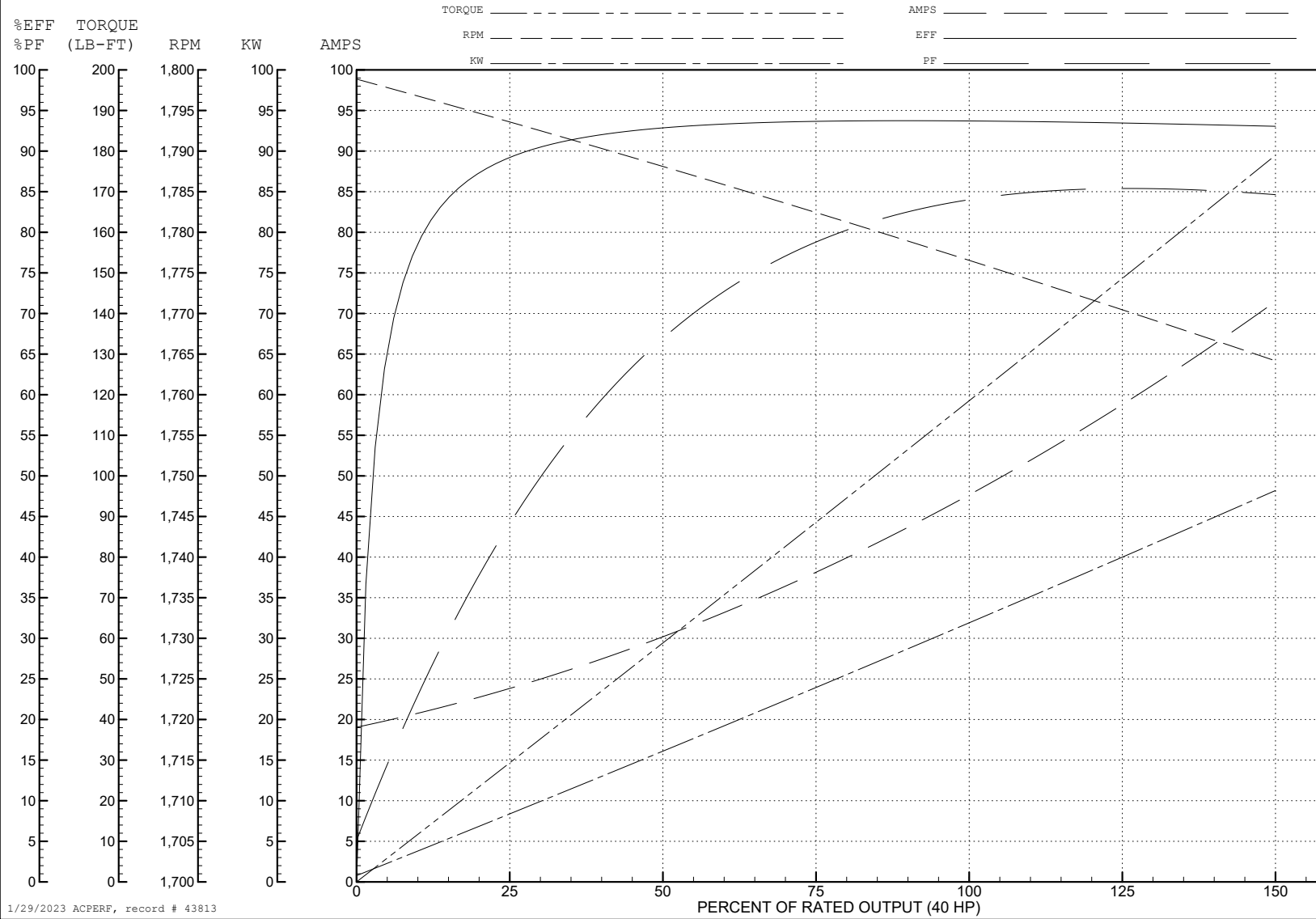
ABB Motors and Mechanical Inc.

WINDING # 12WGY276

40 HP 3 PH 60 HZ 1775 RPM 460 V 1254M

Typical performance - not guaranteed values.

TORQUES (LB-FT): PO=386 PU=193 LR=216 LRA=338



1/29/2023 ACPERF, record # 43813

AC Induction Motor Performance Data

Record # 75684

Typical performance - not guaranteed values

Winding: 12WGY276-R040		Type: 1254M	Enclosure: XPFC			
Nameplate Data			380 V, 50 Hz: High Voltage Connection			
Rated Output (HP)	40//30		Full Load Torque	107 LB-FT		
Volts	230/460//190/380		Start Configuration	direct on line		
Full Load Amps	96/48//90/45		Breakdown Torque	383 LB-FT		
R.P.M.	1775//1480		Pull-up Torque	208 LB-FT		
Hz	60//50	Phase	3	Locked-rotor Torque	233 LB-FT	
NEMA Design Code	A		KVA Code	H	Starting Current	340 A
Service Factor (S.F.)	1				No-load Current	20.49 A
NEMA Nom. Eff.	94.1	Power Factor	82		Line-line Res. @ 25°C	0.145 Ω
Rating - Duty	40C		AMB-CONT		Temp. Rise @ Rated Load	47°C
S.F. Amps					Temp. Rise @ S.F. Load	57°C
					Locked-rotor Power Factor	30.4
					Rotor inertia	7.19 LB-FT ²

Load Characteristics 380 V, 50 Hz, 30 HP

% of Rated Load	25	50	75	100	125	150
Power Factor	42	65	75	81	83	85
Efficiency	89.7	93.3	94	94	93.5	92.5
Speed	1495	1489	1485	1479	1474	1469
Line amperes	22.95	28.58	36.28	44.78	54.64	64.99

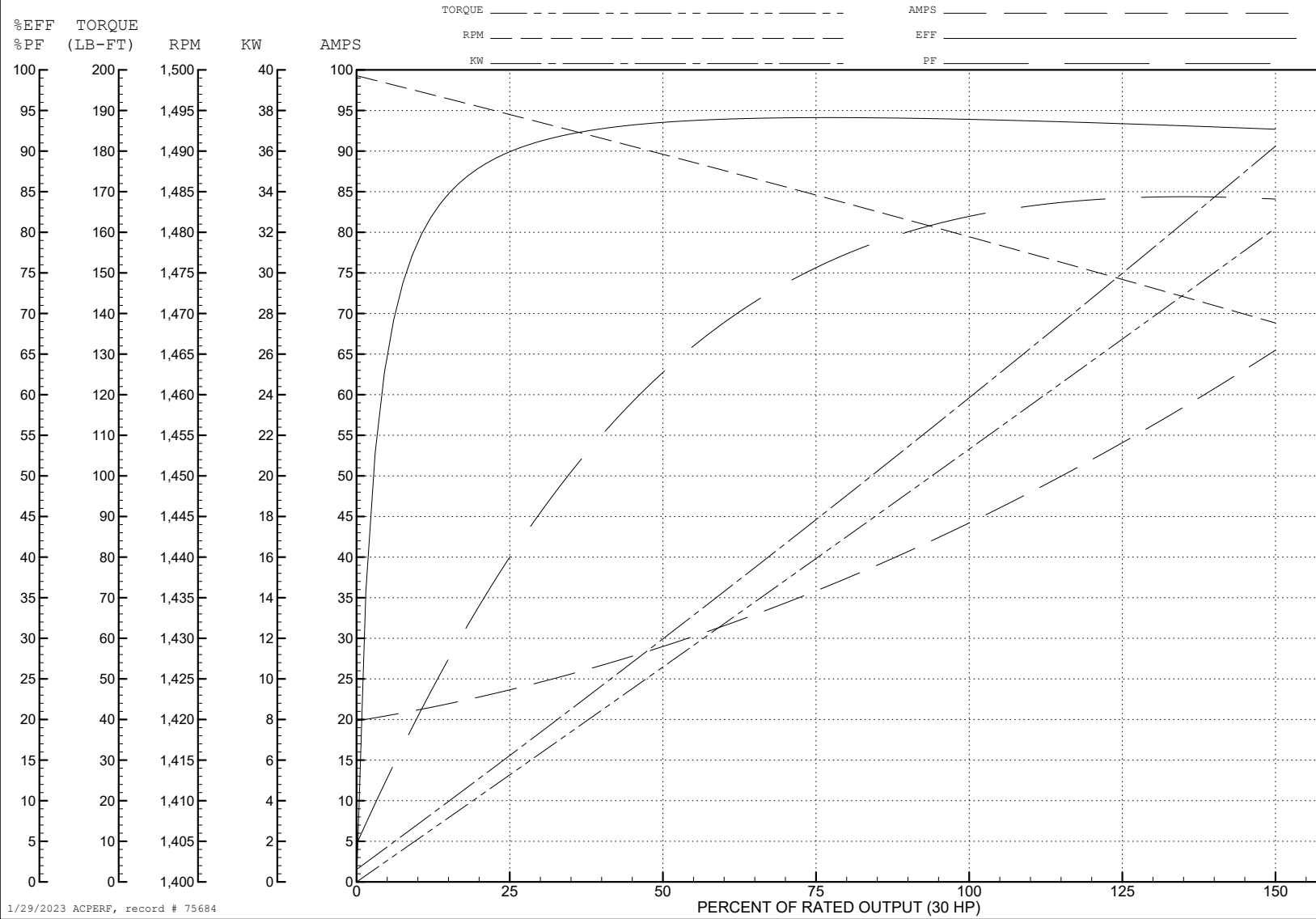
ABB Motors and Mechanical Inc.

WINDING # 12WGY276

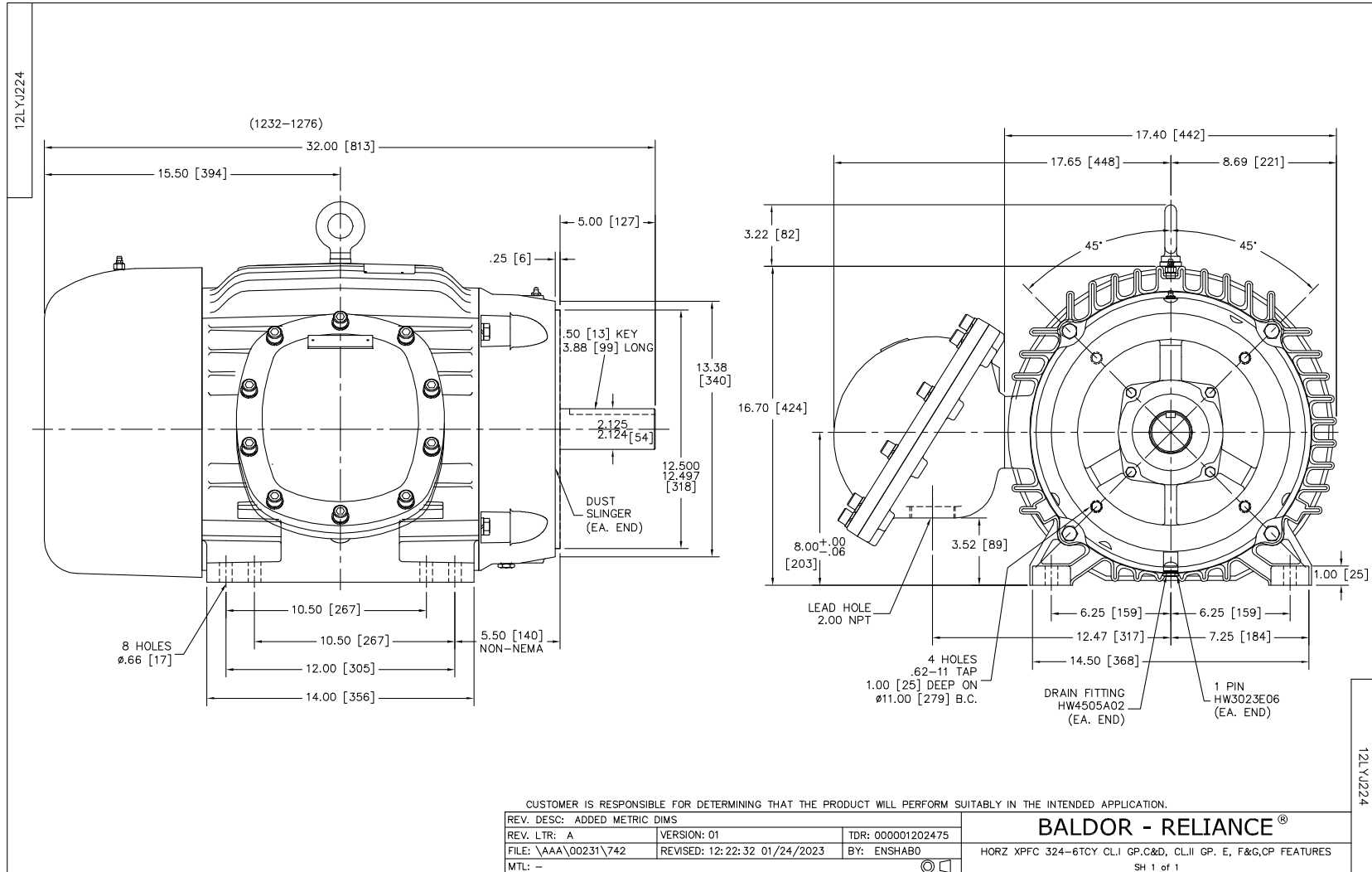
30 HP 3 PH 50 HZ 1479 RPM 380 V 1254M

Typical performance - not guaranteed values.

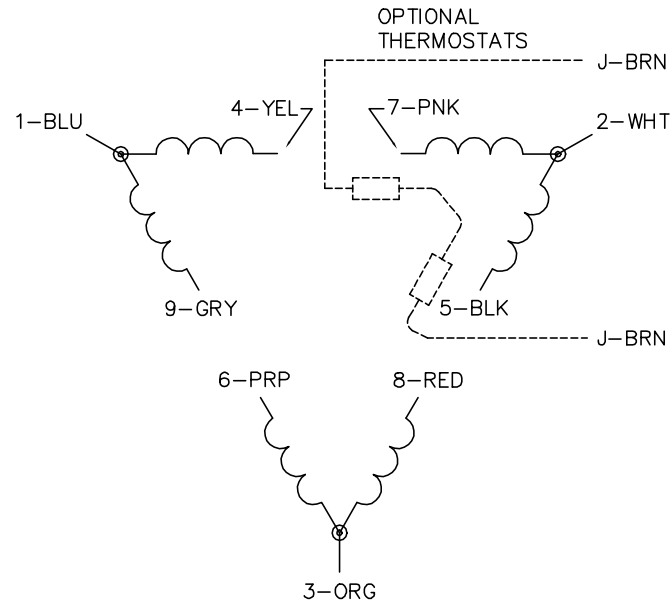
TORQUES (LB-FT): PO=383 PU=208 LR=233 LRA=340



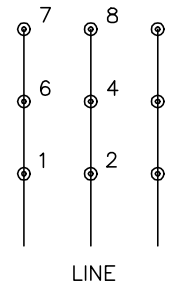
1/29/2023 ACPERF, record # 75684



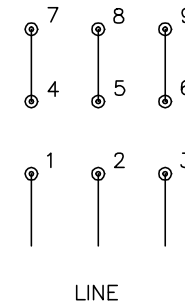
CD0180



LOW VOLTAGE
(2D)



HIGH VOLTAGE
(1D)



NOTES:

1. INTERCHANGE ANY TWO LINE LEADS TO REVERSE ROTATION.
2. OPTIONAL THERMOSTATS ARE PROVIDED WHEN SPECIFIED.
3. ACTUAL NUMBER OF INTERNAL PARALLEL CIRCUITS MAY BE A MULTIPLE OF THOSE SHOWN ABOVE.
4. LEAD COLORS ARE OPTIONAL. LEADS MUST ALWAYS BE NUMBERED AS SHOWN.

CD0180

REV. DESC: ADD CLASS CONN00000007		
REV. LTR: D	VERSION: 01	TDR: 000001099922
FILE: \AAA\00005\148	REVISED: 10: 25: 29 02/19/2019	BY: ENBRIRO
MTL: -	© □	

BALDOR - RELIANCE®

3PH, DV, 9 LEADS, DELTA CONNECTION

SH 1 of 1