

BALDOR® • RELIANCE 

Product Information Packet

CDPWD3605

5HP,1750RPM,DC,1810ATC,3681P,TEFC,F1

Part Detail							
Revision:	AU	Status:	PRD/A	Change #:		Proprietary:	No
Type:	DC	Prod. Type:	3681P	Elec. Spec:	36WGZ509	CD Diagram:	CD0194
Enclosure:	TEFC	Mfg Plant:		Mech. Spec:	36P128	Layout:	36LYP128
Frame:	182ATC	Mounting:	F1	Poles:	00	Created Date:	
Base:	RG	Rotation:	R	Insulation:	F	Eff. Date:	04-20-2022
Field Type:		Literature:		Elec. Diagram:		Replaced By:	

Specs			
Enclosure:	TEFC		
Frame:	1810ATC		
Frame Material:	Steel		
XP Class and Group:	None		
Agency Approvals:	CE		
	CSA		
	UR		
	WEEE		
Base Indicator:	Rigid		
Bearing Grease Type:	Polyrex EM (-20F +300F)		
Drip Cover:	No Drip Cover		
Duty Rating:	CONT		
Feedback Device:	NO FEEDBACK		
Heater Indicator:	No Heater		
Insulation Class:	F		
Lifting Lugs:	Standard Lifting Lugs		

Motor Lead Quantity/Wire Size:	2 @ 12 AWG, A		
Motor Lead Exit:	Ko Box		
Motor Lead Termination:	Flying Leads		
Mounting Arrangement:	F1		
Product Family:	Wash Down		
Pulley End Bearing Type:	Sealed Bearing		
Shaft Extension Location:	Pulley End		
Shaft Ground Indicator:	No Shaft Grounding		
Shaft Rotation:	Reversible		
Shaft Slinger Indicator:	Shaft Slinger		
Motor Standards:	NEMA		
XP Division:	Not Applicable		

Nameplate NP1509			
CAT.NO.	CDPWD3605		
SPEC.	36P128Z509		
HP	5/KW3.73	ENCL	TEFC
RPM	1750		
FRAME	1810ATC	TYPE	3681P
ARM V	180	ARM A	24.5
FLD V		FLD A	
INSUL	F	AMB.	40
DUTY	CONT	SUPPLY	K
BRG/DE	6206	BRG/ODE	6206
BRUSHES	2/BP5027A01		
SER.		BLANK	
BLANK	IP55 KG 71		
APRV-CSA	Y <input type="checkbox"/>	APRV-UL	Y <input type="checkbox"/>
		APRV-CE	Y <input type="checkbox"/>

Parts List		
Part Number	Description	Quantity
SA043652	SA 36P128Z509	1.000 EA
AA005127	AA 36P128Z509	1.000 EA
BP5027A01SP	BRUSH ASSY, GRADE E45 180 VOLTS	1.000 EA
BP5028	BRUSH SPRING FOR 36DC/PM MOTORS	2.000 EA
HW3201A05	3/8-16 EYEBOLT	1.000 EA
XY2520A11	254-20 SQUARE NUT	2.000 EA
36CB3000A39W	CONDUIT BOX MACH'G .50 N.P.T.	1.000 EA
36GS1000A01	GASKET - CONDUIT BOX 35 & 36 PM FRAME	1.000 EA
51XB1016A07	10-16 X 7/16 HXWSSLD SERTYB	2.000 EA
WD4100A05	DP-1093 HEYCO PLUG OR 62MP1093 MICOR PL	1.000 EA
35CB4514WP	CB LID LIPPED, WHITE PRIMER POWDER COAT	1.000 EA
11XW1032G06	10-32 X .38, TAPTITE II, HEX WSHR SLTD U	1.000 EA
HW3001B02	BRASS CUP WASHER W/GROUND SYMBOL TAB,	1.000 EA
36EP3402A04WP	FREP, MACH, WHITE PRIMER POWDER COAT	1.000 EA
HW4032A01	BLACK DRAIN PLUG FOR WASH DOWN MOTORS	3.000 EA
26XW1032A08	10-32 X 1/2 PHILLIPS HEAD TAPTITE-II (SI	4.000 EA
HW4600B50	SEAL 1.156 X 1.874 X 0.250 SINGLE LIP DB	1.000 EA
HW4600B36SP	V-RING SLINGER 1.188 X 1.690 X .24 VITON	2.000 EA
HW5100A06	W2420-025 WVY WSHR (WB)	1.000 EA
HW5010U49	RET. RING 5100-143 TRU ARC	1.000 EA
36EP3302A02WP	PUEP, MACH, WHITE PRIMER POWDER COAT	1.000 EA
HW4032A01	BLACK DRAIN PLUG FOR WASH DOWN MOTORS	3.000 EA
10XN2520S28	1/4-20X 1 3/4 HEX HD SS X	4.000 EA
HW4600B50	SEAL 1.156 X 1.874 X 0.250 SINGLE LIP DB	1.000 EA

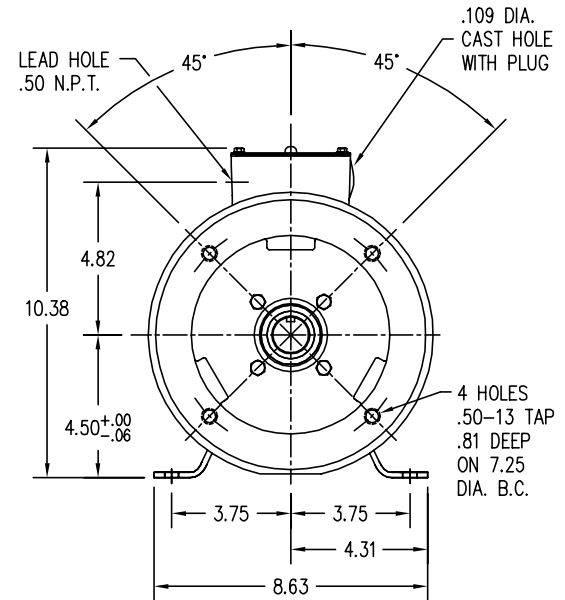
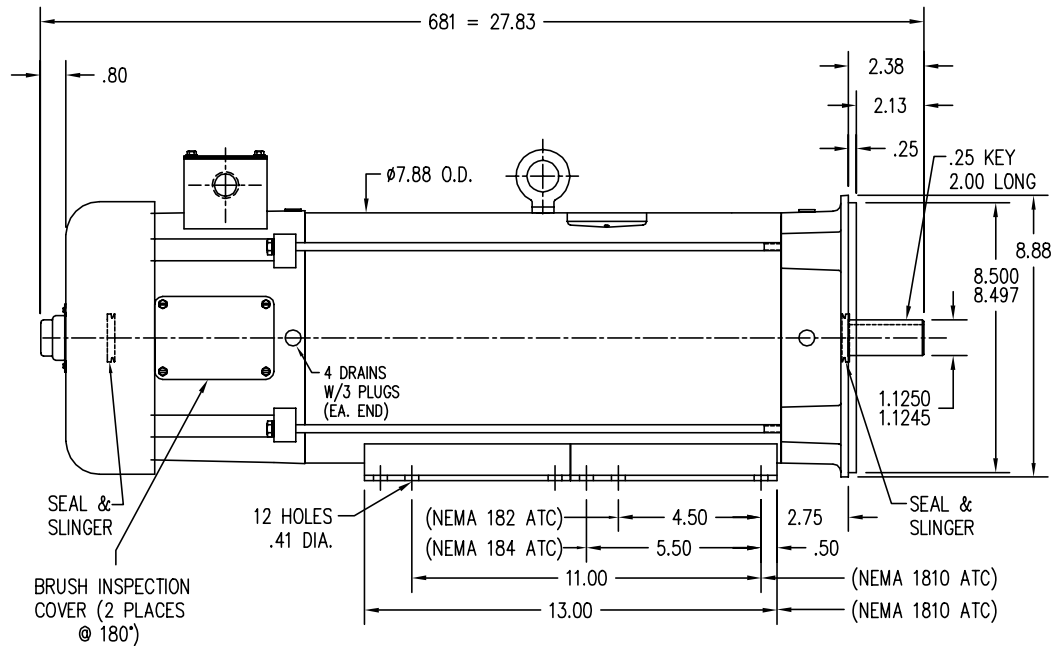
Parts List (continued)		
Part Number	Description	Quantity
36FN3000A01SP	EXFN, PLASTIC, 7.00 OD, .912 ID	1.000 EA
51XB1214A16	12-14X1.00 HXWSSLD SERTYB	1.000 EA
36FH5000A11W	36FH5000A11 W/WHT EPOXY	1.000 EA
11XW1032S06	10-32 X .38, TAPTITE II, HEX WSHR SLTD U	3.000 EA
WD4100A05	DP-1093 HEYCO PLUG OR 62MP1093 MICOR PL	1.000 EA
36GS1001A05	GASKET - CONDUIT BOX LID 36 FRAME	1.000 EA
59XW0832S07	TAPTITE II,HEX WSHR UNSLTD SER,410 S.S.,	4.000 EA
36CB4500WSP	CONDUIT BOX LID, STAMPED W/WHITE EPOXY	2.000 EA
36GS1001A08	GASKET, CONDUIT BOX LID WHITE NON-CONDUCT	2.000 EA
59XW0832S07	TAPTITE II,HEX WSHR UNSLTD SER,410 S.S.,	8.000 EA
HW2502E16	#303 SS,SQ KEY 1/4 X 1.750	1.000 EA
HA7000A02	KEY RETAINER RING, 1 1/8 DIA, 1 3/8 DIA	1.000 EA
MJ5001A27	32220KN GRAY SEALER *MIN BUY 4 QTS=1GAL	0.005 QT
LB1115N	LABEL,LIFTING DEVICE (ON ROLLS)	1.000 EA
LB1164	LABEL,WARNING AND DRAIN	1.000 EA
MG1025W01	WILKOFAS, 781.01, SIGNAL WHITE #9003	0.019 GA
MG1500Y02	WILKOPON PRIMER YELLOW	0.019 GA
85XU0407S04	4X1/4 U DRIVE PIN STAINLESS	2.000 EA
HA3101S48	THRUBOLT- 1/4-20X16.75 SS	4.000 EA
MN416A01	TAG-INSTAL-MAINT no wire (2200bx) 4/22	1.000 EA
MG5010A01	TRICKLE VARNISH (PEDIGREE 600 S)	0.005 GA
MG5010Z01	488 (TPB) CATALYST	0.001 LB
36RK5008A01	ROCKERARM ASSY-GRADE E45	1.000 EA
LC0194	CONNECTION LABEL	1.000 EA

Product Information Packet: CDPWD3605 - 5HP,1750RPM,DC,1810ATC,3681P,TEFC,F1

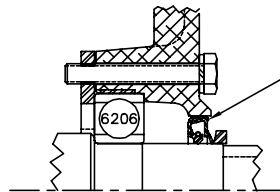
NP1509	DC, WD, UL CE CSA, W/O THERMAL	1.000 EA
37PA1039	PALLET PACK GROUP, BLANK PK1148	1.000 EA
LB1451	WARNING LABEL, CE WARNING SYMBOLS ONLY	1.000 EA
LB1617	UKCA COMPLIANCE STICKER	1.000 EA

No performance data has been
assigned to this product.

36LYP128



PULLEY END
DETAIL



APPLY COAT OF RED SEALER
UNDER RETAINER RING BOLT
HEAD & AROUND SEAL HOUSING
BEFORE PRESSING IN SEAL.

CUSTOMER IS RESPONSIBLE FOR DETERMINING THAT MOTOR PERFORMANCE IS SUITABLE IN THE APPLICATION.

REV. DESC: SHOW CAST HOLE & PLUG IN KOBX, REMOVE DRAIN LABEL

REV. LTR: H BY: MAW REVISED: 10:04:06 01/13/2005 TDR: 353653

36LYP128

FILE: AAA00019513

REF: 36LYP128

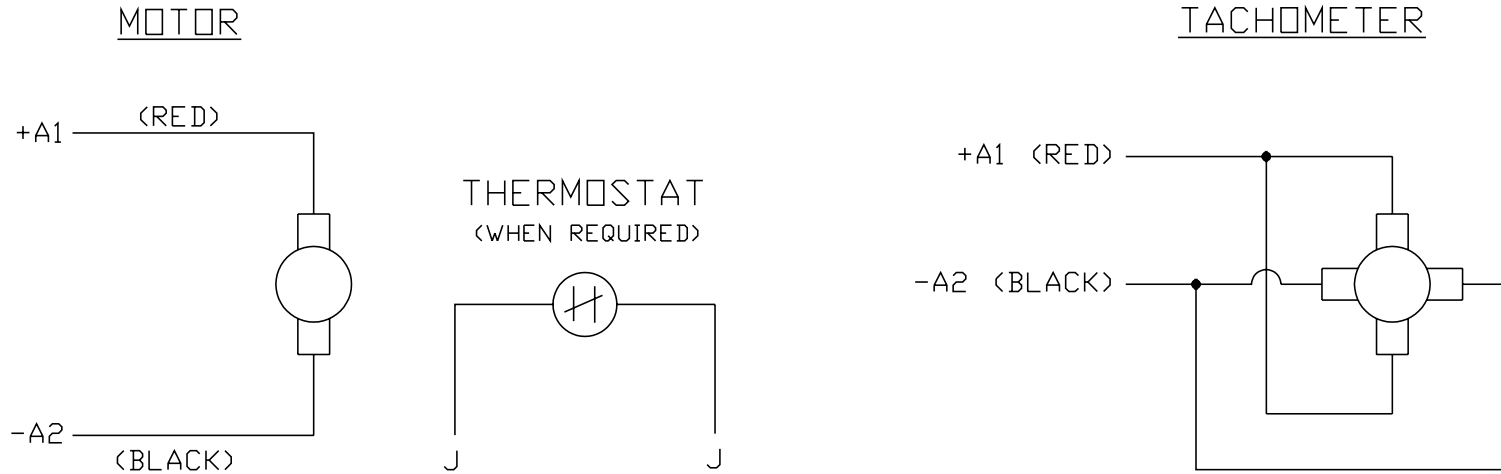
MTL: -

BALDOR ELECTRIC Co.

STD HORZ "ATC" TEFC 36PM TYPE 681 PM 182-4ATC,1810ATC,MFTK

36LYP128

CD0194



NOTES:

1. CCW ROTATION AS SHOWN FACING COMMUTATOR END. TO REVERSE MOTOR ROTATION OR TACHOMETER OUTPUT POLARITY INTERCHANGE LEADS A1(RED) & A2(BLACK)
2. LEAD COLORS FOR REFERENCE ONLY & NOT SPECIFIED BY THIS DRAWING. LEAD COLORS SPECIFIED BY LAYOUT DRAWING & BILL OF MATERIAL ONLY.

MATL: -			
REV: E	ADDED NOTE "LEAD COLORS FOR REFERENCE ONLY &..."		
CD0194	SCALE: -	BY: CK	REVISED: 07/28/95
	FILE: AAA00004503	TDR: 0078737	

BALDOR ELECTRIC Co.

CD TYPE P DC PERMANENT MAGNET MOTORS AND TACHOMETERS

CD0194