

BALDOR • RELIANCE

Customer information packet

CECG352050T

CECG352050T 230VAC, 5HP, 3600RPM

Specifications

Enclosure	TENV
Nameplate Speed	3600
Agency Approvals	CSA UR
Base Indicator	Rigid
Dimensional Drawing Numbers	35LYP1160
Frame	184TC
Frame Material	Steel
Motor Lead Quantity/Wire Size	3 @ 14 AWG
Motor Standards	NEMA
Mounting Arrangement	F1
Nameplate Output	5
Shaft Rotation	Reversible
Thermal Device - Winding	Normally Closed Thermostat

Part detail

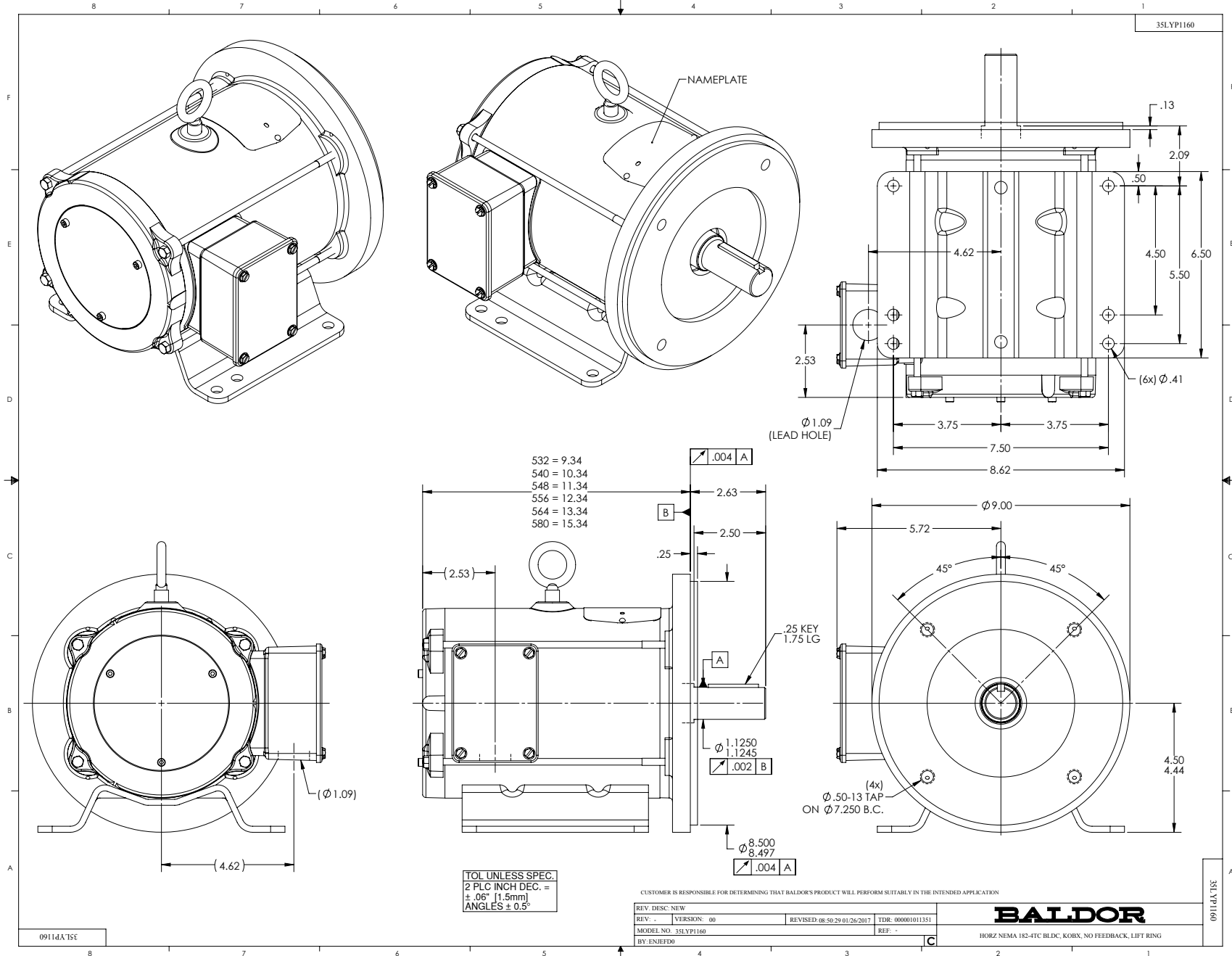
Revision	C
Type	AC
Mech. spec.	35P1160
Base	
Status	PRD/A
Elec. spec.	35WGM127
Layout	35LYP1160
Eff. date	08-16-2022
CD Diagram	CD0006A02
Poles	08
Leads	3#14
Proprietary	False
Created date	01-31-2017

Nameplate

NP3620L			
CAT.NO.	CECG352050T		
SPEC.	35P1160M127G1		
HP	5	RPM	3600
FRAME	184TC	SER.F.	1.00
AC VOLTS	230		
MOT NOM CURRENT	12.78		
MOT NOM FREQ	240		
BEMF	210.6		
CLASS	F	AMB	25
DUTY	CONT	ENCL	TENV
DE	6207	ODE	6205
SN			

Parts list

Part number	Description	Quantity
SA333481	SA 35P1160M127G1	1.000 ea
RA321607	RA 35P1160M127G1	1.000 ea
HW3200A01	3/8-16X3/4 I-BLT WELDED F/S	1.000 ea
35CB3009	35 CB W/1.09 DIA. LEAD HOLE @ 6:	1.000 ea
36GS1000SP	GASKET-CONDUIT BOX, .06 THICK #SV-330 LE	1.000 ea
51XB1016A07	10-16 X 7/16 HXWSSLD SERTYB	2.000 ea
11XW1032G06	10-32 X .38, TAPTITE II, HEX WSHR SLTD U	1.000 ea
35EP2108A16	BLDC FREP, NO FEEDBACK, 33CB4507 MTG	1.000 ea
33CB4507	COVER- 33 TACH. ADAP(CLOWTDR 10478 ORDER	1.000 ea
84YN0040J010	4MM X 10MM SHCS	3.000 ea
HW1021A04	WASHER, M4 SPLIT LOCK	3.000 ea
HW5100A07	W2816-030 WVY WASHER (WB)	3.000 ea
RB4000A07	205 BRG. RETAINER MACH. 3 SCREWS	1.000 ea
51XN1032A20	10-32 X 1 1/4 HX WS SL SR	2.000 ea
35EP2110A02	BSM6 PUEP NEMA 182-4TC	1.000 ea
HW2501E16	KEY, 1/4 SQ X 1.750	1.000 ea
HA7000A02	KEY RETAINER RING, 1 1/8 DIA, 1 3/8 DIA	1.000 ea
35CB4521	35 LIPPED CB LID (GALV & PHOSPH)	1.000 ea
35GS1030	35 GS FOR CB LID - LEXIDE	1.000 ea
51XW0832A07	8-32 X .44, TAPTITE II, HEX WSHR SLTD SE	4.000 ea
85XU0407S04	4X1/4 U DRIVE PIN STAINLESS	2.000 ea
BG6207E03	6207 D.SL,C3,POLYREX EM	1.000 ea
MG1000Y03	MUNSELL 2.53Y 6.70/ 4.60, GLOSS 20,	0.018 ga
LB1119N	WARNING LABEL	1.000 ea
NP3620L	ALUM EC GOLD UL CSA CC	1.000 ea
LB1115N	LABEL,LIFTING DEVICE (ON ROLLS)	1.000 ea
35PA1007	PKG GRP, PRINT PK1034A06	1.000 ea
PK3083	STYROFOAM PACKING CRADLE	1.000 ea
LB1417	LABEL CARTON 6X4 PERFORATED BLANK ROLLS	1.000 ea
PK3088	MICROFOAM, 8"X"8 PERF. SHEETS	1.000 ea



CD1212

MOTOR CONNECTIONS

FUNCTION	INTERNAL/EXTERNAL MARKINGS
GROUND	GREEN/YELLOW
U	BLACK OR T1
V	RED OR T2
W	BLUE OR T3
* THERMAL SWITCH	YELLOW OR BLUE
* THERMAL SWITCH	YELLOW OR BLUE
* BRAKE	BLACK
* BRAKE	BLACK

* WHEN REQUIRED

CD1212

REV. DESC: REMOVE "BSM90 & 100" FROM DESCRIPTION		
REV. LTR: C	VERSION: 02	TDR: 000001064992
FILE: \AAA\00043\247	REVISED: 01:04:07 03/20/2018	BY: ENJFDO
MTL: -	© □	

BALDOR - RELIANCE

WIRING DIAG - POWER LEADS ONLY, FOR MOTORS WITH FLYING LEADS
SH 1 of 1

CD0006A02



NOTES:

1. INTERCHANGE ANY TWO LINE LEADS TO REVERSE ROTATION.
2. ACTUAL NUMBER OF INTERNAL PARALLEL CIRCUITS MAY VARY.

REV. DESC: REMOVED "OPTIONAL" FROM PRINT, SERVO REQ'S T'STATS		
REV. LTR: D	VERSION: 03	TDR: 000000414937
CD0006A02	FILE: \AAA\00068\606	REVISED: 10:02:28 11/21/2006
	MTL: -	BY: ENJEFD0

BALDOR ELECTRIC Co.

3PH, SV, 3 LEADS, WYE CONNECTED

CD0006A02