



---

# Customer information packet

## CEM3661T-5

3HP, 1755RPM, 3PH, 60HZ, 182TC, 0632M, TEFC, F1

Class - None

Division - Not Applicable

## Specifications

Enclosure	TEFC
Frame	182TC
Frame Material	Iron
Frequency	60.00 Hz
Haz Area Class and Group	None
Haz Area Division	Not Applicable
Motor Letter Type	Three Phase
Output @ Frequency	3.000 HP @ 60 HZ
Phase	3
Synchronous Speed @ Frequency	1800 RPM @ 60 HZ
Voltage @ Frequency	575.0 V @ 60 HZ
Agency Approvals	CURUSEEV NEMA PREMIUM NEMA_PREMIUM UR CSA EEV
Ambient Temperature	40 °C
Auxillary Box	No Auxillary Box
Auxillary Box Lead Termination	None
Base Indicator	Rigid
Bearing Grease Type	Polyrex EM (-20F +300F)
Blower	None
Current @ Voltage	3.300 A @ 575.0 V
Design Code	B
Drip Cover	No Drip Cover
Duty Rating	CONT
Efficiency @ 100% Load	89.5 %
Electrically Isolated Bearing	Not Electrically Isolated
Feedback Device	NO FEEDBACK
Front Face Code	Standard
Front Shaft Indicator	None
Heater Indicator	No Heater

## Part detail

Revision	N
Type	AC
Mech. spec.	06F057
Base	
Status	PRD/A
Elec. spec.	06WGX319
Layout	06LYF057
Eff. date	02-26-2025
CD Diagram	CD0006
Poles	04
Leads	3#16
Proprietary	False
Created date	10-10-2011

High Voltage Full Load Amps	3.3 a
Insulation Class	F
Inverter Code	Inverter Ready
KVA Code	J
Lifting Lugs	Standard Lifting Lugs
Locked Bearing Indicator	Locked Bearing
Motor Lead Exit	Ko Box
Motor Lead Quantity/Wire Size	3 @ 16 AWG
Motor Lead Termination	Flying Leads
Motor Standards	NEMA
Motor Type	0632M
Mounting Arrangement	F1
Number of Poles	4
Overall Length	15.98 IN
Power Factor	77
Product Family	General Purpose
Pulley End Bearing Type	Ball
Pulley Face Code	C-Face
Pulley Shaft Indicator	Standard
Rodent Screen	None
Service Factor	1.15
Shaft Diameter	1.125 IN
Shaft Extension Location	Pulley End
Shaft Ground Indicator	No Shaft Grounding
Shaft Rotation	Reversible
Shaft Slinger Indicator	No Slinger
Speed	1755 rpm
Speed Code	Single Speed
Starting Method	Direct on line
Thermal Device - Bearing	None
Thermal Device - Winding	None
Vibration Sensor Indicator	No Vibration Sensor
Winding Thermal 1	None
Winding Thermal 2	None

**Nameplate**

<b>NP3441L</b>									
<b>CAT.NO.</b>	CEM3661T-5								
<b>SPEC.</b>	06F057X319G1								
<b>HP</b>	3								
<b>VOLTS</b>	575								
<b>AMP</b>	3.3								
<b>RPM</b>	1755								
<b>FRAME</b>	182TC		<b>HZ</b>	60		<b>PH</b>	3		
<b>SER.F.</b>	1.15	<b>CODE</b>	J	<b>DES</b>	B	<b>CL</b>	F		
<b>NEMA-NOM-EFF</b>	89.5	<b>PF</b>	77						
<b>RATING</b>	40C AMB-CONT								
<b>CC</b>	010A								
<b>DE</b>	6206		<b>ODE</b>	6205					
<b>ENCL</b>	TEFC	<b>SN</b>							
<b>VPWM INVERTER READY</b>									
<b>CT6-60H(10:1)VT3-60H(20:1</b>									
	SFA 3.5								

## Parts list

Part number	Description	Quantity
SA232423	SA 06F057X319G1	1.000 ea
RA219429	RA 06F057X319G1	1.000 ea
36FN3000C01SP	EXFN, PLASTIC, 5.25 OD, .912 ID	1.000 ea
HW3201A05	3/8-16 EYEBOLT	1.000 ea
06CB3000	BALDOR CONDUIT BOX CAST	1.000 ea
06GS1000	GASKET, CONDUIT BOX	1.000 ea
51XW2520A12	SCREW, HEX SER SLT HD, ZN, 1/4-20 X .75	2.000 ea
11XW1032G06	10-32 X .38, TAPTITE II, HEX WSHR SLTD U	1.000 ea
HW3001B01	BRASS CUP WASHER, FOR #10 SCREW	1.000 ea
36EP1101A21	FR ENDPLATE, MACH	1.000 ea
HW4500A01	1641B(ALEMITE)400 UNIV, GREASE FITT	1.000 ea
HW4500A17	317400 ALEMITE GREASE RELIEF	1.000 ea
HW5100A05	WVY WSHR F/205 & 304 BRGS	1.000 ea
36EP1300A13	PU ENDPLATE, MACH	1.000 ea
HW4500A01	1641B(ALEMITE)400 UNIV, GREASE FITT	1.000 ea
HW4500A17	317400 ALEMITE GREASE RELIEF	1.000 ea
10XN2520A26	1/4-20X 1 5/8 HEX HD	4.000 ea
HW1001A25	LOCKWASHER 1/4, ZINC PLT .493 OD, .255 I	4.000 ea
HA3101A34	THRUBOLT- 1/4-20 X 10.375	4.000 ea
51XB1214A16	12-14X1.00 HXWSSLD SERTYB	1.000 ea
36FH4009A31	IEC FH W/GREASER & SPL NOTCH, W/ PRIMER	1.000 ea
51XW1032A06	10-32 X .38, TAPTITE II, HEX WSHR SLTD S	3.000 ea
06CB3500	BALDOR CONDUIT BOX LID	1.000 ea
06GS1001	BALDOR CONDUIT BOX GASKET	1.000 ea
51XW2520A12	.25-20 X .75, TAPTITE II, HEX WSHR SLTD	2.000 ea
HW2501E16	KEY, 1/4 SQ X 1.750	1.000 ea
HA7000A02	KEY RETAINER RING, 1 1/8 DIA, 1 3/8 DIA	1.000 ea
85XU0407S04	4X1/4 U DRIVE PIN STAINLESS	2.000 ea
LB1624	COMBINED WARNING LABEL, ISO/ANSI PICTOGR	1.000 ea
MJ1000A02	GREASE, POLYREX EM EXXON	0.050 lb
MG1050Y01	CELEROL BALDOR GOLD *** NLA IN 5 GALLON	0.028 ga

LC0006	CONNECTION LABEL	1.000 ea
NP3441L	ALUM SUPER-E VPWM INVERTER READY UL EEV	1.000 ea
36PA1001	PKG GRP, PRINT PK1017A06	1.000 ea
MN416A01	TAG-INSTAL-MAINT no wire (2500bx)4/22	1.000 ea
FE-0000001	ZRTG FE ASSEMBLY	1.000 ea
PE-0000001	ZRTG PE ASSEMBLY	1.000 ea

**AC Induction Motor Performance Data**

Record # 75292

Typical performance - not guaranteed values

Winding: 06WGX319-R001		Type: 0632M	Enclosure: TEFC
<b>Nameplate Data</b>		<b>460 V, 60 Hz: Single Voltage Motor</b>	
Rated Output (HP)	3	Full Load Torque	9.17 LB-FT
Volts	575	Start Configuration	direct on line
Full Load Amps	3.3	Breakdown Torque	20.9 LB-FT
R.P.M.	1755	Pull-up Torque	11.4 LB-FT
Hz	60 Phase	Locked-rotor Torque	12.71 LB-FT
NEMA Design Code	B KVA Code	Starting Current	18.81 A
Service Factor (S.F.)	1.15	No-load Current	1.29 A
NEMA Nom. Eff.	89.5 Power Factor	Line-line Res. @ 25°C	6.2 Ω
Rating - Duty	40C AMB-CONT	Temp. Rise @ Rated Load	41°C
S.F. Amps		Temp. Rise @ S.F. Load	54°C
		Locked-rotor Power Factor	41.1
		Rotor inertia	0.298 LB-FT <sup>2</sup>

**Load Characteristics 460 V, 60 Hz, 3 HP**

% of Rated Load	25	50	75	100	125	150	S.F.
Power Factor	54	74	81	84	85	84	85
Efficiency	86.9	89.6	89.6	88.1	86.2	83.1	87
Speed	1785	1769	1753	1734	1711	1684	1720
Line amperes	1.57	2.17	2.94	3.81	4.83	6.1	4.42

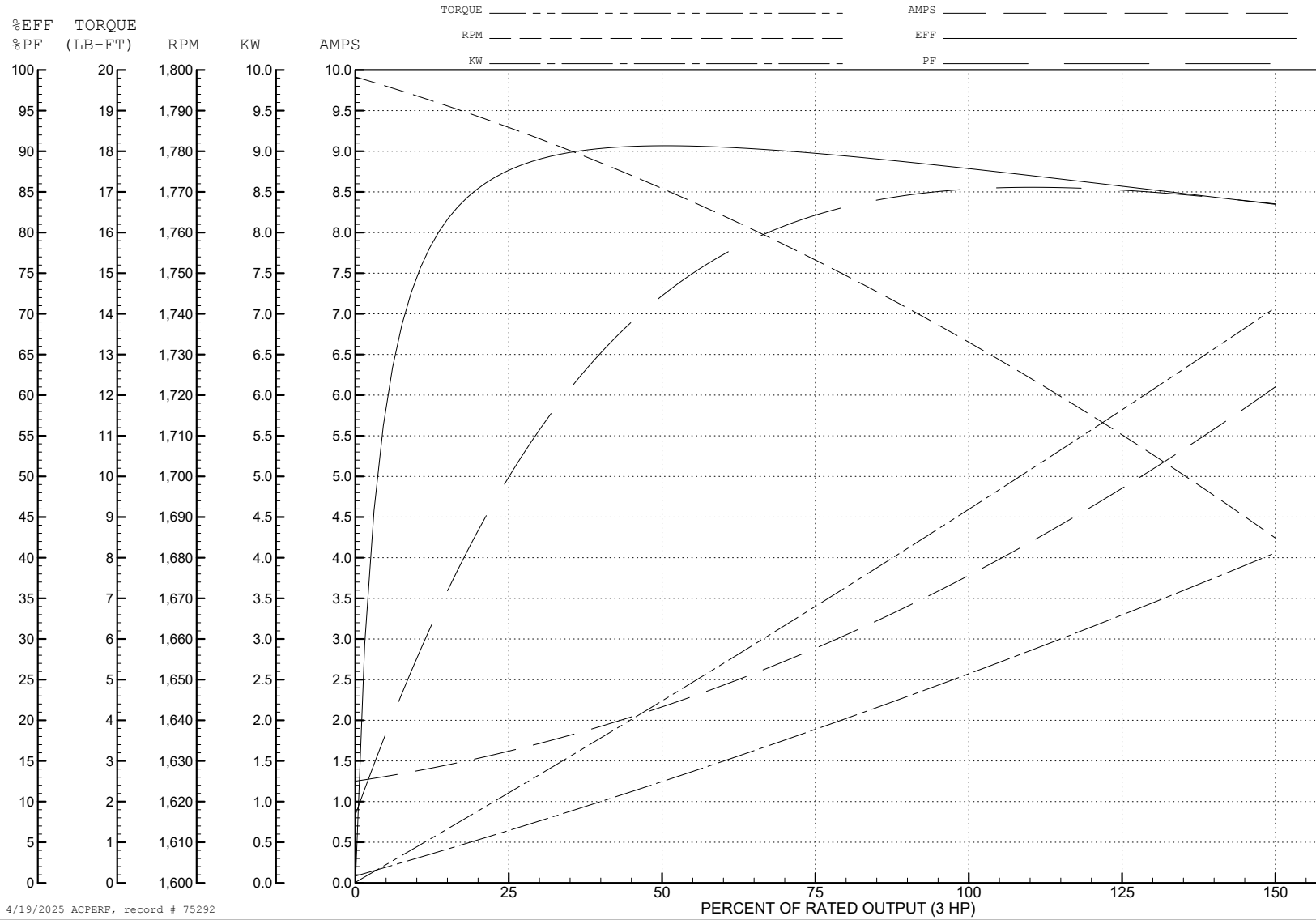
ABB Motors and Mechanical Inc.

WINDING # 06WGX319

3 HP 3 PH 60 HZ 1755 RPM 460 V 0632M

Typical performance - not guaranteed values.

TORQUES (LB-FT): PO=20.9 PU=11.4 LR=12.71 LRA=18.81



4/19/2025 ACPERF, record # 75292



**AC Induction Motor Performance Data**

Record # 84796

Typical performance - not guaranteed values

Winding: 06WGX319-R001		Type: 0632M		Enclosure: TEFC			
<b>Nameplate Data</b>			<b>575 V, 60 Hz: Single Voltage Motor</b>				
Rated Output (KW)	2.2	Full Load Torque	12.21 N-M				
Volts	575	Start Configuration	direct on line				
Full Load Amps	3.3	Breakdown Torque	28.35 N-M				
R.P.M.	1755	Pull-up Torque	15.46 N-M				
Hz	60 Phase	3	Locked-rotor Torque	17.23 N-M			
NEMA Design Code	B	KVA Code	J	Starting Current	18.81 A		
Service Factor (S.F.)	1.15	No-load Current	1.29 A				
NEMA Nom. Eff.	89.5	Power Factor	77	Line-line Res. @ 25°C	6.2 Ω		
Rating - Duty	40C AMB-CONT		Temp. Rise @ Rated Load	40°C			
S.F. Amps			Temp. Rise @ S.F. Load	48°C			
			Locked-rotor Power Factor	41.5			
			Rotor inertia	0.0126 kg-m <sup>2</sup>			

**Load Characteristics 575 V, 60 Hz, 2.2 KW**

% of Rated Load	25	50	75	100	125	150	S.F.
Power Factor	43	59	65	67	68	67	68
Efficiency	86.7	89.8	89.5	88.1	86.3	83.1	87
Speed	1785	1769	1753	1735	1713	1685	1722
Line amperes	1.56	2.16	2.91	3.76	4.75	6	4.35

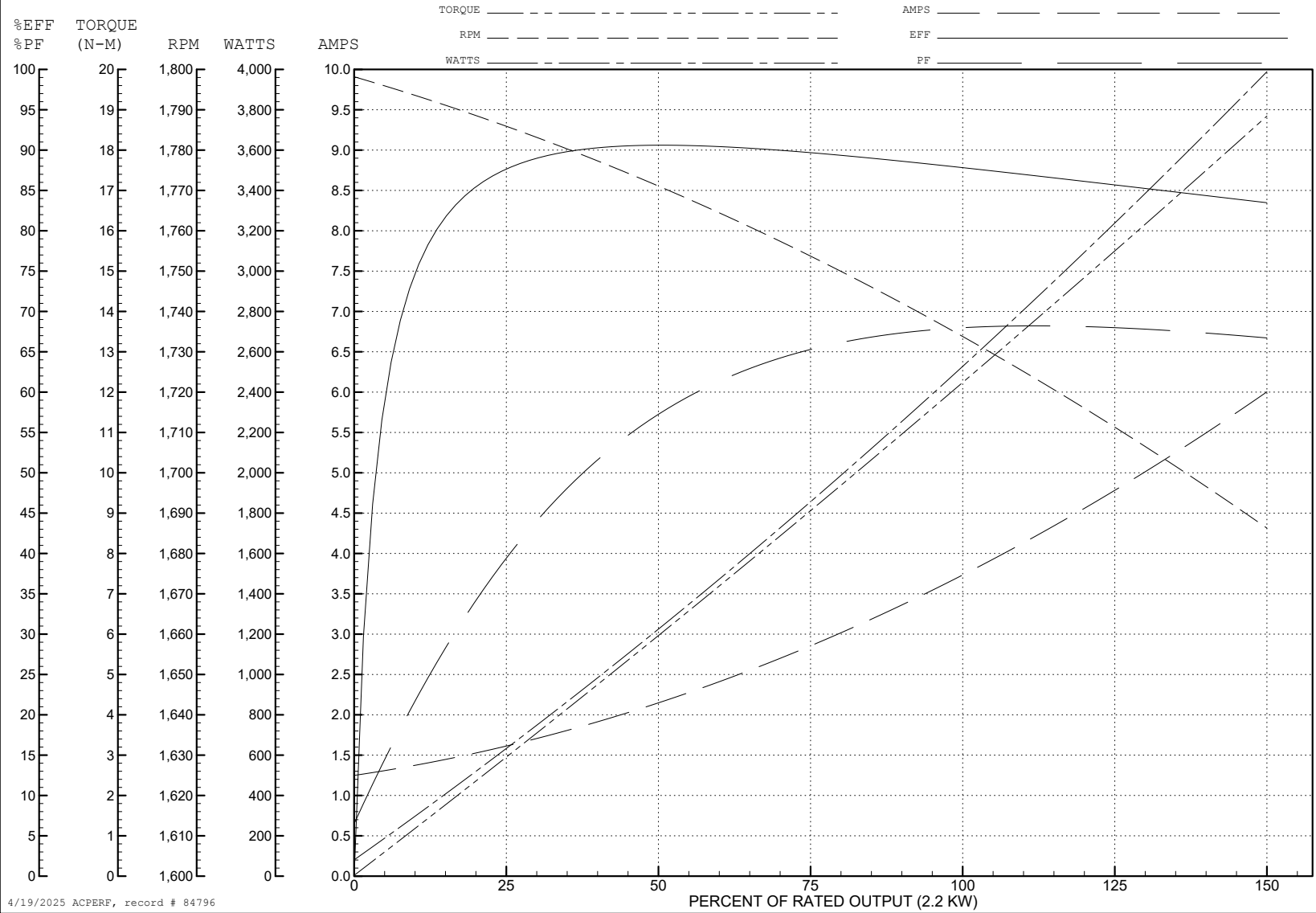
ABB Motors and Mechanical Inc.

WINDING # 06WGX319

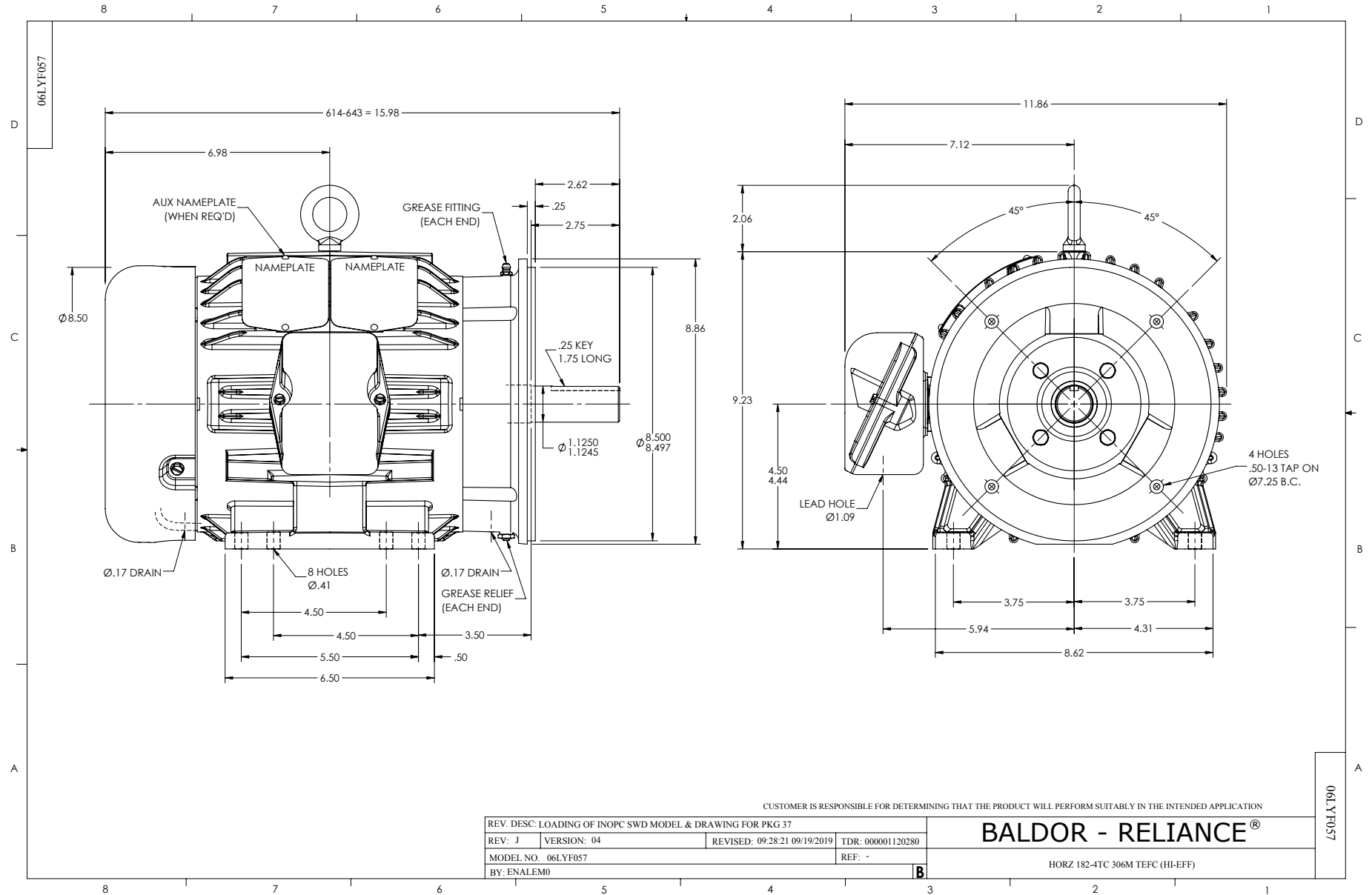
Typical performance - not guaranteed values.

2.2 KW 3 PH 60 HZ 1755 RPM 575 V 0632M

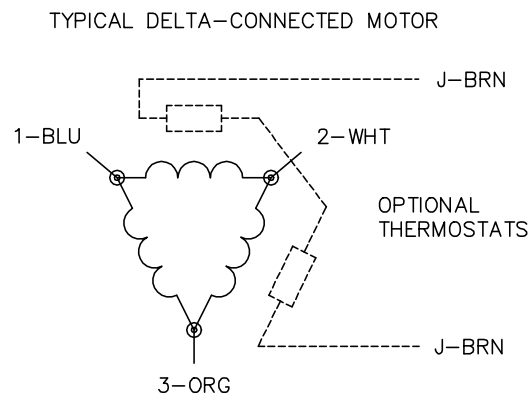
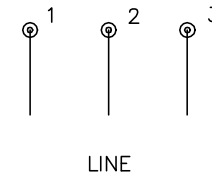
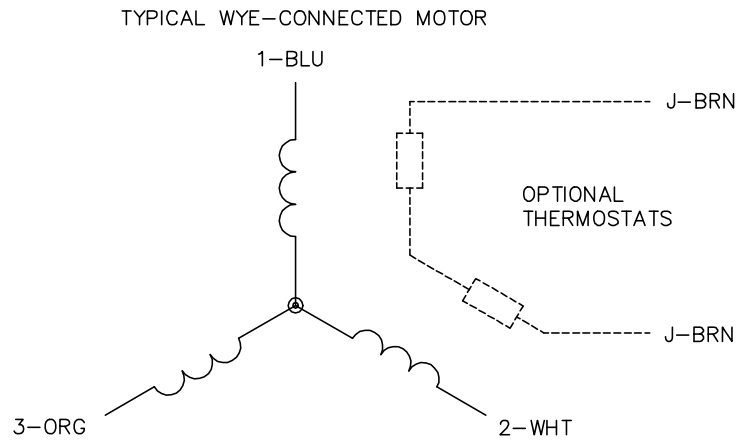
TORQUES (N-M) : PO=28.35 PU=15.46 LR=17.23 LRA=18.81



4/19/2025 ACPERF, record # 84796



CD0006



NOTES:

1. THREE LEAD MOTOR MAY BE EITHER WYE CONNECTED OR DELTA CONNECTED.
2. INTERCHANGE ANY TWO LINE LEADS TO REVERSE ROTATION.
3. OPTIONAL THERMOSTATS ARE PROVIDED WHEN SPECIFIED.
4. ACTUAL NUMBER OF INTERNAL PARALLEL CIRCUITS MAY VARY.
5. LEAD COLORS ARE OPTIONAL. LEADS MUST BE NUMBERED AS SHOWN.

CD0006

REV. DESC: ADD CLASS CONN00000007		
REV. LTR: E	VERSION: 01	TDR: 000001099922
FILE: \AAA\00005\141	REVISED: 10:24:49 02/19/2019	BY: ENBRIRO
MTL: -	© □	

**BALDOR - RELIANCE®**

3PH, SV, 3 LEADS, WYE OR DELTA CONNECTED

SH 1 of 1