



Customer information packet

CEM3711T-5

10HP, 3490RPM, 3PH, 60HZ, 215TC, 3728M, TEFC, F

Class - None

Division - Not Applicable

Specifications

| | |
|--------------------------------|---|
| Enclosure | TEFC |
| Frame | 215TC |
| Frame Material | Steel |
| Frequency | 60.00 Hz |
| Motor Letter Type | Three Phase |
| Output @ Frequency | 10.000 HP @ 60 HZ |
| Phase | 3 |
| Synchronous Speed @ Frequency | 3600 RPM @ 60 HZ |
| Voltage @ Frequency | 575.0 V @ 60 HZ |
| XP Class and Group | None |
| XP Division | Not Applicable |
| Agency Approvals | CSA EEV CURUSEEV NEMA PREMIUM NEMA_PREMIUM UR |
| Ambient Temperature | 40 °C |
| Auxillary Box | No Auxillary Box |
| Auxillary Box Lead Termination | None |
| Base Indicator | Rigid |
| Bearing Grease Type | Polyrex EM (-20F +300F) |
| Blower | None |
| Current @ Voltage | 9.500 A @ 575.0 V |
| Design Code | B |
| Drip Cover | No Drip Cover |
| Duty Rating | CONT |
| Efficiency @ 100% Load | 90.2 % |
| Electrically Isolated Bearing | Not Electrically Isolated |
| Feedback Device | NO FEEDBACK |
| Front Face Code | Standard |
| Front Shaft Indicator | None |
| Heater Indicator | No Heater |

Part detail

| | |
|--------------|------------|
| Revision | M |
| Type | AC |
| Mech. spec. | 37G814 |
| Base | |
| Status | PRD/A |
| Elec. spec. | 37WGR021 |
| Layout | 37LYG814 |
| Eff. date | 08-16-2022 |
| CD Diagram | CD0006 |
| Poles | 02 |
| Leads | 3#14 |
| Proprietary | False |
| Created date | 11-28-2011 |

| | |
|-------------------------------|-----------------------|
| High Voltage Full Load Amps | 9.5 a |
| Insulation Class | F |
| Inverter Code | Inverter Ready |
| KVA Code | G |
| Lifting Lugs | Standard Lifting Lugs |
| Locked Bearing Indicator | Locked Bearing |
| Motor Lead Exit | Ko Box |
| Motor Lead Quantity/Wire Size | 3 @ 14 AWG |
| Motor Lead Termination | Flying Leads |
| Motor Standards | NEMA |
| Motor Type | 3728M |
| Mounting Arrangement | F1 |
| Number of Poles | 2 |
| Overall Length | 18.63 IN |
| Power Factor | 87 |
| Product Family | General Purpose |
| Pulley End Bearing Type | Ball |
| Pulley Face Code | C-Face |
| Pulley Shaft Indicator | Standard |
| Rodent Screen | None |
| RoHS Status | ROHS COMPLIANT |
| Service Factor | 1.15 |
| Shaft Diameter | 1.375 IN |
| Shaft Extension Location | Pulley End |
| Shaft Ground Indicator | No Shaft Grounding |
| Shaft Rotation | Reversible |
| Shaft Slinger Indicator | No Slinger |
| Speed | 3490 rpm |
| Speed Code | Single Speed |
| Starting Method | Direct on line |
| Thermal Device - Bearing | None |
| Thermal Device - Winding | None |
| Vibration Sensor Indicator | No Vibration Sensor |
| Winding Thermal 1 | None |

Winding Thermal 2

None

Nameplate

| NP3441L | | | | | | | | | |
|----------------------------------|--------------|-------------|-----------------------|------------|---|-----------|-----|--|--|
| CAT.NO. | CEM3711T-5 | | | | | | | | |
| SPEC. | 37G814R021G1 | | | | | | | | |
| HP | 10 | | | | | | | | |
| VOLTS | 575 | | | | | | | | |
| AMP | 9.5 | | | | | | | | |
| RPM | 3490 | | | | | | | | |
| FRAME | 215TC | | HZ | 60 | | PH | 3 | | |
| SER.F. | 1.15 | CODE | G | DES | B | CL | F | | |
| NEMA-NOM-EFF | 90.2 | PF | 87 | | | | | | |
| RATING | 40C AMB-CONT | | | | | | | | |
| CC | 010A | | USABLE AT 208V | | | | N/A | | |
| DE | 6307 | ODE | 6206 | | | | | | |
| ENCL | TEFC | SN | | | | | | | |
| VPWM INVERTER READY | | | | | | | | | |
| CT6-60H(10:1)VT3-60H(20:1 | | | | | | | | | |

Parts list

| Part number | Description | Quantity |
|---------------|--|----------|
| SA235042 | SA 37G814R021G1 | 1.000 ea |
| RA222005 | RA 37G814R021G1 | 1.000 ea |
| 36FN3000C02SP | EXFN, PLASTIC, 5.25 OD, 1.175 ID | 1.000 ea |
| HW3200A01 | 3/8-16X3/4 EYEBOLT WELDED F/S | 1.000 ea |
| 37CB3006 | 37 CB CASTING W/1.38 LEAD HOLE @ 6:00 | 1.000 ea |
| 37GS1000SP | GASKET, CONDUIT BOX STD., .06 THICK LEXI | 1.000 ea |
| 51XW2520A12 | .25-20 X .75, TAPTITE II, HEX WSHR SLTD | 2.000 ea |
| 11XW1032G06 | 10-32 X .38, TAPTITE II, HEX WSHR SLTD U | 1.000 ea |
| 37EP3101A01 | FR ENDPLATE, FOR ROUTING PURPOSES | 1.000 ea |
| HW4500A01 | 1641B(ALEMITE)400 UNIV, GREASE FITT | 1.000 ea |
| HW5100A06 | W2420-025 WVY WSHR (WB) | 1.000 ea |
| 37PE3300A01 | PUEP ASSEMBLY FOR ROUTING | 1.000 ea |
| HW4500A01 | 1641B(ALEMITE)400 UNIV, GREASE FITT | 1.000 ea |
| 10XN2520A30 | HEX HD CAP SCREW-STD THD-.25 X 20 THD PE | 4.000 ea |
| HW1001A25 | LOCKWASHER 1/4, ZINC PLT .493 OD, .255 I | 4.000 ea |
| XY3118A12 | 5/16-18 HEX NUT DIRECTIONAL SERRATION | 4.000 ea |
| 51XB1214A20 | 12-14X1.25 HXWSSLD SERTYB | 1.000 ea |
| 07FH4007SP | PRIMED | 1.000 ea |
| 51XW1032A06 | 10-32 X .38, TAPTITE II, HEX WSHR SLTD S | 3.000 ea |
| 37CB4516 | LIPPED LID FOR 37 FRAME NEC KOBX | 1.000 ea |
| 37GS1008 | 37 GS FOR CB LID - LEXIDE | 1.000 ea |
| 51XW0832A07 | 8-32 X .44, TAPTITE II, HEX WSHR SLTD SE | 4.000 ea |
| HW2501F21 | KEY, 5/16 SQ X 2.375 | 1.000 ea |
| HA7000A02 | KEY RETAINER RING, 1 1/8 DIA, 1 3/8 DIA | 1.000 ea |
| 85XU0407S04 | 4X1/4 U DRIVE PIN STAINLESS | 2.000 ea |
| MJ1000A02 | GREASE, POLYREX EM EXXON | 0.050 lb |
| MG1000Y03 | MUNSELL 2.53Y 6.70/ 4.60, GLOSS 20, GOLD | 0.028 ga |
| HA3104A14 | THRUBOLT- 5/16-18 X12.125(OHIO) | 4.000 ea |
| LC0006 | CONNECTION LABEL | 1.000 ea |
| NP3441L | ALUM SUPER-E VPWM INVERTER READY UL | 1.000 ea |
| 37PA1074 | PALLET PACK GRP, PRINT BOX PK1026A06 | 1.000 ea |

| | | |
|----------|--|----------|
| MN416A01 | TAG-INSTAL-MAINT no wire (2100bx)4/22 | 1.000 ea |
| LB1624 | COMBINED WARNING LABEL, ISO/ANSI PICTOGR | 1.000 ea |

AC Induction Motor Performance Data

Record # 36090

Typical performance - not guaranteed values

| Winding: 37WGR021-R001 | | Type: 3728M | | Enclosure: TEFC | |
|------------------------|--------------|---------------------|---|--------------------------|--------|
| Nameplate Data | | | 575 V, 60 Hz: Single Voltage Motor | | |
| Rated Output (HP) | 10 | Full Load Torque | 15 LB-FT | | |
| Volts | 575 | Start Configuration | direct on line | | |
| Full Load Amps | 9.5 | Breakdown Torque | 47.2 LB-FT | | |
| R.P.M. | 3490 | Pull-up Torque | 22.7 LB-FT | | |
| Hz | 60 Phase | 3 | Locked-rotor Torque | 26.4 LB-FT | |
| NEMA Design Code | B | KVA Code | G | Starting Current | 62.9 A |
| Service Factor (S.F.) | 1.15 | No-load Current | 3.53 A | | |
| NEMA Nom. Eff. | 90.2 | Power Factor | 87 | Line-line Res. @ 25°C | 1.48 Ω |
| Rating - Duty | 40C AMB-CONT | | Temp. Rise @ Rated Load | 78°C | |
| S.F. Amps | | | Temp. Rise @ S.F. Load | 97°C | |
| | | | Locked-rotor Power Factor | 33 | |
| | | | Rotor inertia | 0.255 LB-FT ² | |

Load Characteristics 575 V, 60 Hz, 10 HP

| % of Rated Load | 25 | 50 | 75 | 100 | 125 | 150 | S.F. |
|-----------------|------|------|------|------|------|------|------|
| Power Factor | 50 | 72 | 82 | 86 | 88 | 89 | 88 |
| Efficiency | 86.7 | 90.9 | 91.4 | 90.8 | 89.3 | 87.7 | 90 |
| Speed | 3576 | 3548 | 3517 | 3484 | 3448 | 3406 | 3463 |
| Line amperes | 4.15 | 5.65 | 7.43 | 9.57 | 11.8 | 14.4 | 10.8 |

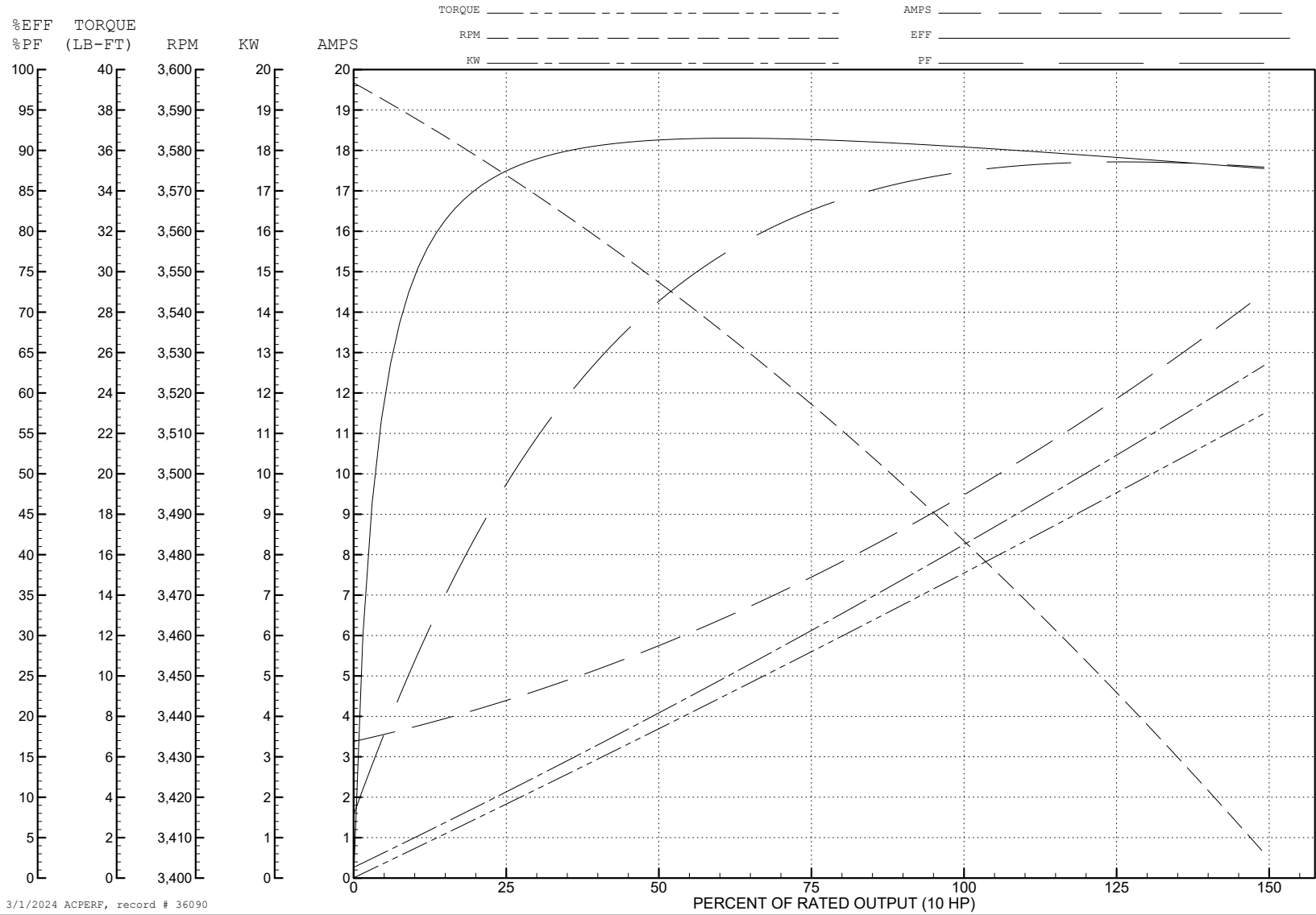
ABB Motors and Mechanical Inc.

WINDING # 37WGR021

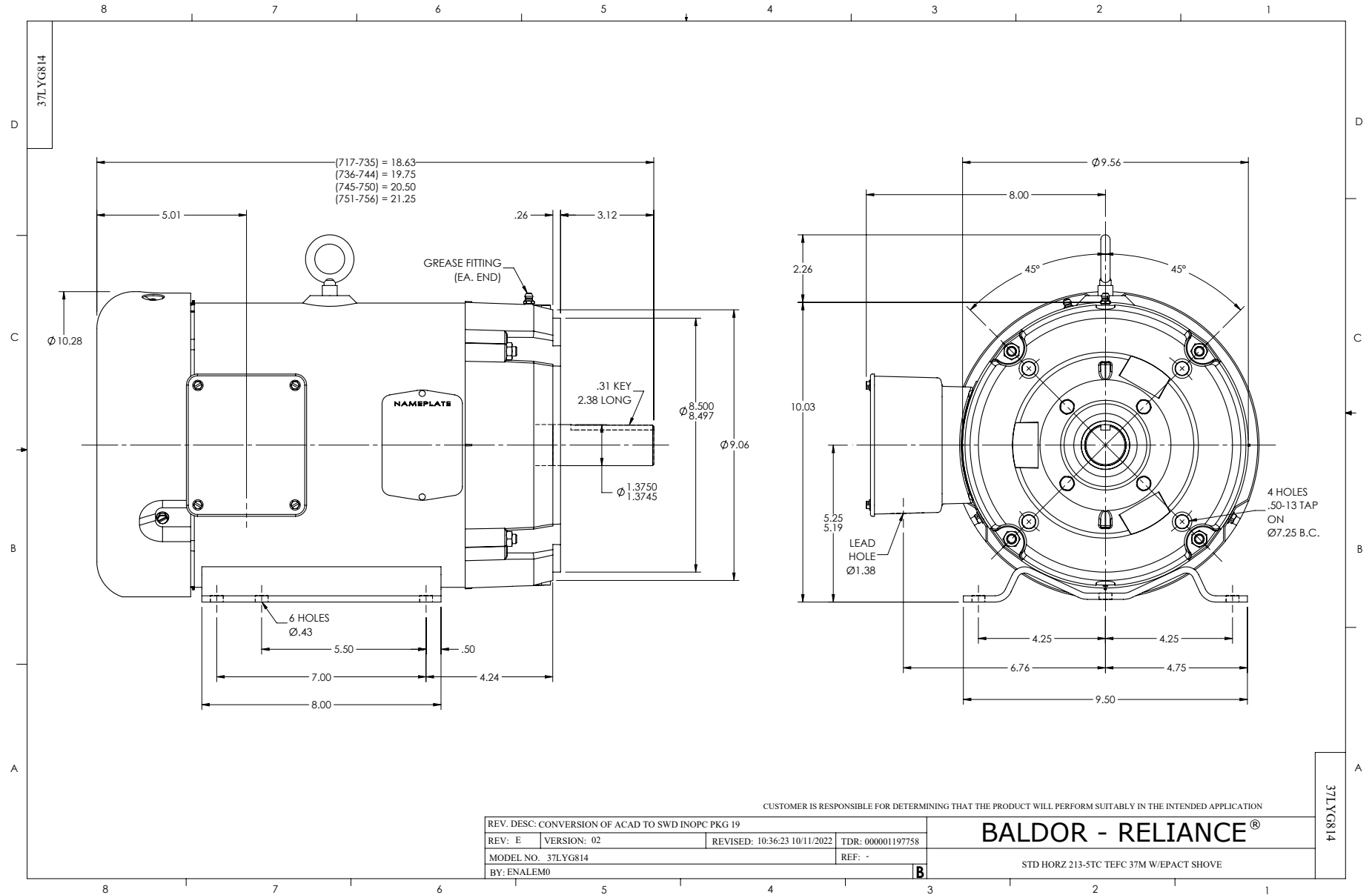
Typical performance - not guaranteed values.

10 HP 3 PH 60 HZ 3490 RPM 575 V 3728M

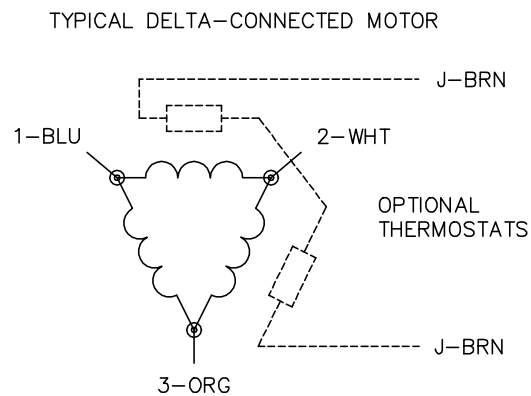
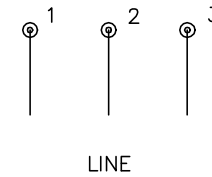
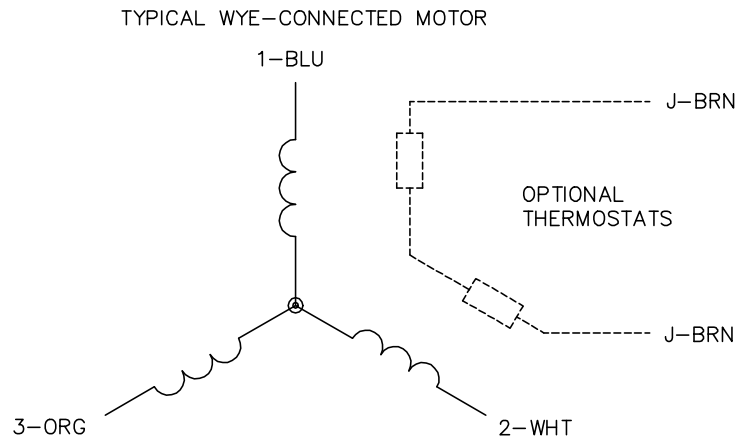
TORQUES (LB-FT): PO=47.2 PU=22.7 LR=26.4 LRA=62.9



3/1/2024 ACPERF, record # 36090



CD0006



NOTES:

1. THREE LEAD MOTOR MAY BE EITHER WYE CONNECTED OR DELTA CONNECTED.
2. INTERCHANGE ANY TWO LINE LEADS TO REVERSE ROTATION.
3. OPTIONAL THERMOSTATS ARE PROVIDED WHEN SPECIFIED.
4. ACTUAL NUMBER OF INTERNAL PARALLEL CIRCUITS MAY VARY.
5. LEAD COLORS ARE OPTIONAL. LEADS MUST BE NUMBERED AS SHOWN.

CD0006

| | | |
|-----------------------------------|------------------------------|-------------------|
| REV. DESC: ADD CLASS CONN00000007 | | |
| REV. LTR: E | VERSION: 01 | TDR: 000001099922 |
| FILE: \AAA\00005\141 | REVISED: 10:24:49 02/19/2019 | BY: ENBRIRO |
| MTL: - | © □ | |

BALDOR - RELIANCE®

3PH, SV, 3 LEADS, WYE OR DELTA CONNECTED

SH 1 of 1