



Customer information packet

CEM4400TS

100HP, 1785RPM, 3PH, 60HZ, 405TSC, TEFC, F1

Class - None

Division - Not Applicable

Specifications

Enclosure	TEFC
Frame	405TSC
Frame Material	Iron
Frequency	60.00 Hz
Haz Area Class and Group	None
Haz Area Division	Not Applicable
Motor Letter Type	Three Phase
Output @ Frequency	100.000 HP @ 60 HZ
Phase	3
Synchronous Speed @ Frequency	1800 RPM @ 60 HZ
Voltage @ Frequency	230.0 V @ 60 HZ 460.0 V @ 60 HZ
Agency Approvals	CCSAUSEEV
Ambient Temperature	40 °C
Auxillary Box	No Auxillary Box
Base Indicator	Rigid
Bearing Grease Type	Polyrex EM (-20F +300F)
Current @ Voltage	112.000 A @ 460.0 V 224.000 A @ 230.0 V
Design Code	B
Drip Cover	No Drip Cover
Duty Rating	CONT
Efficiency @ 100% Load	95.4 %
Feedback Device	NO FEEDBACK
Heater Indicator	No Heater
High Voltage Full Load Amps	112.0 a
Insulation Class	F
Inverter Code	Inverter Ready
IP Rating	NONE
KVA Code	G
Lifting Lugs	Standard Lifting Lugs
Motor Lead Quantity/Wire Size	3 @ 2 AWG

Part detail

Revision	H
Type	AC
Mech. spec.	
Base	
Status	PRD/A
Elec. spec.	A40WG0692
Layout	617437-221
Eff. date	09-04-2024
CD Diagram	416820-002
Poles	04
Leads	3#2,6#4
Proprietary	False
Created date	08-08-2014

Motor Standards	NEMA
Motor Type	A40064M
Mounting Arrangement	F1
Number of Poles	4
Overall Length	35.31 IN
Power Factor	87
Product Family	General Industrial
Pulley End Bearing Type	Ball
Pulley Face Code	C-Face
Service Factor	1.15
Shaft Diameter	2.125 IN
Shaft Ground Indicator	No Shaft Grounding
Shaft Rotation	Reversible
Shaft Slinger Indicator	No Slinger
Speed	1785 rpm
Speed Code	Single Speed
Starting Method	Direct on line
Thermal Device - Bearing	None
Thermal Device - Winding	None

Nameplate

NP2496L



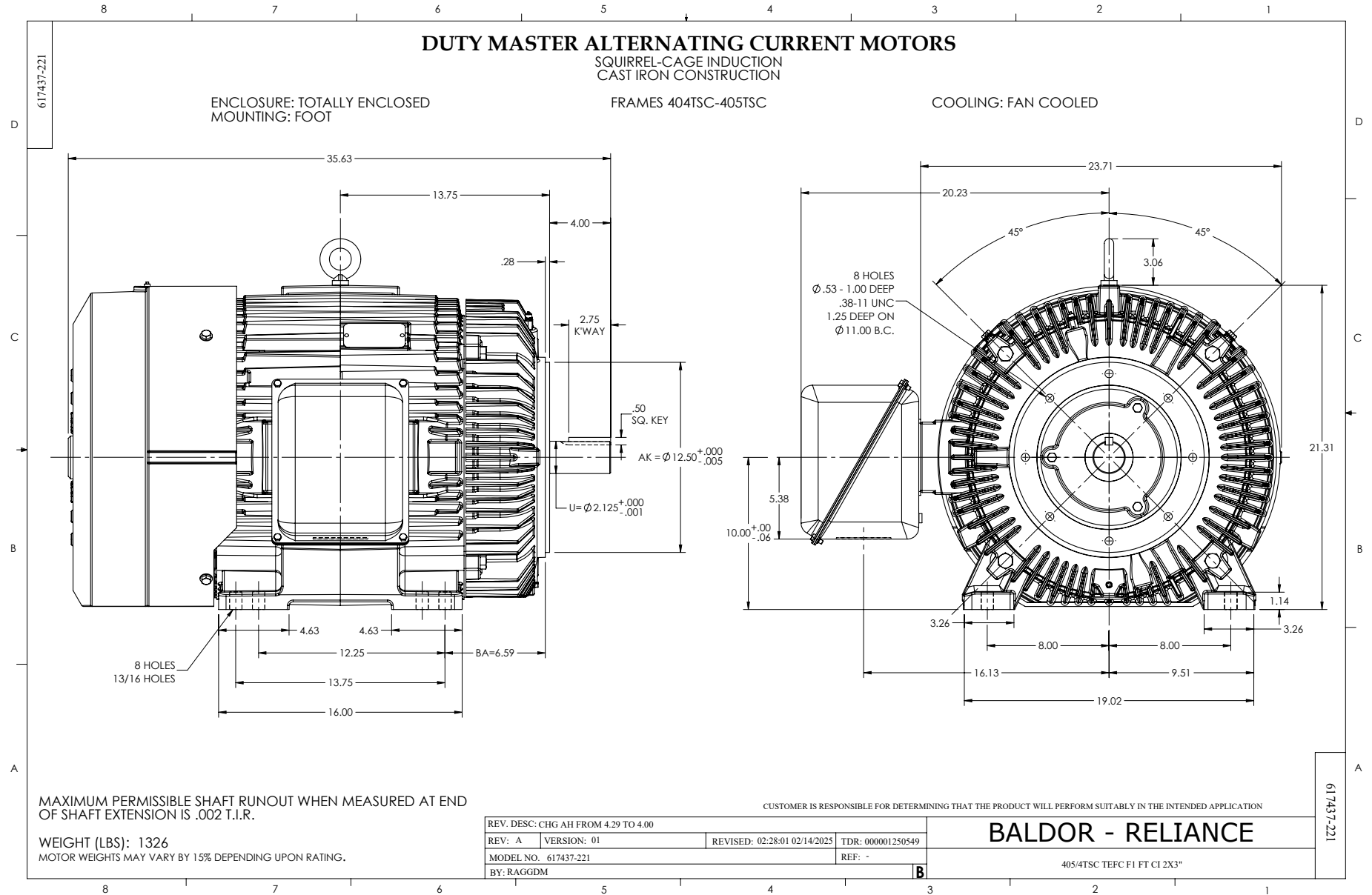
NP2349L

SPEC NO.	A40-6214-0692	CAT.NO.	CEM4400TS	FRAME	405TSC
HP	100	VOLTS	230/460	PHASE	3
RPM	1785	AMPS	224/112	HZ	60
DRIVE END BEARING		DUTY	CONT	INSUL.CLASS	F
OPP D.E. BEARING		ENCL	TEFC	CODE	G
SER.NO.		POWER FACTOR	87	NEMA-NOM-EFFICIENCY	95.4
				MAX CORR KVAR	18
				GUARANTEED EFFICIENCY	94.5
				NEMA NOM/CSA QUOTED EFF	
				MOTOR WEIGHT	

Parts list

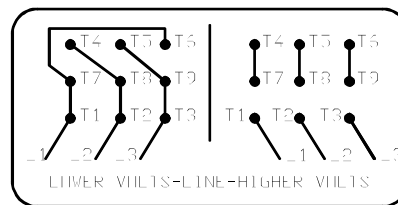
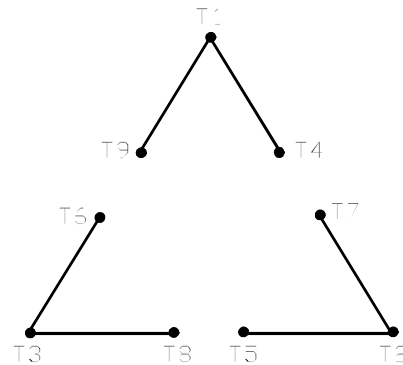
Part number	Description	Quantity
SA285085	SA A40-6214-0692	1.000 ea
RA271342	RA A40-6214-0692	1.000 ea
421948032	LABEL, MYLAR	1.000 ea
NP2496L	MOTOR LUBE NAMEPLATE	1.000 ea
000613006PU	N/P (RELEASE QTY 10,000) UL CSA LABEL	1.000 ea
000692000VD	LABEL WARNING	1.000 ea
NP2349L	SUPER-E ,SS, CURUS EEV, CC, LASER	1.000 ea
089412051B	BRKT 400 089412051WCD	1.000 ea
415072001B	CLAMP	1.000 ea
083198036A	FANCV BLKT 400	1.000 ea
034180012DA	KEY 1X4X1/4X1-1/2 L	1.000 ea
078548001R	FAN KB 234/150 (84) 400	1.000 ea
004824015A	GREASE POLYREX EM	0.880 lb
032018016EK	HHCS 5/8-11X2 PLATED 032018016ER	4.000 ea
032018010CK	HHCS 3/8-16X1-1/4 PLTD. 032018010CR	4.000 ea
032018030CK	HHCS 3/8-16X3-3/4 PLATED	3.000 ea
415096002A	CPLG 1/8 HEX TYPE	1.000 ea
410700000DA	WAVY SPRING WASHER	1.000 ea
035000001G	GREASE RELIEF FITTING, ALEMITE 317400	1.000 ea
034000014AB	WSH ID.406 OD.812 TH.065	4.000 ea
034530060AB	P/NIP 1/8X7-1/2 GALV.	1.000 ea
034690001AB	1/8" NPT SQHDPLG	1.000 ea
034600001AA	BUSH 1/4TO1/8 BLACK	1.000 ea
034690001AB	1/8" NPT SQHDPLG	1.000 ea
034600001AA	BUSH 1/4TO1/8 BLACK	1.000 ea
089412062A	BRKT 400 089416053WCD	1.000 ea
032018016EK	HHCS 5/8-11X2 PLATED 032018016ER	4.000 ea
032018032CK	HHCS 3/8-16X4 PLATED	3.000 ea
035000001G	GREASE RELIEF FITTING, ALEMITE 317400	1.000 ea
077176000L	C/BOX, PAINTED 440	1.000 ea
077176001A	CBOXC, PAINTED 360-400	1.000 ea

043292000AJ	GASK 320-400	1.000 ea
402731001A	GASK 360-440	1.000 ea
418150003A	GREASE FITTING CAP	1.000 ea
032018005DL	1/2-13 X 5/8 SILICON BRONZE HHCS	1.000 ea
MG1025Y17	WILKOFAS, 789.701, SUPER E PEARL GOLD	1.000 ga
032018005AK	HHCS 1/4-20X5/8 PLATED	4.000 ea
032018008CK	HHCS 3/8-16X1L PLATED	4.000 ea
035000001A	ALFTG 1/8" 1610-BL	1.000 ea
415000115H	T/LUG #2AWG-4/OAWG	1.000 ea
406099000A	PLUG - FAN COVER 320-440	1.000 ea
406055001C	GRFTG - XP	1.000 ea
035000001A	ALFTG 1/8" 1610-BL	1.000 ea
418150003A	GREASE FITTING CAP	1.000 ea
033775004EA	DRSCR #6-1/4 304 S.S.	2.000 ea
034180022GA	KEY 1/2X1/2X2-3/4 L	1.000 ea
604797045	STD. 400 FRAME SKID	1.000 ea
032510024D	CARRIAGE BOLT - 444	2.000 ea
034001014AB	FLAT WASHER 3/8"PLATED	2.000 ea
034001016AB	WSHR .562ID 1.375OD .109	2.000 ea
033300014AC	HEX NUT, SHIPPING - 400	2.000 ea
604799003C	PLASTIC BAG 42X32X46	1.000 ea



416820-002

A-C MOTOR
 CONNECTION DIAGRAM
 STANDARD 9 LEAD DELTA-CONNECTED



(N.P. 1575-B)

416820-002

REV. DESC: FONT CHANGE FOR PDF SEARCHABLE		
REV. LTR: A	VERSION: 01	TDR: 000001009382
FILE: \MGA\00000\661	REVISED: 02:46:19 02/13/2020	BY: MGHMTT
MTL: -	© □	

BALDOR - RELIANCE®

CONN DIAG - STANDARD 9 LEAD, DELTA-CONNECTED

SH 1 of 1