



Customer information packet

CEWDM3558T-5

2HP, 1764RPM, 3PH, 60HZ, 145TC, 3528M, TEFC, F1

Class - None

Division - Not Applicable

Specifications

| | |
|--------------------------------|---|
| Enclosure | TEFC |
| Frame | 145TC |
| Frame Material | Steel |
| Frequency | 60.00 Hz |
| Haz Area Class and Group | None |
| Haz Area Division | Not Applicable |
| Motor Letter Type | Three Phase |
| Output @ Frequency | 2.000 HP @ 60 HZ |
| Phase | 3 |
| Synchronous Speed @ Frequency | 1800 RPM @ 60 HZ |
| Voltage @ Frequency | 575.0 V @ 60 HZ |
| Agency Approvals | NEMA PREMIUM NEMA_PREMIUM UR CSA EEV |
| Ambient Temperature | 40 °C |
| Auxillary Box | No Auxillary Box |
| Auxillary Box Lead Termination | None |
| Base Indicator | Rigid |
| Bearing Grease Type | Polyrex EM (-20F +300F) |
| Blower | None |
| Current @ Voltage | 2.150 A @ 575.0 V |
| Design Code | B |
| Drip Cover | No Drip Cover |
| Duty Rating | CONT |
| Efficiency @ 100% Load | 86.5 % |
| Electrically Isolated Bearing | Not Electrically Isolated |
| Feedback Device | NO FEEDBACK |
| Front Shaft Indicator | None |
| Heater Indicator | No Heater |
| High Voltage Full Load Amps | 2.2 a |
| Insulation Class | F |

Part detail

| | |
|--------------|------------|
| Revision | F |
| Type | AC |
| Mech. spec. | 35SS595 |
| Base | |
| Status | PRD/A |
| Elec. spec. | 35WGG113 |
| Layout | 35LYSS595 |
| Eff. date | 02-14-2024 |
| CD Diagram | CD0006 |
| Poles | 04 |
| Leads | 3#18 Y |
| Proprietary | False |
| Created date | 01-10-2022 |

| | |
|-------------------------------|---------------------|
| Inverter Code | Not Inverter |
| KVA Code | L |
| Lifting Lugs | No Lifting Lugs |
| Locked Bearing Indicator | Locked Bearing |
| Motor Lead Quantity/Wire Size | 3 @ 18 AWG |
| Motor Lead Termination | Flying Leads |
| Motor Standards | NEMA |
| Motor Type | 3528M |
| Mounting Arrangement | F1 |
| Number of Poles | 4 |
| Overall Length | 13.28 IN |
| Power Factor | 80 |
| Product Family | Wash Down |
| Pulley End Bearing Type | Sealed Bearing |
| Pulley Face Code | C-Face |
| Pulley Shaft Indicator | Standard |
| Rodent Screen | None |
| Service Factor | 1.15 |
| Shaft Diameter | 0.875 IN |
| Shaft Ground Indicator | No Shaft Grounding |
| Shaft Rotation | Reversible |
| Shaft Slinger Indicator | Shaft Slinger |
| Speed | 1764 rpm |
| Speed Code | Single Speed |
| Starting Method | Direct on line |
| Thermal Device - Bearing | None |
| Thermal Device - Winding | None |
| Vibration Sensor Indicator | No Vibration Sensor |
| Winding Thermal 1 | None |
| Winding Thermal 2 | None |

Nameplate

| NP1669L | | | | | | | | | |
|---------------------|---------------|-------------|------------|------------|---|--------------|---|--|--|
| CAT.NO. | CEWDM3558T-5 | | | | | | | | |
| SPEC. | 35SS595G113G1 | | | | | | | | |
| HP | 2 | | | | | | | | |
| VOLTS | 575 | | | | | | | | |
| AMP | 2.15 | | | | | | | | |
| RPM | 1765 | | | | | | | | |
| FRAME | 145TC | | HZ | 60 | | PH | 3 | | |
| SER.F. | 1.15 | CODE | L | DES | B | CLASS | F | | |
| NEMA-NOM-EFF | 86.5 | PF | 80 | | | | | | |
| RATING | 40C AMB-CONT | | | | | | | | |
| CC | 010A | | | | | | | | |
| DE | 6205 | | ODE | 6203 | | | | | |
| ENCL | TEFC | SN | | | | | | | |
| BLANK | SFA 2.56 | | | | | | | | |

Parts list

| Part number | Description | Quantity |
|---------------|--|----------|
| SA402615 | SA 35SS595G113G1 | 1.000 ea |
| RA393892 | RA 35SS595G113G1 | 1.000 ea |
| 34FN3002B01 | EXTERNAL FAN, PLASTIC, .637/.639 HUB W/ | 1.000 ea |
| NS2512A01 | INSULATOR, CONDUIT BOX X | 1.000 ea |
| 35CB3010A01G | 35 CB .75 NPT @ 6:00 (GRAY) | 1.000 ea |
| 35GS1040 | 35 MOLDED GASKET W/LIP, LEAD SEAL, | 1.000 ea |
| 51XB1016A08 | 10-16X 1/2HXWSSLD SERTYB | 2.000 ea |
| 11XW1032G06 | 10-32 X .38, TAPTITE II, HEX WSHR SLTD U | 1.000 ea |
| 35EP3122B00W | MASTER ODE,203 BRG,.683SH,.125NPT DRNS,F | 1.000 ea |
| HW4072A01 | BLACK DRAIN PLUG FOR .125 NPT | 3.000 ea |
| HW5100A03 | WAVY WASHER (W1543-017) | 1.000 ea |
| 35EP3307E00W | MASTER DE,205 BRG,1.623SH,.125NPT DRNS,C | 1.000 ea |
| HW4072A01 | BLACK DRAIN PLUG FOR .125 NPT | 3.000 ea |
| HW4600B49 | SEAL 0.938 X 1.624 X 0.250 SINGLE LIP DB | 1.000 ea |
| 12XN1032S20 | 10-32 X 1-1/4 HEX M.S. , STAINLESS STEEL | 2.000 ea |
| 51XB1214A16 | 12-14X1.00 HXWSSLD SERTYB | 1.000 ea |
| 35FH4005A32SP | IEC FH NO GRSR W/3 HOLES - PRIMED | 1.000 ea |
| 11XW1032S06 | 10-32 X .38, TAPTITE II, HEX WSHR SLTD U | 3.000 ea |
| 35CB4522 | 35 LIPPED CB LID PRIMED | 1.000 ea |
| 35GS1030A02 | 35 GS FOR CB LID - WHITE NEOPRENE | 1.000 ea |
| 59XW0832S07 | TAPTITE II,HEX WSHR UNSLTD SER,410 S.S., | 4.000 ea |
| HW1003S08 | WASHER, #8 EX TH LK, SS | 4.000 ea |
| HW4600B39SP | V-RING SLINGER 0.550 X 0.790 X .18 VITON | 1.000 ea |
| HW4600B46 | V-RING SLINGER 0.875 X 1.420 X .24 VITON | 1.000 ea |
| HW2502D13 | SS KEY, 3/16 SQ X 1.375 | 1.000 ea |
| HA7000A01 | KEY RETAINER 7/8" DIA SHAFT | 1.000 ea |
| MJ5001A27 | 32220KN GRAY SEALER *MIN BUY 4 QTS=1GAL | 0.001 qt |
| LB1164 | LABEL,WARNING AND DRAIN | 1.000 ea |
| 85XU0407S04 | 4X1/4 U DRIVE PIN STAINLESS | 2.000 ea |
| HA5027A02 | HA4054 T-DRAIN X2 BAGGED WITH LABEL | 1.000 ea |
| MJ1000A02 | GREASE, POLYREX EM EXXON | 0.050 lb |

| | | |
|------------|---------------------------------------|----------|
| MG1025Z02 | ACTIVATOR WILKOFAS 060.02HF | 0.010 ga |
| MG1025W01 | WILKOFAS, 781.01, SIGNAL WHITE #9003 | 0.017 ga |
| HA3100S11 | THRUBOLT - 10-32 X 8.500 W | 4.000 ea |
| LC0006 | CONNECTION LABEL | 1.000 ea |
| NP1669L | SS WD SUPER-E UL PREM REV MTG | 1.000 ea |
| 36PA1000 | PKG GRP, PRINT PK1016A06 | 1.000 ea |
| MN416A01 | TAG-INSTAL-MAINT no wire (2100bx)4/22 | 1.000 ea |
| FE-0000001 | ZRTG FE ASSEMBLY | 1.000 ea |
| PE-0000002 | ZRTG PE ASSEMBLY | 1.000 ea |

AC Induction Motor Performance Data

Record # 81982

Typical performance - not guaranteed values

| Winding: 35WGG113-R001 | | Type: 3528M | | Enclosure: TEFC | |
|-------------------------------|--------------|----------------------------------|---|------------------------|--|
| Nameplate Data | | | 575 V, 60 Hz: Single Voltage Motor | | |
| Rated Output (HP) | 2 | Full Load Torque | 5.95 LB-FT | | |
| Volts | 575 | Start Configuration | direct on line | | |
| Full Load Amps | 2.15 | Breakdown Torque | 23.7 LB-FT | | |
| R.P.M. | 1764 | Pull-up Torque | 14.43 LB-FT | | |
| Hz | 60 | Locked-rotor Torque | 17.45 LB-FT | | |
| NEMA Design Code | B | Starting Current | 19.89 A | | |
| Service Factor (S.F.) | 1 | No-load Current | 1.39 A | | |
| NEMA Nom. Eff. | 86.5 | Line-line Res. @ 25°C | 15 Ω | | |
| Rating - Duty | 40C AMB-CONT | Temp. Rise @ Rated Load | 58°C | | |
| | | Locked-rotor Power Factor | 57 | | |
| | | Rotor inertia | 0.188 lb-ft ² | | |

Load Characteristics 575 V, 60 Hz, 2 HP

| % of Rated Load | 25 | 50 | 75 | 100 | 125 | 150 |
|------------------------|-----------|-----------|-----------|------------|------------|------------|
| Power Factor | 34 | 54 | 68 | 76 | 81 | 84 |
| Efficiency | 77 | 84.7 | 86.6 | 86.3 | 85.3 | 83.7 |
| Speed | 1791 | 1783 | 1775 | 1766 | 1757 | 1745 |
| Line amperes | 1.45 | 1.64 | 1.93 | 2.29 | 2.74 | 3.19 |

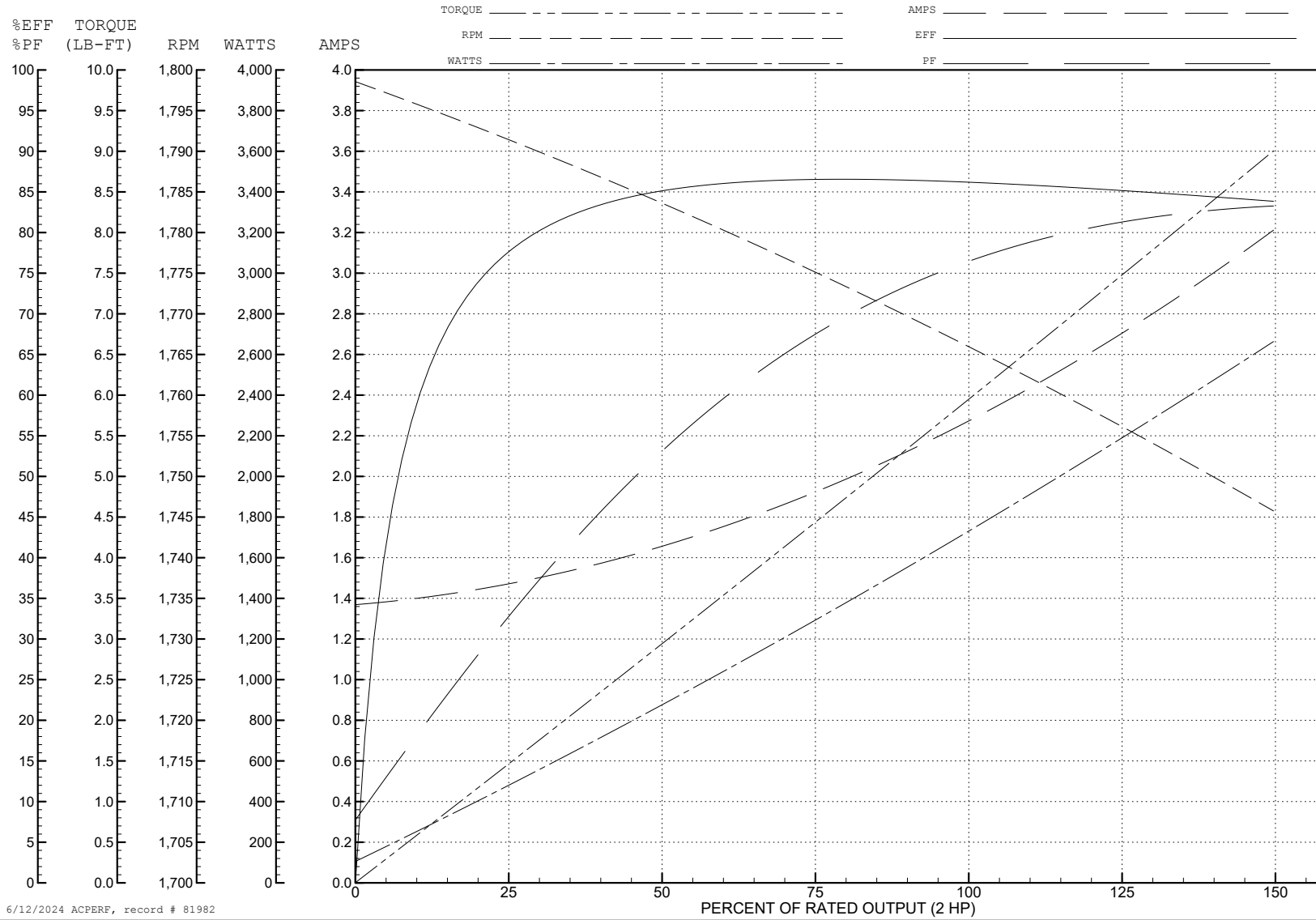
ABB Motors and Mechanical Inc.

WINDING # 35WGG113

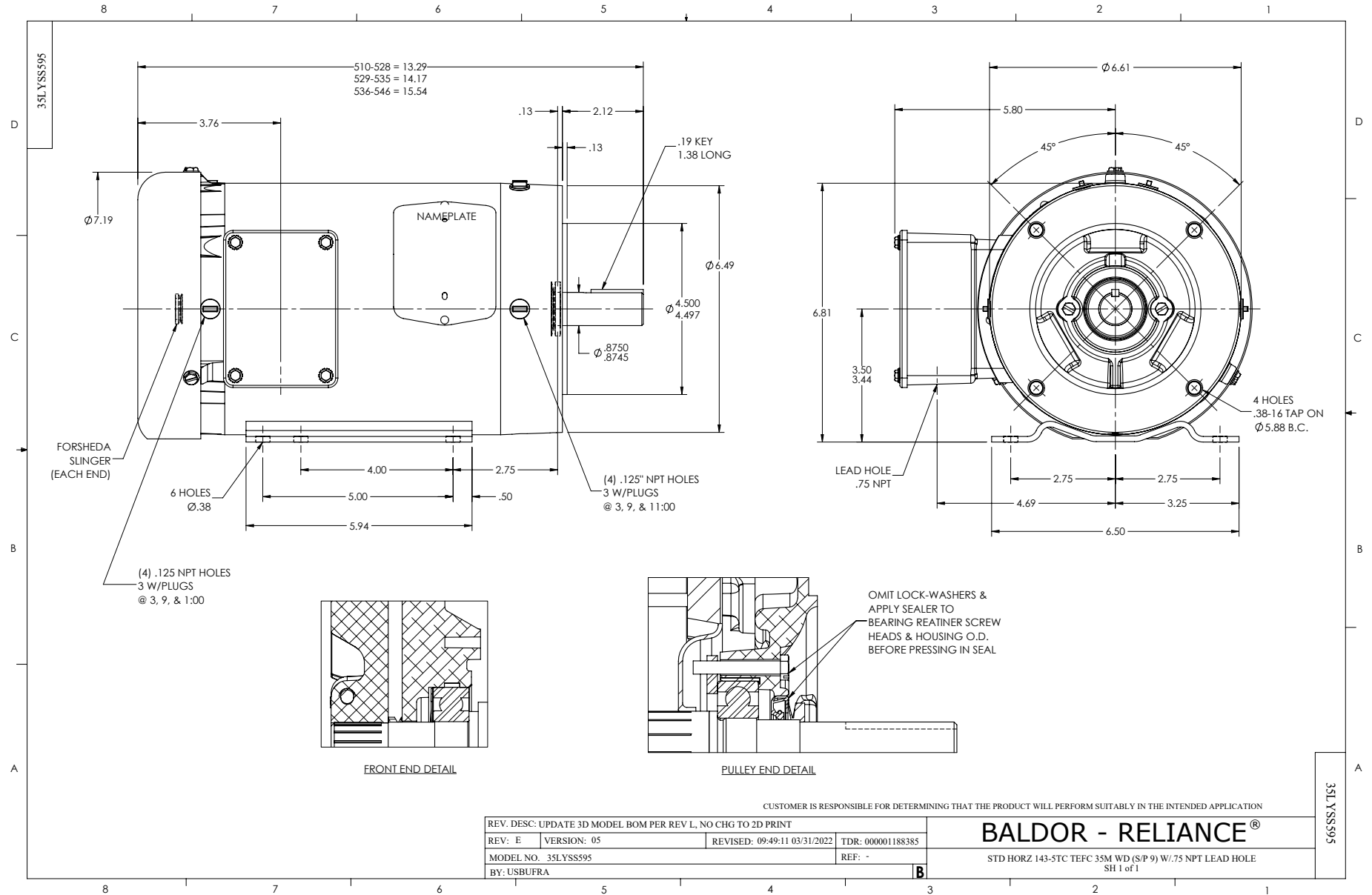
Typical performance - not guaranteed values.

2 HP 3 PH 60 HZ 1764 RPM 575 V 3528M

TORQUES (LB-FT): PO=23.7 PU=14.43 LR=17.45 LRA=19.89



6/12/2024 ACPERF, record # 81982



CD0006



NOTES:

1. THREE LEAD MOTOR MAY BE EITHER WYE CONNECTED OR DELTA CONNECTED.
2. INTERCHANGE ANY TWO LINE LEADS TO REVERSE ROTATION.
3. OPTIONAL THERMOSTATS ARE PROVIDED WHEN SPECIFIED.
4. ACTUAL NUMBER OF INTERNAL PARALLEL CIRCUITS MAY VARY.
5. LEAD COLORS ARE OPTIONAL. LEADS MUST BE NUMBERED AS SHOWN.

CD0006

| | | |
|-----------------------------------|------------------------------|-------------------|
| REV. DESC: ADD CLASS CONN00000007 | | |
| REV. LTR: E | VERSION: 01 | TDR: 000001099922 |
| FILE: \AAA\00005\141 | REVISED: 10:24:49 02/19/2019 | BY: ENBRIRO |
| MTL: - | © □ | |

BALDOR - RELIANCE®

3PH, SV, 3 LEADS, WYE OR DELTA CONNECTED

SH 1 of 1