

BALDOR • RELIANCE

Customer information packet

CEWDM3710T-5

7.5HP, 1770RPM, 3PH, 60HZ, 213TC, 3738M, TEFC

Class - None

Division - Not Applicable

Specifications

Enclosure	TEFC
Frame	213TC
Frame Material	Steel
Frequency	60.00 Hz
Haz Area Class and Group	None
Haz Area Division	Not Applicable
Motor Letter Type	Three Phase
Output @ Frequency	7.500 HP @ 60 HZ
Phase	3
Synchronous Speed @ Frequency	1800 RPM @ 60 HZ
Voltage @ Frequency	575.0 V @ 60 HZ
Agency Approvals	CSA EEV CSA UR
Ambient Temperature	40 °C
Auxillary Box	No Auxillary Box
Auxillary Box Lead Termination	None
Base Indicator	Rigid
Bearing Grease Type	Polyrex EM (-20F +300F)
Blower	None
Current @ Voltage	7.600 A @ 575.0 V
Design Code	A
Drip Cover	No Drip Cover
Duty Rating	CONT
Efficiency @ 100% Load	91.7 %
Electrically Isolated Bearing	Not Electrically Isolated
Feedback Device	NO FEEDBACK
Front Face Code	Standard
Front Shaft Indicator	None
Heater Indicator	No Heater
High Voltage Full Load Amps	7.6 a
Insulation Class	F

Part detail

Revision	G
Type	AC
Mech. spec.	37G815
Base	
Status	PRD/A
Elec. spec.	37WGR907
Layout	37LYG815
Eff. date	02-14-2024
CD Diagram	CD0006
Poles	04
Leads	3#14
Proprietary	False
Created date	12-10-2015

Inverter Code	Inverter Ready
KVA Code	J
Lifting Lugs	Standard Lifting Lugs
Locked Bearing Indicator	Locked Bearing
Motor Lead Exit	Ko Box
Motor Lead Quantity/Wire Size	3 @ 14 AWG
Motor Lead Termination	Flying Leads
Motor Standards	NEMA
Motor Type	3738M
Mounting Arrangement	F1
Number of Poles	4
Overall Length	19.78 IN
Power Factor	82
Product Family	Wash Down
Pulley End Bearing Type	Sealed Bearing
Pulley Face Code	C-Face
Pulley Shaft Indicator	Standard
Rodent Screen	None
RoHS Status	ROHS COMPLIANT
Service Factor	1.15
Shaft Diameter	1.375 IN
Shaft Extension Location	Pulley End
Shaft Ground Indicator	No Shaft Grounding
Shaft Rotation	Reversible
Shaft Slinger Indicator	Shaft Slinger
Speed	1770 rpm
Speed Code	Single Speed
Starting Method	Direct on line
Thermal Device - Bearing	None
Thermal Device - Winding	None
Vibration Sensor Indicator	No Vibration Sensor
Winding Thermal 1	None
Winding Thermal 2	None

Nameplate

NP1669L									
CAT.NO.	CEWDM3710T-5								
SPEC.	37G815R907G1								
HP	7.5								
VOLTS	575								
AMP	7.6								
RPM	1770								
FRAME	213TC		HZ	60		PH	3		
SER.F.	1.15	CODE	J	DES	A	CLASS	F		
NEMA-NOM-EFF	91.7	PF	82						
RATING	40C AMB-CONT								
CC	010A								
DE	6307		ODE	6206					
ENCL	TEFC	SN							
BLANK									

Parts list

Part number	Description	Quantity
SA311800	SA 37G815R907G1	1.000 ea
RA299233	RA 37G815R907G1	1.000 ea
37FN3002C01	EXFN, PLASTIC, 6.00 OD, 1.155 ID	1.000 ea
HW3200A01	3/8-16X3/4 EYEBOLT WELDED F/S	1.000 ea
37CB3005A04W	CASTING W/.75 NPT@6(MACH WHITE)	1.000 ea
37GS1025	37 MOLDED GASKET W/LIP, LEAD SEAL	1.000 ea
51XW2520A12	.25-20 X .75, TAPTITE II, HEX WSHR SLTD	2.000 ea
HA5027A01	HA4066A01 T-DRAIN X2 BAGGED	1.000 ea
11XW1032G06	10-32 X .38, TAPTITE II, HEX WSHR SLTD U	1.000 ea
37EP3101A94MW	FRONT TEFC L&M 206 BRG W/O GRSR (WHITE)	1.000 ea
HW4032A01	BLACK DRAIN PLUG FOR WASH DOWN MOTORS	3.000 ea
HW5100A06	W2420-025 WVY WSHR (WB)	1.000 ea
37EP3300A23MW	WHITE EPOXY EP MACH COMPL	1.000 ea
HW4032A01	BLACK DRAIN PLUG FOR WASH DOWN MOTORS	3.000 ea
HW4600B51	SEAL 1.375 X 2.125 X 0.313 SINGLE LIP DB	1.000 ea
10XN2520S30	1/4-20 X 1 7/8 HEX HEAD SS	4.000 ea
XY3118S12	5/16-18 HEX NUT, STAINLESS STEEL	4.000 ea
07FH4011	WASHDOWN IEC FH W/PRIMED	1.000 ea
11XW1032S06	SCREW, HXWSHR HD SLDTYF 410 SS	3.000 ea
HW4600B74	V-RING SLINGER 1.125 X 1.445 X .24 VITON	1.000 ea
HW4600B31SP	V-RING SLINGER 1.438 X 1.758 X .24 VITON	1.000 ea
37CB4512	CONDUIT BOX LID FOR WASHDOWN 37 FRAME	1.000 ea
37GS1008A02	37 GS FOR CB LID - WHITE NEOPRENE	1.000 ea
59XN0832S07	8/32 X 7/16 HX WS HD SER X	4.000 ea
HW2502F21	#303 SS,SQ KEY 5/16 X 2.375	1.000 ea
HA7000A02	KEY RETAINER RING, 1 1/8 DIA, 1 3/8 DIA	1.000 ea
MJ5001A27	32220KN GRAY SEALER *MIN BUY 4 QTS=1GAL	0.001 qt
85XU0407S04	4X1/4 U DRIVE PIN STAINLESS	2.000 ea
LB1164	LABEL, WARNING AND DRAIN	1.000 ea
MJ1000A02	GREASE, POLYREX EM EXXON	0.050 lb
51XB1214A20	12-14X1.25 HXWSSLD SERTYB	1.000 ea

MG1025Z02	ACTIVATOR WILKOFAS 060.02HF	0.010 ga
MG1025W01	WILKOFAS, 781.01, SIGNAL WHITE #9003	0.028 ga
HA3104S17	THRUBOLT 13.250LG SS	4.000 ea
LC0006	CONNECTION LABEL	1.000 ea
NP1669L	SS WD SUPER-E UL PREM REV MTG	1.000 ea
37PA1074	PALLET PACK GRP, PRINT BOX PK1026A06	1.000 ea
MN416A01	TAG-INSTAL-MAINT no wire (2100bx)4/22	1.000 ea
LB1624	COMBINED WARNING LABEL, ISO/ANSI PICTOGR	1.000 ea

AC Induction Motor Performance Data

Record # 54313

Typical performance - not guaranteed values

Winding: 37WGR907-R004		Type: 3738M		Enclosure: TEFC	
Nameplate Data			575 V, 60 Hz: Single Voltage Motor		
Rated Output (HP)	7.5	Full Load Torque	22.2 LB-FT		
Volts	575	Start Configuration	direct on line		
Full Load Amps	7.6	Breakdown Torque	71 LB-FT		
R.P.M.	1770	Pull-up Torque	32.6 LB-FT		
Hz	60 Phase	3	Locked-rotor Torque	43 LB-FT	
NEMA Design Code	A	KVA Code	J	Starting Current	56.9 A
Service Factor (S.F.)	1.15		No-load Current	3.48 A	
NEMA Nom. Eff.	91.7	Power Factor	82	Line-line Res. @ 25°C	2.22 Ω
Rating - Duty	40C AMB-CONT		Temp. Rise @ Rated Load	63°C	
S.F. Amps			Temp. Rise @ S.F. Load	77°C	
			Locked-rotor Power Factor	37.3	
			Rotor inertia	0.934 LB-FT ²	

Load Characteristics 575 V, 60 Hz, 7.5 HP

% of Rated Load	25	50	75	100	125	150	S.F.
Power Factor	42	63	75	80	83	84	82
Efficiency	87.1	91.7	91.9	92.1	91	89.9	91.4
Speed	1793	1786	1778	1770	1760	1750	1764
Line amperes	3.9	4.84	6.1	7.61	9.29	11.1	8.62

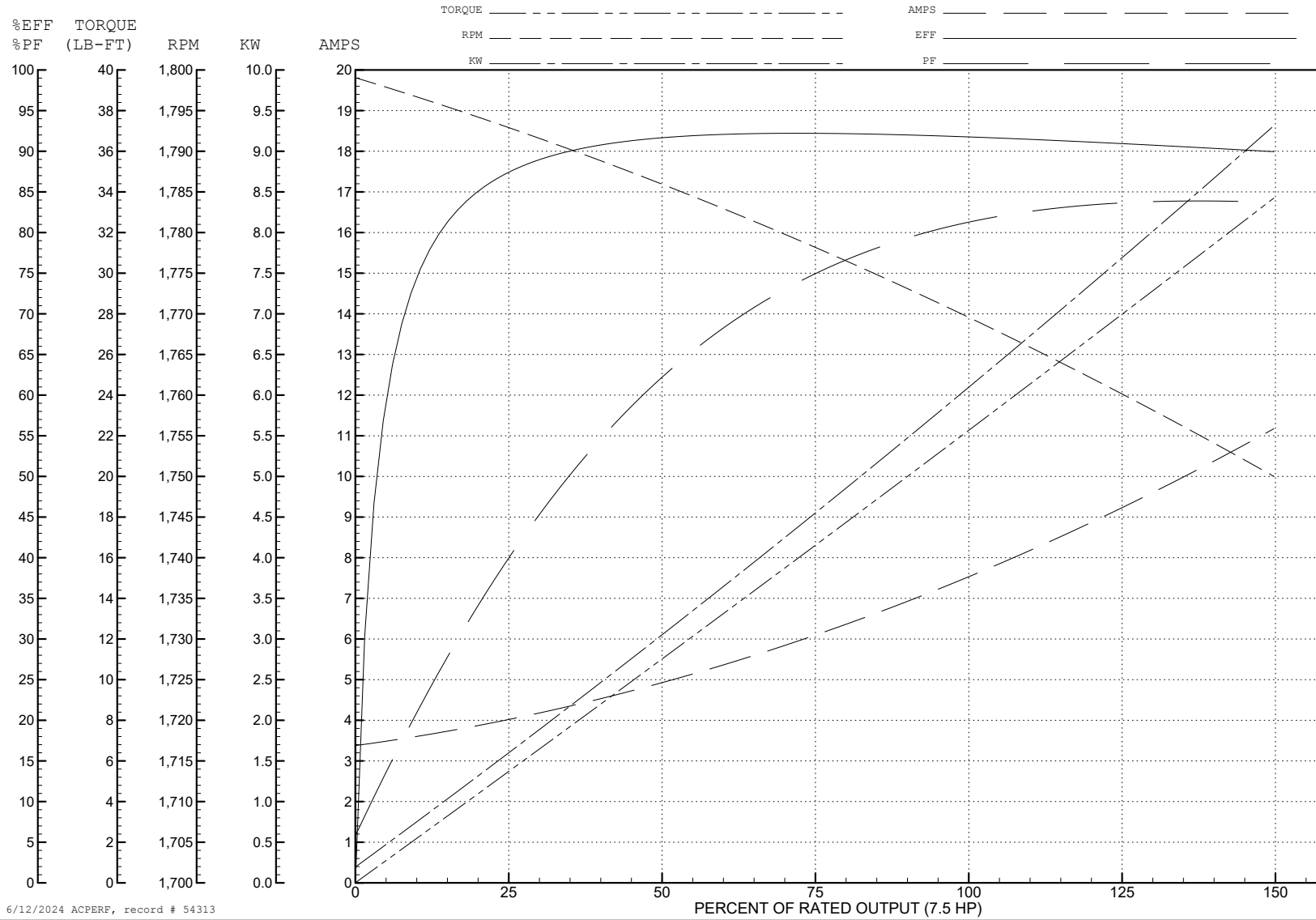
ABB Motors and Mechanical Inc.

WINDING # 37WGR907

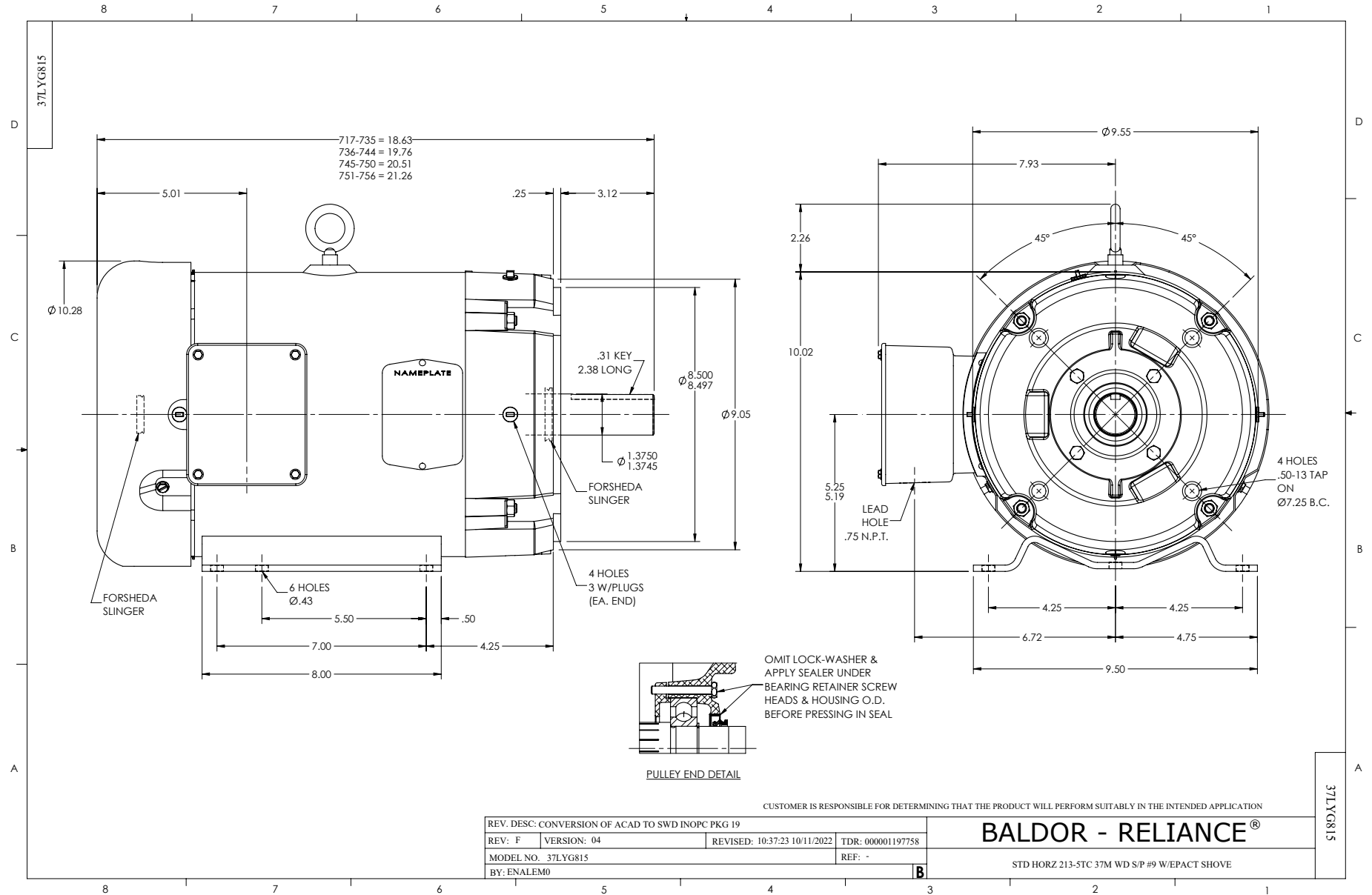
Typical performance - not guaranteed values.

7.5 HP 3 PH 60 HZ 1770 RPM 575 V 3738M

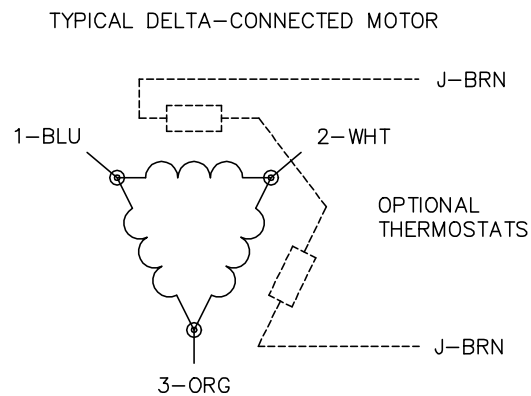
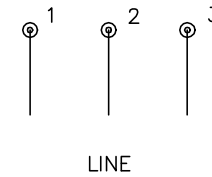
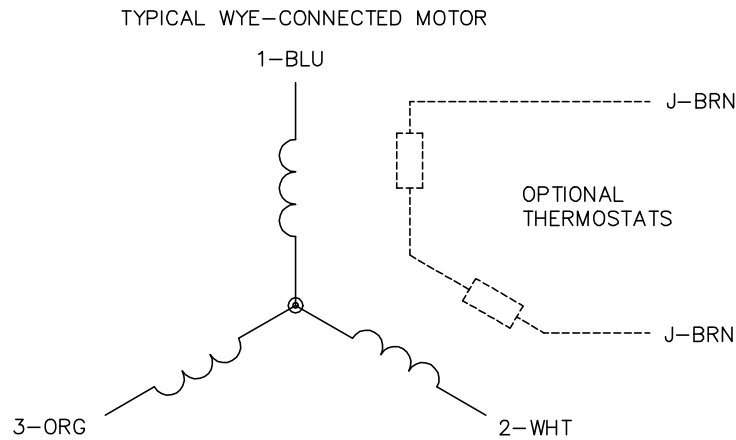
TORQUES (LB-FT): PO=71 PU=32.6 LR=43 LRA=56.9



6/12/2024 ACPERF, record # 54313



CD0006



NOTES:

1. THREE LEAD MOTOR MAY BE EITHER WYE CONNECTED OR DELTA CONNECTED.
2. INTERCHANGE ANY TWO LINE LEADS TO REVERSE ROTATION.
3. OPTIONAL THERMOSTATS ARE PROVIDED WHEN SPECIFIED.
4. ACTUAL NUMBER OF INTERNAL PARALLEL CIRCUITS MAY VARY.
5. LEAD COLORS ARE OPTIONAL. LEADS MUST BE NUMBERED AS SHOWN.

CD0006

REV. DESC: ADD CLASS CONN00000007		
REV. LTR: E	VERSION: 01	TDR: 000001099922
FILE: \AAA\00005\141	REVISED: 10:24:49 02/19/2019	BY: ENBRIRO
MTL: -		© □

BALDOR - RELIANCE®

3PH, SV, 3 LEADS, WYE OR DELTA CONNECTED

SH 1 of 1