

BALDOR • RELIANCE

Customer information packet

CEWDM3713T

15HP, 3495RPM, 3PH, 60HZ, 215TC, 3744M, TEFC, F

Class - None

Division - Not Applicable

Specifications

Enclosure	TEFC
Frame	215TC
Frame Material	Steel
Frequency	60.00 Hz
Haz Area Class and Group	None
Haz Area Division	Not Applicable
Motor Letter Type	Three Phase
Output @ Frequency	15.000 HP @ 60 HZ
Phase	3
Synchronous Speed @ Frequency	3600 RPM @ 60 HZ
Voltage @ Frequency	230.0 V @ 60 HZ 460.0 V @ 60 HZ
Agency Approvals	NEMA PREMIUM CURUSEEV
Ambient Temperature	40 °C
Auxiliary Box	NO AUXILLARY BOX
Auxiliary Box Lead Termination	None
Base Indicator	Rigid
Bearing Grease Type	Polyrex EM (-20F +300F)
Blower	None
Current @ Voltage	17.700 A @ 460.0 V 35.500 A @ 230.0 V
Design Code	B
Drip Cover	No Drip Cover
Duty Rating	CONT
Efficiency @ 100% Load	91.0 %
Electrically Isolated Bearing	Not Electrically Isolated
Feedback Device	NO FEEDBACK
Front Shaft Indicator	None
Heater Indicator	No Heater
High Voltage Full Load Amps	17.7 a
Insulation Class	F

Part detail

Revision	B
Type	AC
Mech. spec.	37G815
Base	
Status	PRD/A
Elec. spec.	37WGZ713
Layout	37LYG815
Eff. date	04-06-2026
CD Diagram	CD0180
Poles	02
Leads	9#14
Proprietary	False
Created date	11-10-2025

Inverter Code	Inverter Ready
KVA Code	H
Lifting Lugs	Standard Lifting Lugs
Locked Bearing Indicator	Locked Bearing
Motor Lead Quantity/Wire Size	9 @ 14 AWG
Motor Lead Termination	Flying Leads
Motor Standards	NEMA
Motor Type	3744M
Mounting Arrangement	F1
Number of Poles	2
Overall Length	19.76 IN
Power Factor	86
Product Family	Wash Down
Pulley End Bearing Type	Sealed Bearing
Pulley Face Code	C-Face
Pulley Shaft Indicator	Standard
Rodent Screen	None
RoHS Status	ROHS COMPLIANT
Service Factor	1.15
Shaft Diameter	1.375 IN
Shaft Ground Indicator	No Shaft Grounding
Shaft Rotation	Reversible
Shaft Slinger Indicator	Shaft Slinger
Speed	3495 rpm
Speed Code	Single Speed
Starting Method	Direct on line
Thermal Device - Bearing	None
Thermal Device - Winding	None
Vibration Sensor Indicator	No Vibration Sensor
Winding Thermal 1	None
Winding Thermal 2	None

Nameplate

NP1669L									
CAT.NO.	CEWDM3713T								
SPEC.	37G815Z713								
HP	15								
VOLTS	230/460								
AMP	35.5/17.7								
RPM	3495								
FRAME	215TC		HZ	60		PH	3		
SER.F.	1.15	CODE	J	DES	A	CLASS	F		
NEMA-NOM-EFF	91	PF	86						
RATING	40C AMB-CONT								
CC	010A								
DE	6307	ODE	6206						
ENCL	TEFC	SN							
BLANK	10:1CT, 20:1VT, 1.00SF								

Parts list

Part number	Description	Quantity
SA443111	SA 37G815Z713	1.000 ea
RA435607	RA 37G815Z713	1.000 ea
37FN3002B01	EXFN, PLASTIC, 7.50 OD, 1.155 ID	1.000 ea
HW3200A01	3/8-16X3/4 EYEBOLT WELDED F/S	1.000 ea
37CB3005A04W	CASTING W/.75 NPT@6(MACH WHITE)	1.000 ea
37GS1025	37 MOLDED GASKET W/LIP, LEAD SEAL	1.000 ea
51XW2520A12	.25-20 X .75, TAPTITE II, HEX WSHR SLTD	2.000 ea
HA5027A01	HA4066A01 T-DRAIN X2 BAGGED	1.000 ea
11XW1032G06	10-32 X .38, TAPTITE II, HEX WSHR SLTD U	1.000 ea
37EP3101A94MW	FRONT TEFC L&M 206 BRG W/O GRSR (WHITE)	1.000 ea
HW4032A01	BLACK DRAIN PLUG FOR WASH DOWN MOTORS	3.000 ea
HW4600B51	SEAL 1.375 X 2.125 X 0.313 SINGLE LIP DB	1.000 ea
10XN2520S30	1/4-20 X 1 7/8 HEX HEAD SS	4.000 ea
HW5100A06	W2420-025 WVY WSHR (WB)	1.000 ea
37EP3300A23MW	WHITE EPOXY EP MACH COMPL	1.000 ea
HW4032A01	BLACK DRAIN PLUG FOR WASH DOWN MOTORS	3.000 ea
XY3118S12	5/16-18 HEX NUT, STAINLESS STEEL	4.000 ea
07FH4011	WASHDOWN IEC FH W/PRIMED	1.000 ea
11XW1032S06	SCREW, HXWSHR HD SLDTYF 410 SS	3.000 ea
HW4600B74	V-RING SLINGER 1.125 X 1.445 X .24 VITON	1.000 ea
HW4600B31SP	V-RING SLINGER 1.438 X 1.758 X .24 VITON	1.000 ea
37CB4512	CONDUIT BOX LID FOR WASHDOWN 37 FRAME	1.000 ea
37GS1008A02	37 GS FOR CB LID - WHITE NEOPRENE	1.000 ea
59XN0832S07	8/32 X 7/16 HX WS HD SER X	4.000 ea
HW2502F21	#303 SS,SQ KEY 5/16 X 2.375	1.000 ea
MJ5001A27	32220KN GRAY SEALER *MIN BUY 4 QTS=1GAL	0.001 qt
85XU0407S04	4X1/4 U DRIVE PIN STAINLESS	2.000 ea
LB1164	LABEL,WARNING AND DRAIN	1.000 ea
MJ1000A02	GREASE, POLYREX EM EXXON	0.050 lb
51XB1214A20	12-14X1.25 HXWSSLD SERTYB	1.000 ea
MG1025Z02	ACTIVATOR WILKOFASST 060.02HF	0.010 ga

MG1025W01	WILKOFAST, 781.01, SIGNAL WHITE #9003	0.028 ga
HA3104S17	THRUBOLT 13.250LG SS	4.000 ea
LC0181	CONNECTION LABEL	1.000 ea
NP1669L	SS WD SUPER-E UL PREM REV MTG	1.000 ea
37PA1074	PALLET PACK GRP, PRINT BOX PK1026A06	1.000 ea
MN416A01	TAG-INSTAL-MAINT no wire (2500 bx)11/25	1.000 ea
LB1624	COMBINED WARNING LABEL, ISO/ANSI PICTOGR	1.000 ea

AC Induction Motor Performance Data

Record # 116703

Typical performance - not guaranteed values

Winding: 37WGZ713-R002		Type: 3744M	Enclosure: TEFC	
Nameplate Data		460 V, 60 Hz: High Voltage Connection		
Rated Output (HP)	15	Full Load Torque	22.44 LB-FT	
Volts	230/460	Start Configuration	direct on line	
Full Load Amps	35.5/17.7	Breakdown Torque	119 LB-FT	
R.P.M.	3495	Pull-up Torque	38 LB-FT	
Hz	60 Phase	3	Locked-rotor Torque	54.1 LB-FT
NEMA Design Code	A KVA Code	J	Starting Current	146 A
Service Factor (S.F.)		1.15	No-load Current	6.2 A
NEMA Nom. Eff.	91 Power Factor	86	Line-line Res. @ 25°C	0.53818 Ω
Rating - Duty		40C AMB-CONT	Temp. Rise @ Rated Load	87°C
S.F. Amps		40.4/20.2	Temp. Rise @ S.F. Load	114°C
			Locked-rotor Power Factor	32.1
			Rotor inertia	0.401 lb-ft ²

Load Characteristics 460 V, 60 Hz, 15 HP

% of Rated Load	25	50	75	100	125	150	S.F.
Power Factor	54	75	84	88	90	90	89
Efficiency	87.7	91.6	92.1	91.6	90.6	89.3	91
Speed	3575.5	3553	3529.7	3502.4	3472.3	3441.9	3484
Line amperes	7.4	10.1	13.5	17.4	21.6	26.1	19.9

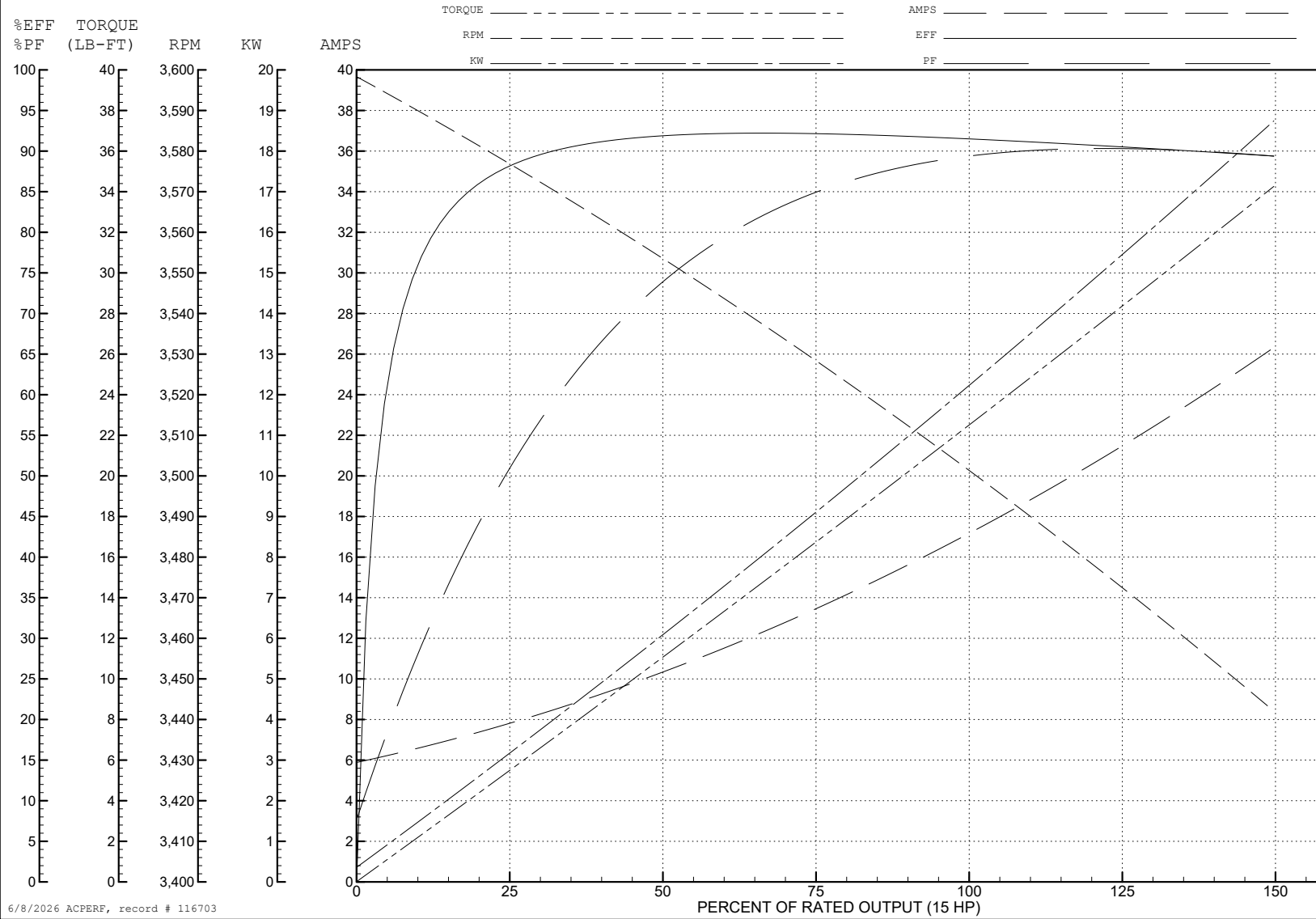
ABB Motors and Mechanical Inc.

WINDING # 37WGZ713

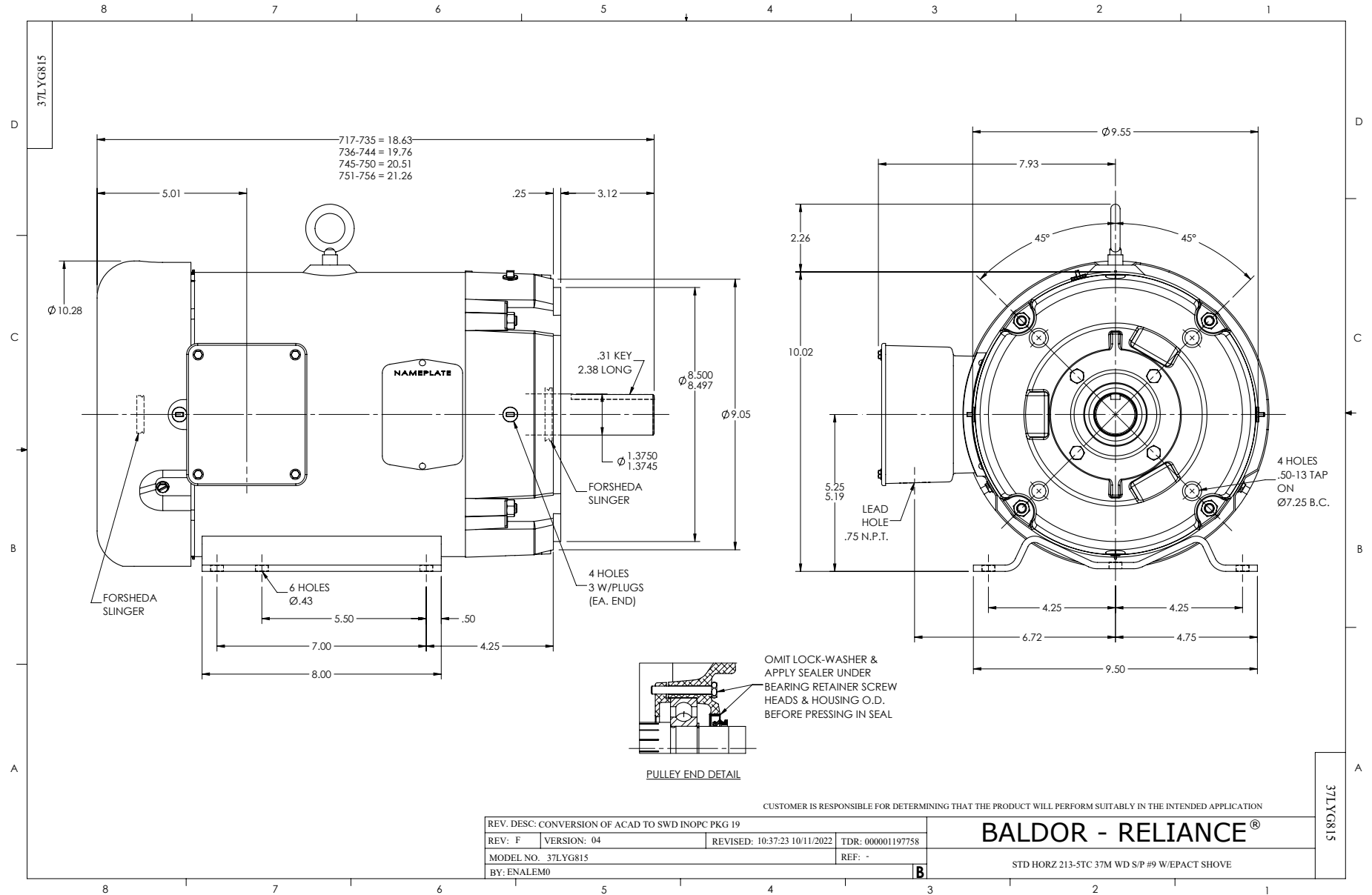
Typical performance - not guaranteed values.

15 HP 3 PH 60 HZ 3495 RPM 460 V 3744M

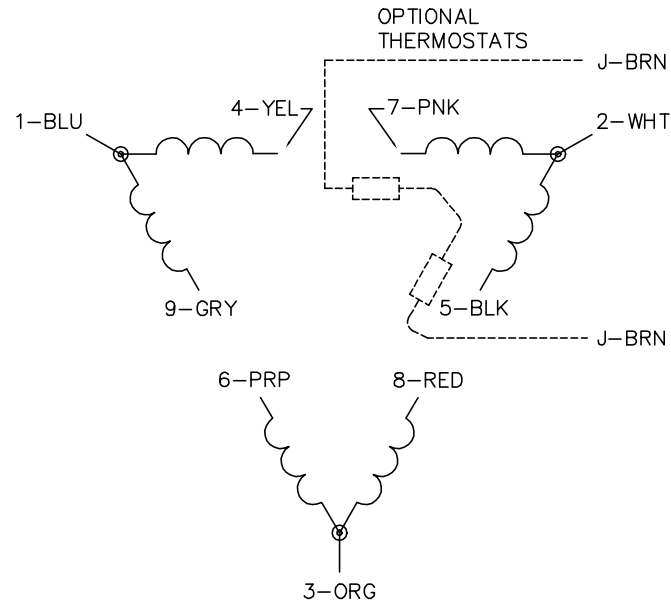
TORQUES (LB-FT): PO=119 PU=38 LR=54.1 LRA=146



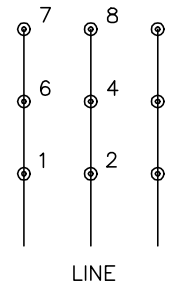
6/8/2026 ACPERF, record # 116703



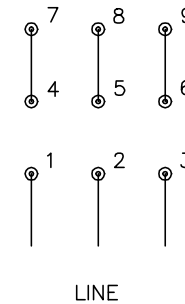
CD0180



LOW VOLTAGE
(2D)



HIGH VOLTAGE
(1D)



NOTES:

1. INTERCHANGE ANY TWO LINE LEADS TO REVERSE ROTATION.
2. OPTIONAL THERMOSTATS ARE PROVIDED WHEN SPECIFIED.
3. ACTUAL NUMBER OF INTERNAL PARALLEL CIRCUITS MAY BE A MULTIPLE OF THOSE SHOWN ABOVE.
4. LEAD COLORS ARE OPTIONAL. LEADS MUST ALWAYS BE NUMBERED AS SHOWN.

CD0180

REV. DESC: ADD CLASS CONN00000007		
REV. LTR: D	VERSION: 01	TDR: 000001099922
FILE: \AAA\00005\148	REVISED: 10: 25: 29 02/19/2019	BY: ENBRIRO
MTL: -	© □	

BALDOR - RELIANCE®

3PH, DV, 9 LEADS, DELTA CONNECTION

SH 1 of 1