

# ABB BALDOR RELIANCE III

---

## Customer information packet

### CFSWDL3504

.5HP, 1750RPM, 1PH, 60HZ, 56C, 3520L, TEFC, F1

Class - None

Division - Not Applicable

**Specifications**

<b>Enclosure</b>	TEFC
<b>Frame</b>	56C
<b>Frame Material</b>	Stainless Steel
<b>Frequency</b>	60.00 Hz
<b>Haz Area Class and Group</b>	None
<b>Haz Area Division</b>	Not Applicable
<b>Motor Letter Type</b>	Cap Start, Induction Run
<b>Output @ Frequency</b>	.500 HP @ 60 HZ
<b>Phase</b>	1
<b>Synchronous Speed @ Frequency</b>	1800 RPM @ 60 HZ
<b>Voltage @ Frequency</b>	115.0 V @ 60 HZ 230.0 V @ 60 HZ
<b>Agency Approvals</b>	WEEE C UR US
<b>Ambient Temperature</b>	40 °C
<b>Auxiliary Box</b>	NO AUXILLARY BOX
<b>Auxiliary Box Lead Termination</b>	None
<b>Base Indicator</b>	Rigid
<b>Bearing Grease Type</b>	Polyrex EM (-20F +300F)
<b>Blower</b>	None
<b>Current @ Voltage</b>	3.650 A @ 230.0 V 7.300 A @ 115.0 V
<b>Design Code</b>	N
<b>Drip Cover</b>	No Drip Cover
<b>Duty Rating</b>	CONT
<b>Efficiency @ 100% Load</b>	66.0 %
<b>Electrically Isolated Bearing</b>	Not Electrically Isolated
<b>Feedback Device</b>	NO FEEDBACK
<b>Front Shaft Indicator</b>	None
<b>Heater Indicator</b>	No Heater
<b>High Voltage Full Load Amps</b>	3.7 a
<b>Insulation Class</b>	F

**Part Detail**

<b>Revision</b>	C
<b>Type</b>	AC
<b>Mech. spec.</b>	35E4732
<b>Base</b>	
<b>Status</b>	PRD/A
<b>Elec. spec.</b>	35WGG506
<b>Layout</b>	35LYE4732
<b>Eff. date</b>	12-20-2023
<b>CD Diagram</b>	CD0648
<b>Poles</b>	04
<b>Leads</b>	7#18
<b>Proprietary</b>	False
<b>Created date</b>	02-23-2023

<b>Inverter Code</b>	Not Inverter
<b>KVA Code</b>	M
<b>Lifting Lugs</b>	No Lifting Lugs
<b>Locked Bearing Indicator</b>	Locked Bearing
<b>Motor Finish</b>	UNPAINTED
<b>Motor Lead Quantity/Wire Size</b>	7 @ 18 AWG
<b>Motor Lead Termination</b>	Flying Leads
<b>Motor Standards</b>	NEMA
<b>Motor Type</b>	3520L
<b>Mounting Arrangement</b>	F1
<b>Number of Poles</b>	4
<b>Overall Length</b>	13.96 IN
<b>Power Factor</b>	65
<b>Product Family</b>	WD All SD Non-Encapsulated
<b>Pulley End Bearing Type</b>	Sealed Bearing
<b>Pulley Face Code</b>	C-Face
<b>Pulley Shaft Indicator</b>	Standard
<b>Rodent Screen</b>	None
<b>RoHS Status</b>	ROHS COMPLIANT
<b>Service Factor</b>	1.15
<b>Shaft Diameter</b>	0.625 IN
<b>Shaft Ground Indicator</b>	No Shaft Grounding
<b>Shaft Rotation</b>	Reversible
<b>Shaft Slinger Indicator</b>	No Slinger
<b>Speed</b>	1750 rpm
<b>Speed Code</b>	Single Speed
<b>Starting Method</b>	Direct on line
<b>Thermal Device - Bearing</b>	None
<b>Thermal Device - Winding</b>	None
<b>Vibration Sensor Indicator</b>	No Vibration Sensor
<b>Winding Thermal 1</b>	None
<b>Winding Thermal 2</b>	None

**Nameplate**

**NP4427ALG30**

<b>CAT #</b>	CFSWDL3504	<b>WT</b>	37	<b>LBS</b>	
<b>SPEC</b>	35E4732G506G1	<b>ENCL</b>	TEFC		
<b>SER #</b>		<b>CC</b>		<b>IP</b>	69
<b>HP</b>	.5	<b>NEMA NOM. EFF</b>		66	
<b>VOLTS</b>	115/230				
<b>AMPS</b>	7.3/3.65	<b>PF</b>	65		
<b>RATING</b>	40C AMB-CONT				
<b>RPM</b>	1750				
<b>FRAME</b>	56C	<b>HZ</b>	60	<b>CODE</b>	M
		<b>CLASS</b>	F		
<b>SER.F.</b>	1.15	<b>SF AMP</b>	7.8/3.9	<b>PH</b>	1
		<b>DES</b>	N		
<b>DE</b>	6205	<b>ODE</b>	6205		
<b>LUBRICATION</b>	POLYREX EM				
				<b>QR</b>	
<b>YR</b>					

**Parts List**

<b>Part number</b>	<b>Description</b>	<b>Quantity</b>
SA414899	SA 35E4732G506G1	1.000 ea
RA406668	RA 35E4732G506G1	1.000 ea
EC1430A03	ELEC CAP 115V 1.8 X 3.3 X	1.000 ea
ES5502	115/40A,L ,CV ,165CO,.8*2.2*1.4,4-7-21	1.000 ea
11XW1032G06	10-32 X .38, TAPTITE II, HEX WSHR SLTD U	1.000 ea
35EP1940A05	FRONT TEFC 205 BRG (STAINLESS)	1.000 ea
RM1070A25	O-RING, VITON/FKM .070CS X 6.190ID	1.000 ea
HW4600G01	.984X1.499X.25 VITON SLICK SERIES LIP	1.000 ea
HW4600E99	25 X 42 X 6 AFX SEAL, GRAPHITE INFUSED V	1.000 ea
HW4500S33	1/8 NPT STAINLESS #304 SS PLUG	4.000 ea
HW4500S33	1/8 NPT STAINLESS #304 SS PLUG	4.000 ea
HW5100A05	WVY WSHR F/205 & 304 BRGS	1.000 ea
35EP1935A02	PULLEY 56C/143-5TC ENCL 205 BRG	1.000 ea
RM1070A25	O-RING, VITON/FKM .070CS X 6.190ID	1.000 ea
HW4600G01	.984X1.499X.25 VITON SLICK SERIES LIP	1.000 ea
HW4600E99	25 X 42 X 6 AFX SEAL, GRAPHITE INFUSED V	1.000 ea
RM1070A26	O-RING,4.5MM I.D.X1.5MM C.S. (VITON)	4.000 ea
35FH4005A39	IEC FH NO GREASER DEBURR/CLEAN - SS	1.000 ea
10XN1032FS06	HEX HD CAP SCREW 10-32 X 3/8 SS FOOD SAF	3.000 ea
35CB1510A01G	35 CB LID SINGLE PHASE MACHINED W/ FIG	1.000 ea
10XN1032FS08	HEX HD CAP SCREW 10-32 X 1/2 SS FOOD SAF	6.000 ea
HW2502D13	SS KEY, 3/16 SQ X 1.375	1.000 ea
HA7000A04	KEY RETAINER 0.625 DIA SHAFTS	1.000 ea
MJ5001A27	32220KN GRAY SEALER *MIN BUY 4 QTS=1GAL	0.005 qt
MJ5004A93	FOOD GRADE (H1 RATED) ANTISEIZE THRD COM	0.005 ea
HA5027A09	DRAIN KIT,(2)HA4002A03 BAGGED W/LABEL	1.000 ea
WD1000A15	3-520132-2 AMP FLAG (4M/RL NON-CANC/NON-	2.000 ea
MJ1000A02	GREASE, POLYREX EM EXXON	0.050 lb
WD5603A02	KIT, CLOSED-END LEAD SPLICE (18-14GA)	1.000 ea
HA7724	CAPACITOR CLAMP & SWITCH BRACKET FOR 35C	1.000 ea
51XW0832A07	8-32 X .44, TAPTITE II, HEX WSHR SLTD SE	2.000 ea

51XN1032A08	10-32 X 0.500 HX WS SL SR ZN	1.000 ea
34FN3002B01	EXTERNAL FAN, PLASTIC, .637/.639 HUB W/	1.000 ea
19XB0818S12	8-18X3/4 HXWS TYB HIGH-LOW	1.000 ea
HA3100FS25	THRUBOLT, 10-32 X 9.500 SS FOOD SAFE	4.000 ea
36PA1000	PKG GRP, PRINT PK1016A08	1.000 ea
MN416A01	TAG-INSTAL-MAINT no wire (2500 bx)11/25	1.000 ea
FE-0000016	ZTRG FE ASSEMBLY	1.000 ea
PE-0000010	ZRTG PE ASSEMBLY	1.000 ea

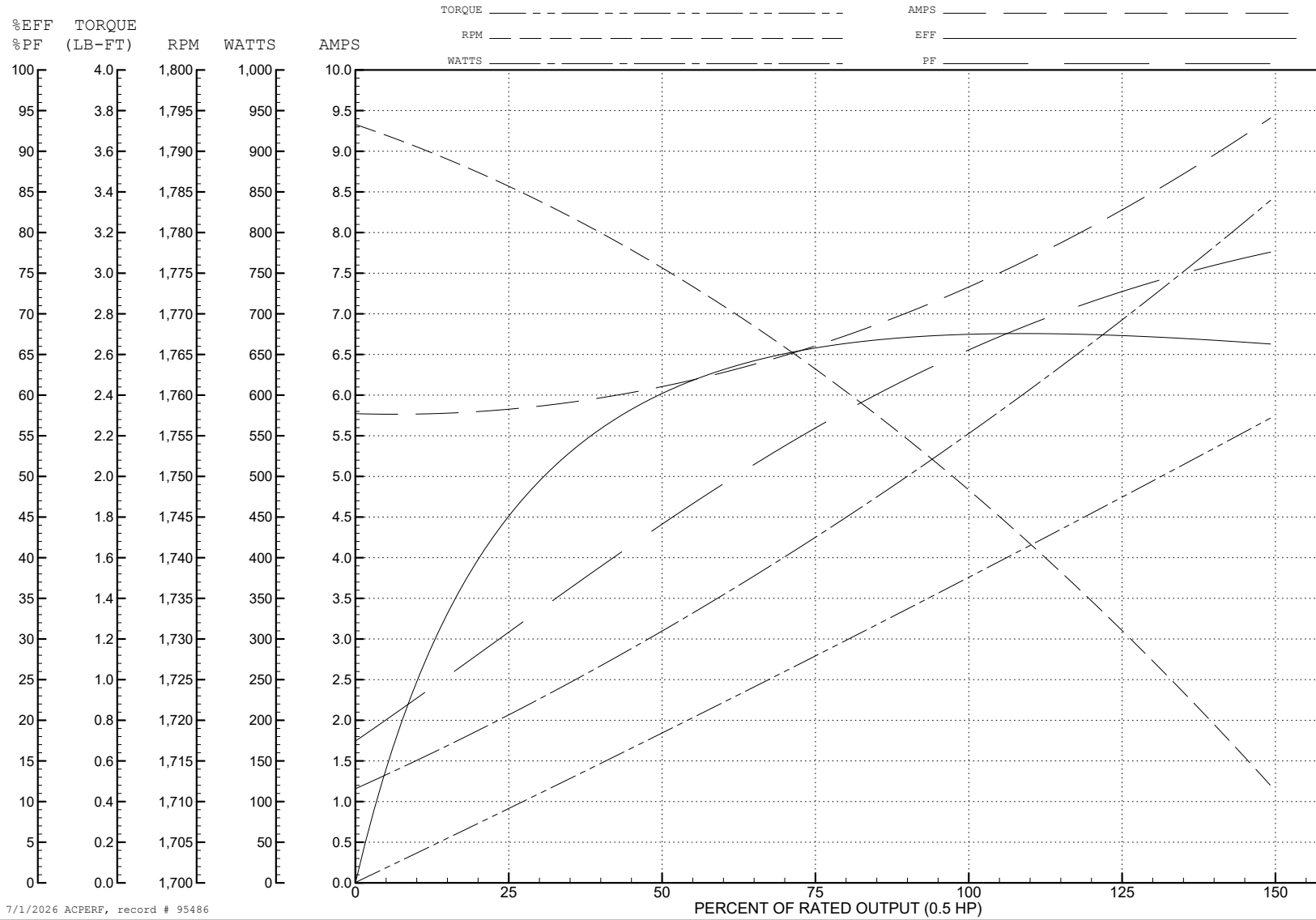
ABB Motors and Mechanical Inc.

WINDING # 35WGG506

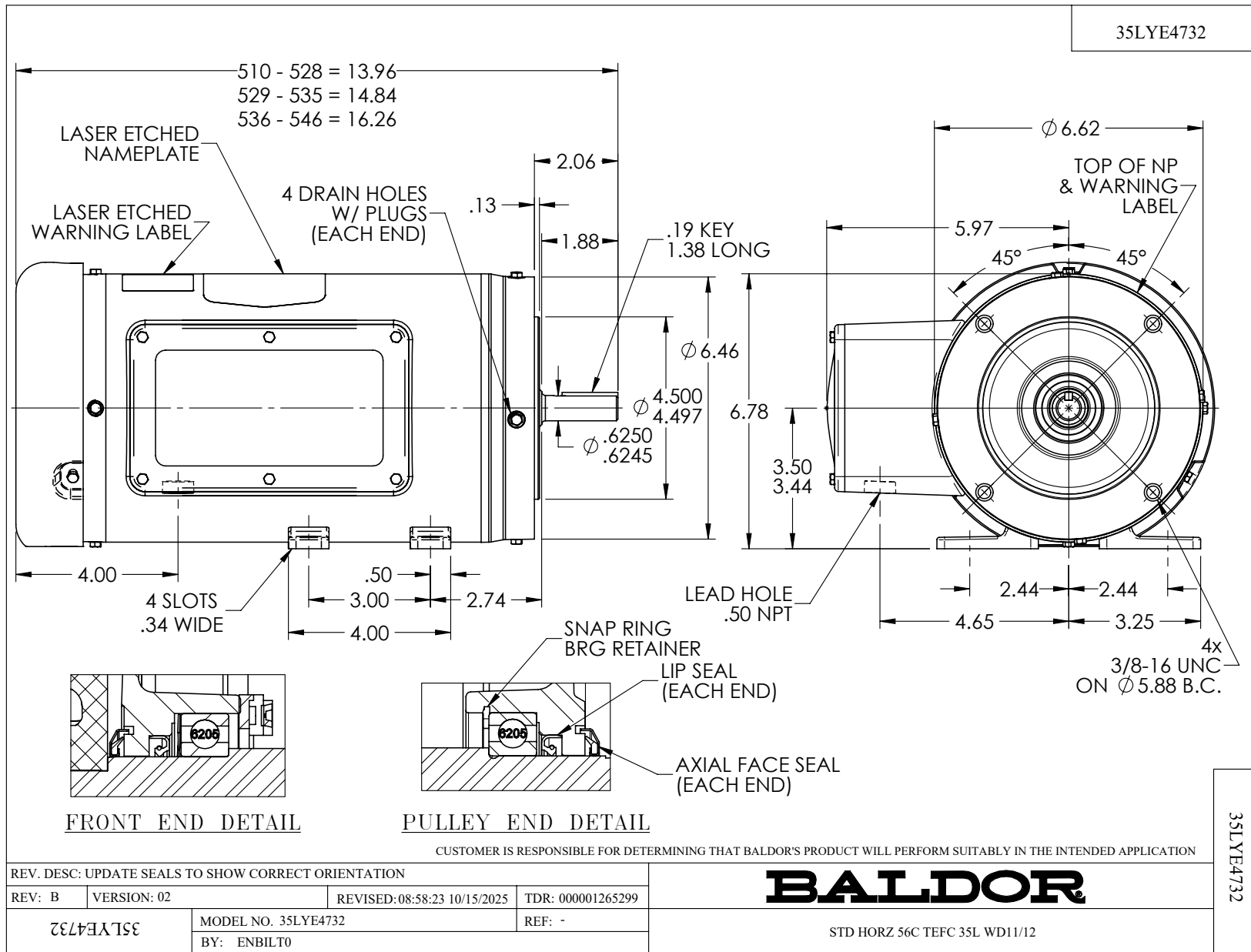
Typical performance - not guaranteed values.

0.5 HP 1 PH 60 HZ 1750 RPM 115 V 3520L

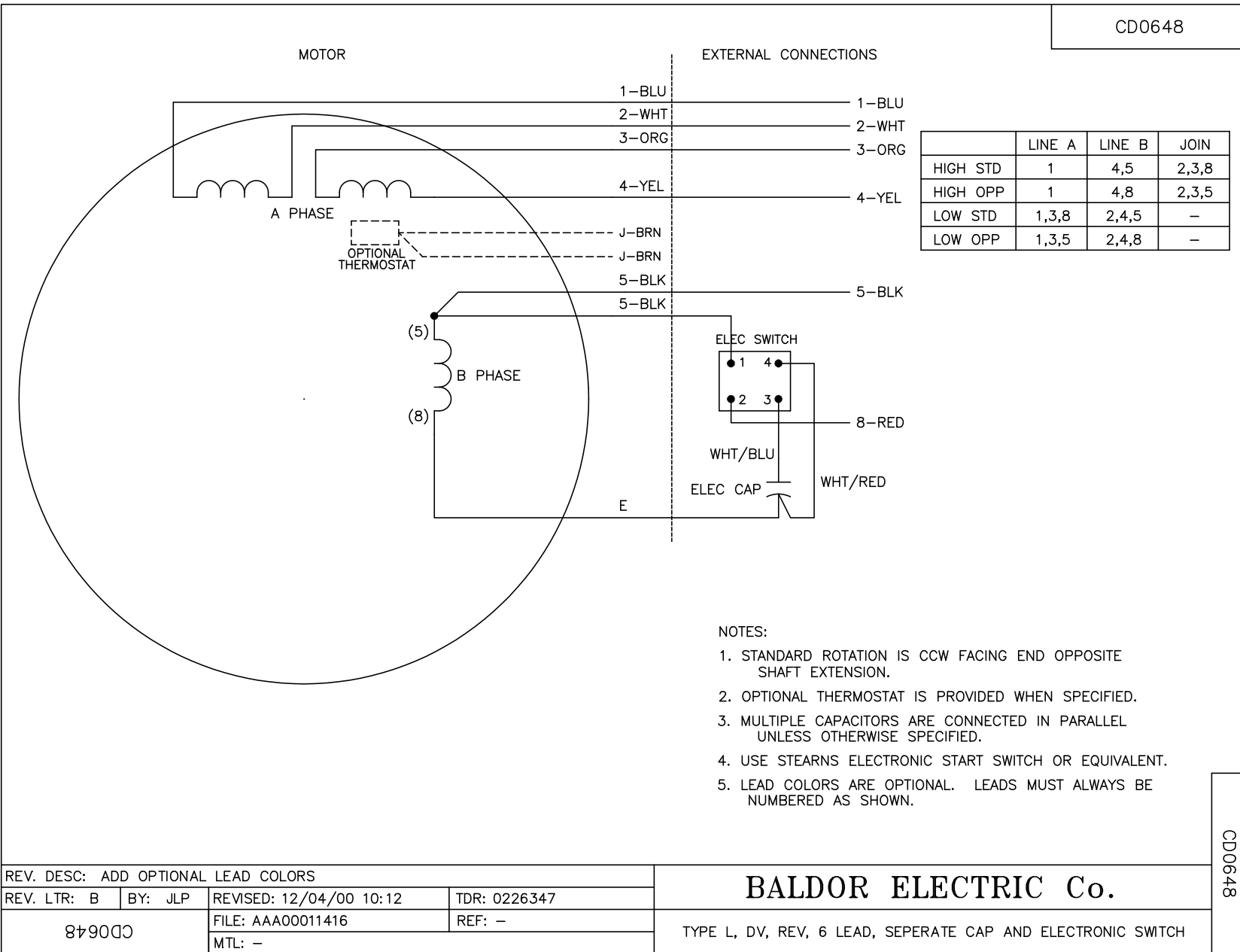
TORQUES (LB-FT): PO=4.6 PU=3.4 LR=5.3 LRA=46



7/1/2026 ACPERF, record # 95486



CD0648



CD0648

REV. DESC: ADD OPTIONAL LEAD COLORS			
REV. LTR: B	BY: JLP	REVISED: 12/04/00 10:12	TDR: 0226347
879000		FILE: AAA00011416	REF: -
		MTL: -	

**BALDOR ELECTRIC Co.**

TYPE L, DV, REV, 6 LEAD, SEPERATE CAP AND ELECTRONIC SWITCH