

**BALDOR® • RELIANCE™**

---

# Customer information packet

## CFSWDL3507

.75HP, 1745RPM, 1PH, 60HZ, 56C, 3530L, TEFC, F1

Class - None

Division - Not Applicable

Copyright © All product information within this document is subject to ABB Motors and Mechanical Inc. copyright © protection, unless otherwise noted.

3/1/2024 7:05:05 PM

## Specifications

Enclosure	TEFC
Frame	56C
Frame Material	Stainless Steel
Frequency	60.00 Hz
Motor Letter Type	Cap Start, Induction Run
Output @ Frequency	.750 HP @ 60 HZ
Phase	1
Synchronous Speed @ Frequency	1800 RPM @ 60 HZ
Voltage @ Frequency	115.0 V @ 60 HZ 230.0 V @ 60 HZ
XP Class and Group	None
XP Division	Not Applicable
Agency Approvals	WEEE C UR US
Ambient Temperature	40 °C
Auxillary Box	No Auxillary Box
Auxillary Box Lead Termination	None
Base Indicator	Rigid
Bearing Grease Type	Polyrex EM (-20F +300F)
Blower	None
Current @ Voltage	4.100 A @ 230.0 V 8.200 A @ 115.0 V
Design Code	N
Drip Cover	No Drip Cover
Duty Rating	CONT
Efficiency @ 100% Load	74.0 %
Electrically Isolated Bearing	Not Electrically Isolated
Feedback Device	NO FEEDBACK
Front Shaft Indicator	None
Heater Indicator	No Heater
High Voltage Full Load Amps	4.1 a
Insulation Class	F

## Part detail

Revision	A
Type	AC
Mech. spec.	35E4732
Base	
Status	PRD/A
Elec. spec.	35WGG409
Layout	35LYE4732
Eff. date	11-08-2023
CD Diagram	CD0648
Poles	04
Leads	7#18
Proprietary	False
Created date	02-23-2023

<b>Inverter Code</b>	Not Inverter
<b>KVA Code</b>	K
<b>Lifting Lugs</b>	No Lifting Lugs
<b>Locked Bearing Indicator</b>	Locked Bearing
<b>Motor Finish</b>	UNPAINTED
<b>Motor Lead Quantity/Wire Size</b>	7 @ 18 AWG
<b>Motor Lead Termination</b>	Flying Leads
<b>Motor Standards</b>	NEMA
<b>Motor Type</b>	3530L
<b>Mounting Arrangement</b>	F1
<b>Number of Poles</b>	4
<b>Overall Length</b>	14.83 IN
<b>Power Factor</b>	78
<b>Product Family</b>	WD All SD Non-Encapsulated
<b>Pulley End Bearing Type</b>	Sealed Bearing
<b>Pulley Face Code</b>	C-Face
<b>Pulley Shaft Indicator</b>	Standard
<b>Rodent Screen</b>	None
<b>RoHS Status</b>	ROHS COMPLIANT
<b>Service Factor</b>	1.15
<b>Shaft Diameter</b>	0.625 IN
<b>Shaft Ground Indicator</b>	No Shaft Grounding
<b>Shaft Rotation</b>	Reversible
<b>Shaft Slinger Indicator</b>	No Slinger
<b>Speed</b>	1745 rpm
<b>Speed Code</b>	Single Speed
<b>Starting Method</b>	Direct on line
<b>Thermal Device - Bearing</b>	None
<b>Thermal Device - Winding</b>	None
<b>Vibration Sensor Indicator</b>	No Vibration Sensor
<b>Winding Thermal 1</b>	None
<b>Winding Thermal 2</b>	None

**Nameplate**

**NP4427ALG30**

<b>CAT #</b>	CFSWDL3507		<b>WT</b>	33	<b>LBS</b>	
<b>SPEC</b>	35E4732G409G1		<b>ENCL</b>	TEFC		
<b>SER #</b>		<b>CC</b>		<b>IP</b>	69	
<b>HP</b>	.75		<b>NEMA NOM. EFF</b>		74	
<b>VOLTS</b>	115/230					
<b>AMPS</b>	8.2/4.1		<b>PF</b>	78		
<b>RATING</b>	40C AMB-CONT					
<b>RPM</b>	1745					
<b>FRAME</b>	56C	<b>HZ</b>	60	<b>CODE</b>	K	<b>CLASS</b> F
<b>SER.F.</b>	1.15	<b>SF AMP</b>		<b>PH</b>	1	<b>DES</b> N
<b>DE</b>	6205		<b>ODE</b>	6205		
<b>LUBRICATION</b>	POLYREX EM					
						<b>QR</b>
<b>YR</b>						

## Parts list

Part number	Description	Quantity
SA414930	SA 35E4732G409G1	1.000 ea
RA406699	RA 35E4732G409G1	1.000 ea
EC1460A05SP	ELEC CAP, 460-552 MFD, 125V, 2.06D X 3.	1.000 ea
WD3006A01	RSS-2-103JT 2W 10K RES. METAL OXIDE 5%	1.000 ea
ES5503	115/40A,L ,CV ,130CO,.8*2.2*1.4,*4-7-2	1.000 ea
11XW1032G06	10-32 X .38, TAPTITE II, HEX WSHR SLTD U	1.000 ea
35EP1940A05	FRONT TEFC 205 BRG (STAINLESS)	1.000 ea
RM1070A25	O-RING, VITON/FKM .070CS X 6.190ID	1.000 ea
HW4600G01	.984X1.499X.25 VITON SLICK SERIES LIP	1.000 ea
HW4600E99	25 X 42 X 6 AFX SEAL, GRAPHITE INFUSED V	1.000 ea
HW4500S33	1/8 NPT STAINLESS #304 SS PLUG	4.000 ea
HW4500S33	1/8 NPT STAINLESS #304 SS PLUG	4.000 ea
HW5100A05	WVY WSHR F/205 & 304 BRGS	1.000 ea
35EP1935A02	PULLEY 56C/143-5TC ENCL 205 BRG	1.000 ea
RM1070A25	O-RING, VITON/FKM .070CS X 6.190ID	1.000 ea
HW4600G01	.984X1.499X.25 VITON SLICK SERIES LIP	1.000 ea
HW4600E99	25 X 42 X 6 AFX SEAL, GRAPHITE INFUSED V	1.000 ea
RM1070A26	O-RING,4.5MM I.D.X1.5MM C.S. (VITON)	4.000 ea
35FH4005A39	IEC FH NO GREASER DEBURR/CLEAN - SS	1.000 ea
10XN1032FS06	HEX HD CAP SCREW 10-32 X 3/8 SS FOOD SAF	3.000 ea
35CB1510A01G	35 CB LID SINGLE PHASE MACHINED W/ FIPG	1.000 ea
10XN1032FS08	HEX HD CAP SCREW 10-32 X 1/2 SS FOOD SAF	6.000 ea
HW2502D13	SS KEY, 3/16 SQ X 1.375	1.000 ea
HA7000A04	KEY RETAINER 0.625 DIA SHAFTS	1.000 ea
MJ5001A27	32220KN GRAY SEALER *MIN BUY 4 QTS=1GAL	0.005 qt
MJ5004A93	FOOD GRADE (H1 RATED) ANTISEIZE THRD COM	0.005 ea
HA5027A09	DRAIN KIT,(2)HA4002A03 BAGGED W/LABEL	1.000 ea
WD1000A15	3-520132-2 AMP FLAG (4M/RL NON-CANC/NON-	2.000 ea
MJ1000A02	GREASE, POLYREX EM EXXON	0.050 lb
WD5603A02	KIT, CLOSED-END LEAD SPLICE (18-14GA)	1.000 ea
HA7724	CAPACITOR CLAMP & SWITCH BRACKET FOR 35C	1.000 ea

51XW0832A07	8-32 X .44, TAPTITE II, HEX WSHR SLTD SE	2.000 ea
51XN1032A08	10-32 X 0.500 HX WS SL SR ZN	1.000 ea
35FN3002A05SP	EXFN, PLASTIC, 6.376 OD, .638 ID	1.000 ea
11XB1214S16	12-14X1.00 HXWSSLD TYP B STAINLESS	1.000 ea
HA3100FS60	THRUBOLT, 10-32 X 10.375 SS FOOD SAFE	4.000 ea
36PA1000	PKG GRP, PRINT PK1016A06	1.000 ea
MN416A01	TAG-INSTAL-MAINT no wire (2100bx)4/22	1.000 ea
FE-0000016	ZTRG FE ASSEMBLY	1.000 ea
PE-0000016	ZRTG PE ASSEMBLY	1.000 ea

**AC Induction Motor Performance Data**

Record # 89159

Typical performance - not guaranteed values

Winding: 35WGG409-R001		Type: 3530L	Enclosure: TEFC	
<b>Nameplate Data</b>			<b>115 V, 60 Hz: Low Voltage Connection</b>	
Rated Output (HP)	.75	Full Load Torque	2.23 LB-FT	
Volts	115/230	Start Configuration	direct on line	
Full Load Amps	8.2/4.1	Breakdown Torque	5.29 LB-FT	
R.P.M.	1745	Pull-up Torque	3.99 LB-FT	
Hz	60 Phase	1	Locked-rotor Torque	8.9 LB-FT
NEMA Design Code	N KVA Code	K	Starting Current	51.11 A
Service Factor (S.F.)	1.25	No-load Current	4.46 A	
NEMA Nom. Eff.	74 Power Factor	78	Line-line Res. @ 25°C	0.917 Ω A Ph 1.84 Ω B Ph
Rating - Duty	40C AMB-CONT	Temp. Rise @ Rated Load		
S.F. Amps	9.9/4.95	Temp. Rise @ S.F. Load		
		Locked-rotor Power Factor	95.6	
		Rotor inertia	0.217 lb-ft <sup>2</sup>	

**Load Characteristics 115 V, 60 Hz, 0.75 HP**

% of Rated Load	25	50	75	100	125	150	S.F.
Power Factor	41	59	71	77	82	85	82
Efficiency	61.6	73	75.5	75.4	73.4	70.2	73.4
Speed	1786	1773	1759	1744	1726	1702	1726
Line amperes	4.81	5.65	6.82	8.22	9.88	11.8	9.88

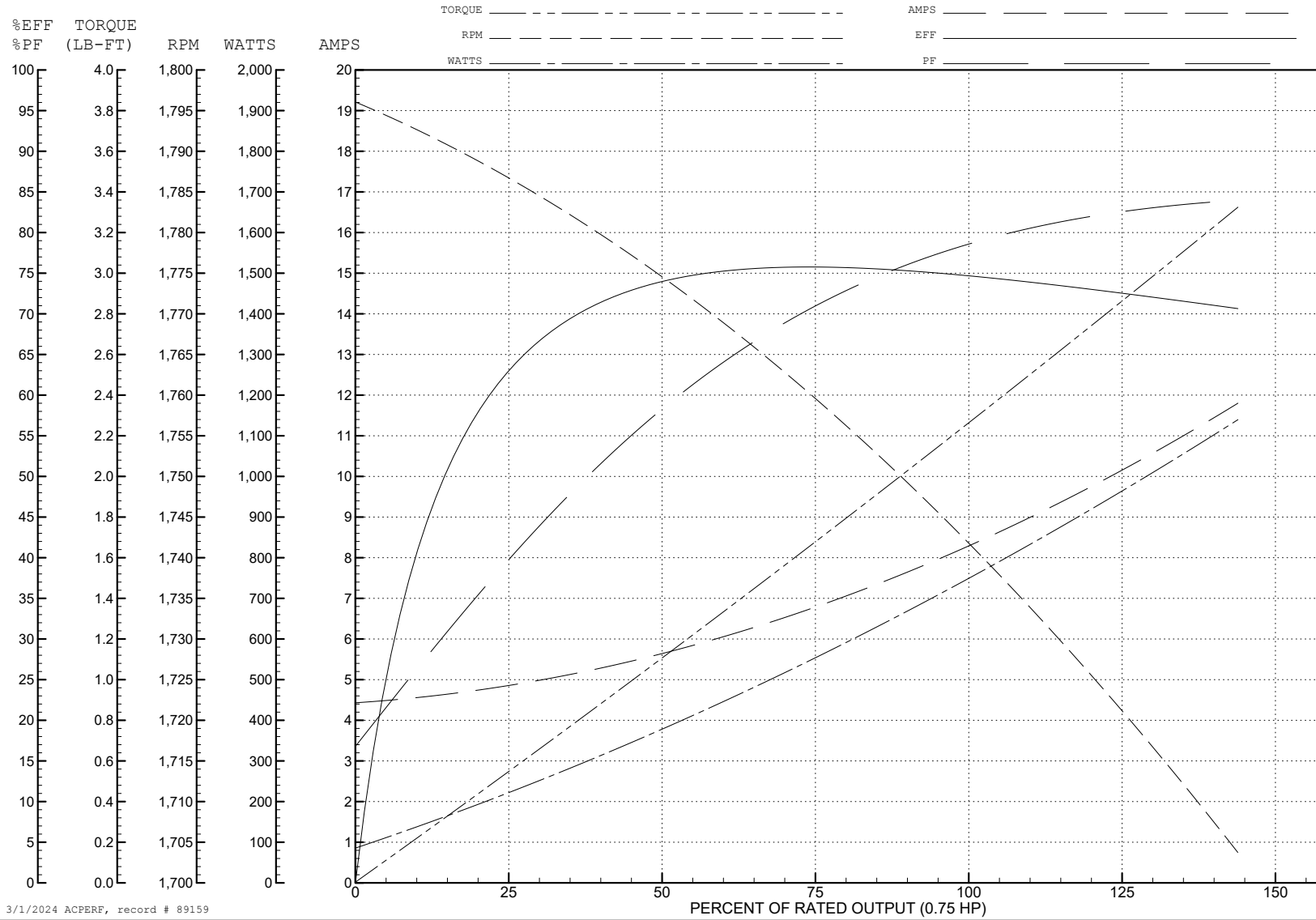
ABB Motors and Mechanical Inc.

WINDING # 35WGG409

Typical performance - not guaranteed values.

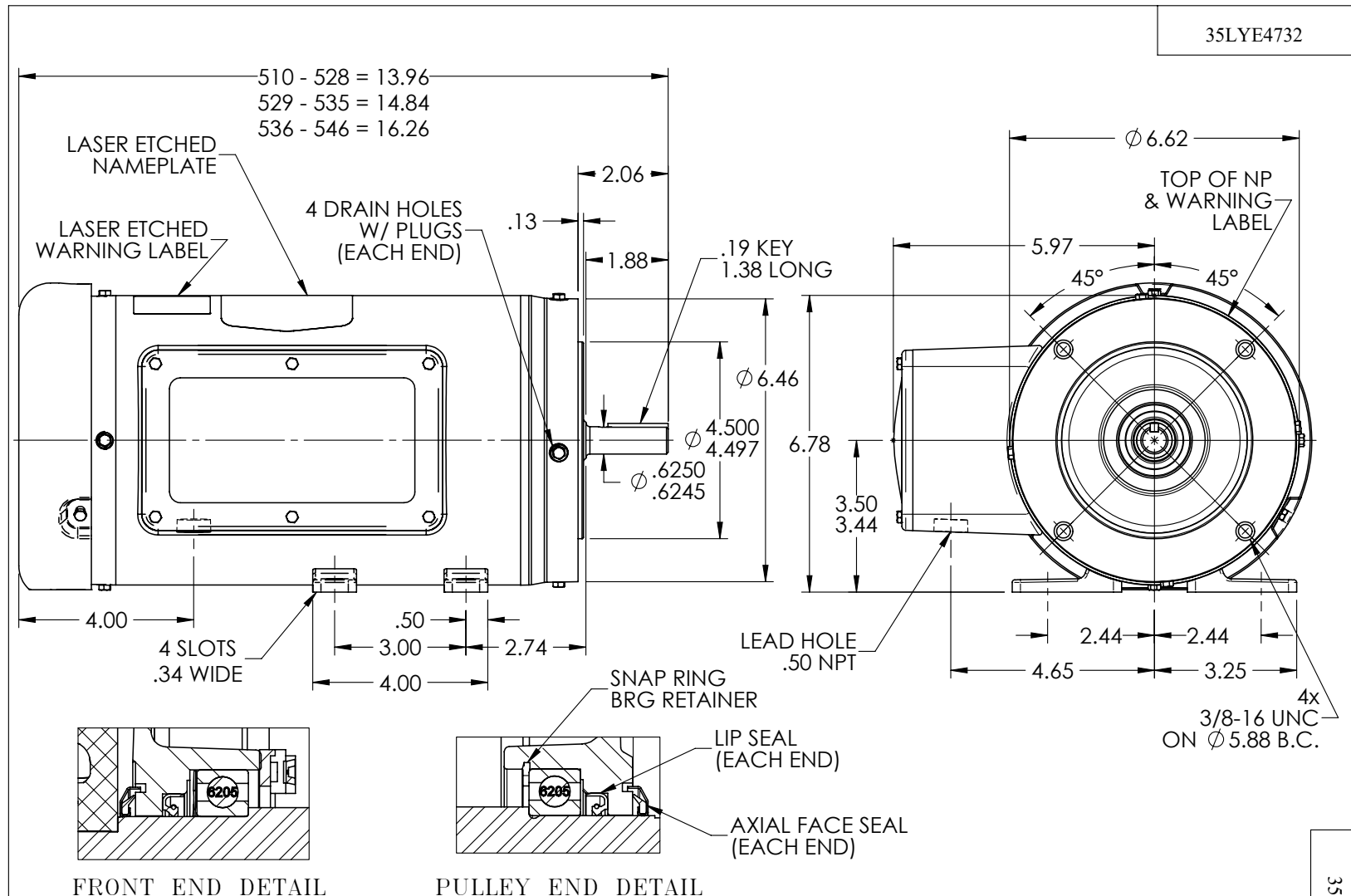
0.75 HP 1 PH 60 HZ 1745 RPM 115 V 3530L

TORQUES (LB-FT): PO=5.29 PU=3.99 LR=8.9 LRA=51.11



3/1/2024 ACPERF, record # 89159





CUSTOMER IS RESPONSIBLE FOR DETERMINING THAT BALDOR'S PRODUCT WILL PERFORM SUITABLY IN THE INTENDED APPLICATION

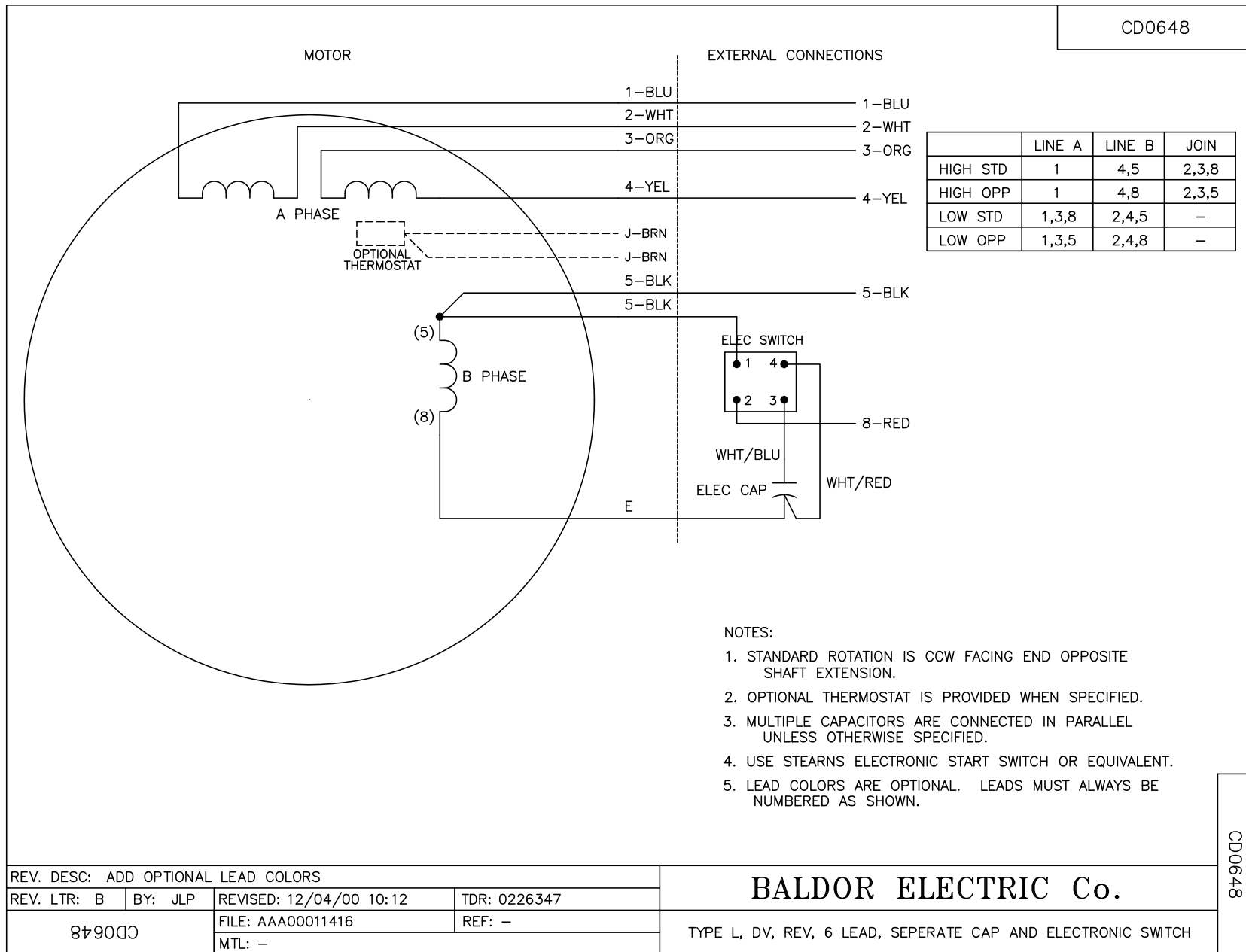
REV. DESC: REMOVE FACE DRAINS & DRAIN FTG; ADD DRAIN PLUG			
REV: A	VERSION: 01	REVISED: 09:24:42 06/14/2023	TDR: 000001202627
35LYE4732		MODEL NO. 35LYE4732	REF: -
		BY: ENFRAJ0	

**BALDOR**

STD HORZ 56C TEFC 35L WD11/12

35LYE4732

CD0648



CD0648

REV. DESC: ADD OPTIONAL LEAD COLORS			
REV. LTR: B	BY: JLP	REVISED: 12/04/00 10:12	TDR: 0226347
879000		FILE: AAA00011416	REF: -
		MTL: -	

**BALDOR ELECTRIC Co.**

TYPE L, DV, REV, 6 LEAD, SEPERATE CAP AND ELECTRONIC SWITCH