

BALDOR® • RELIANCE 

Product Information Packet

CFSWDM3543-E

.75HP, 1160RPM, 3PH, 60HZ, 56C, 3530M, TENV, F1

Part Detail							
Revision:	F	Status:	PRD/A	Change #:		Proprietary:	No
Type:	AC	Elec. Spec:	35WGM619	CD Diagram:	CD0005	Mfg Plant:	
Mech. Spec:	35E4735	Layout:	35LYE4735	Poles:	06	Created Date:	07-28-2017
Base:	RG	Eff. Date:	08-25-2022	Leads:	9#18		

Specs			
Catalog Number:	CFSWDM3543-E	Insulation Class:	H
Enclosure:	TENV	Inverter Code:	Inverter Ready
Frame:	56C	KVA Code:	L
Frame Material:	Stainless Steel	Lifting Lugs:	No Lifting Lugs
Motor Letter Type:	Three Phase	Locked Bearing Indicator:	Locked Bearing
Output @ Frequency:	.750 HP @ 60 HZ	Motor Finish:	UNPAINTED
Synchronous Speed @ Frequency:	1200 RPM @ 60 HZ	Motor Lead Quantity/Wire Size:	9 @ 18 AWG
Voltage @ Frequency:	208.0 V @ 60 HZ	Motor Lead Exit:	Ko Box
	230.0 V @ 60 HZ	Motor Lead Termination:	Flying Leads
	460.0 V @ 60 HZ	Motor Type:	3530M
XP Class and Group:	None	Mounting Arrangement:	F1
XP Division:	Not Applicable	Power Factor:	64
Agency Approvals:	UR	Product Family:	WD All SS Encapsulated
	CSA	Pulley End Bearing Type:	Sealed Bearing
Auxillary Box:	No Auxillary Box	Pulley Face Code:	C-Face
Auxillary Box Lead Termination:	None	Pulley Shaft Indicator:	Standard
Base Indicator:	Rigid	Rodent Screen:	None
Bearing Grease Type:	Polyrex EM (-20F +300F)	RoHS Status:	ROHS COMPLIANT

Blower:	None	Shaft Extension Location:	Pulley End
Current @ Voltage:	1.300 A @ 460.0 V	Shaft Ground Indicator:	No Shaft Grounding
	2.600 A @ 230.0 V	Shaft Rotation:	Reversible
	2.700 A @ 208.0 V	Shaft Slinger Indicator:	No Slinger
Design Code:	B	Speed Code:	Single Speed
Drip Cover:	No Drip Cover	Motor Standards:	NEMA
Duty Rating:	CONT	Starting Method:	Direct on line
Electrically Isolated Bearing:	Not Electrically Isolated	Thermal Device - Bearing:	None
Feedback Device:	NO FEEDBACK	Thermal Device - Winding:	None
Front Face Code:	Standard	Vibration Sensor Indicator:	No Vibration Sensor
Front Shaft Indicator:	None	Winding Thermal 1:	None
Heater Indicator:	No Heater	Winding Thermal 2:	None

Nameplate NP1951A01										
CAT.NO.	CFSWDM3543-E									
SPEC.	35E4735M619G1									
HP	.75									
VOLTS	208-230/460									
AMP	2.7-2.6/1.3									
RPM	1160									
FRAME	56C				HZ	60			PH	3
SER.F.	1.15		CODE	L	DES	B		CLASS	H	
NEMA-NOM-EFF	82.5			PF	64					
RATING	40C AMB-CONT									
CC	USABLE AT 208V									
DE	6205				ODE	6205				
ENCL	TENV		SN							
	4:1CT, 10:1VT									

Parts List		
Part Number	Description	Quantity
SA346328	SA 35E4735M619G1	1.000 EA
RA334838	RA 35E4735M619G1	1.000 EA
35CB1012A02	35 MACH MID SECTION - 3 PC. CONDUIT BOX	1.000 EA
10XN1032FS08	HEX HD CAP SCREW 10-32 X 1/2 SS FOOD SAF	3.000 EA
11XW1032G08	10-32 X .50, TAPTITE II, HEX WSHR SLTD U	1.000 EA
HW3001B02	BRASS CUP WASHER W/GROUND SYMBOL TAB,	1.000 EA
35EP1940A03	FRONT TENV 205 BRG (STAINLESS)	1.000 EA
RM1070A25	O-RING, VITON/FKM .070CS X 6.190ID	1.000 EA
HA4054	SHORT T-DRAIN FITTING, .125" N.P.T.	1.000 EA
HW4500S33	1/8 NPT STAINLESS #304 SS PLUG	3.000 EA
HW5100A05	WVY WSHR F/205 & 304 BRGS	1.000 EA
35EP1935A02	PULLEY 56C/143-5TC ENCL 205 BRG	1.000 EA
RM1070A25	O-RING, VITON/FKM .070CS X 6.190ID	1.000 EA
HW4600G01	.984X1.499X.25 VITON SLICK SERIES LIP	1.000 EA
HW4600E99	25 X 42 X 6 AFX SEAL, GRAPHITE INFUSED V	1.000 EA
HW4500S33	1/8 NPT STAINLESS #304 SS PLUG	3.000 EA
HA4054	SHORT T-DRAIN FITTING, .125" N.P.T.	1.000 EA
RM1070A26	O-RING,4.5MM I.D.X1.5MM C.S. (VITON)	4.000 EA
RM1070A81	O-RING, -043 VITON/FKM .070CS X 3.489ID	1.000 EA
35CB1511A01	35-36-37 MACH. LID - 3 PC. CONDUIT BOX	1.000 EA
RM1070A81	O-RING, -043 VITON/FKM .070CS X 3.489ID	1.000 EA
HW2502D13	SS KEY, 3/16 SQ X 1.375	1.000 EA
HA7000A04	KEY RETAINER 0.625 DIA SHAFTS	1.000 EA
MJ5001A27	32220KN GRAY SEALER *MIN BUY 4 QTS=1GAL	0.005 QT

Parts List (continued)		
Part Number	Description	Quantity
MJ5004A93	FOOD GRADE (H1 RATED) ANTISEIZE THRD COM	0.005 EA
HA1025A21	WSHR,FELT .125" THK	1.000 EA
MJ1000A02	GREASE, POLYREX EM EXXON	0.050 LB
WD5603A01	KIT, CLOSED-END LEAD SPLICE (18-14GA)	1.000 EA
HA3100FS60	THRUBOLT, 10-32 X 10.375 SS FOOD SAFE	4.000 EA
36PA1000	PKG GRP, PRINT PK1016A06	1.000 EA
MN416A01	TAG-INSTAL-MAINT no wire (2200bx) 4/22	1.000 EA
HA5027A07	85XU1208S08 FACE DRAIN PINS BAGGED	1.000 EA
FE-0000005	ZRTG FE ASSEMBLY	1.000 EA
PE-0000006	ZRTG FE ASSEMBLY	1.000 EA

AC Induction Motor Performance Data

Record # 30436

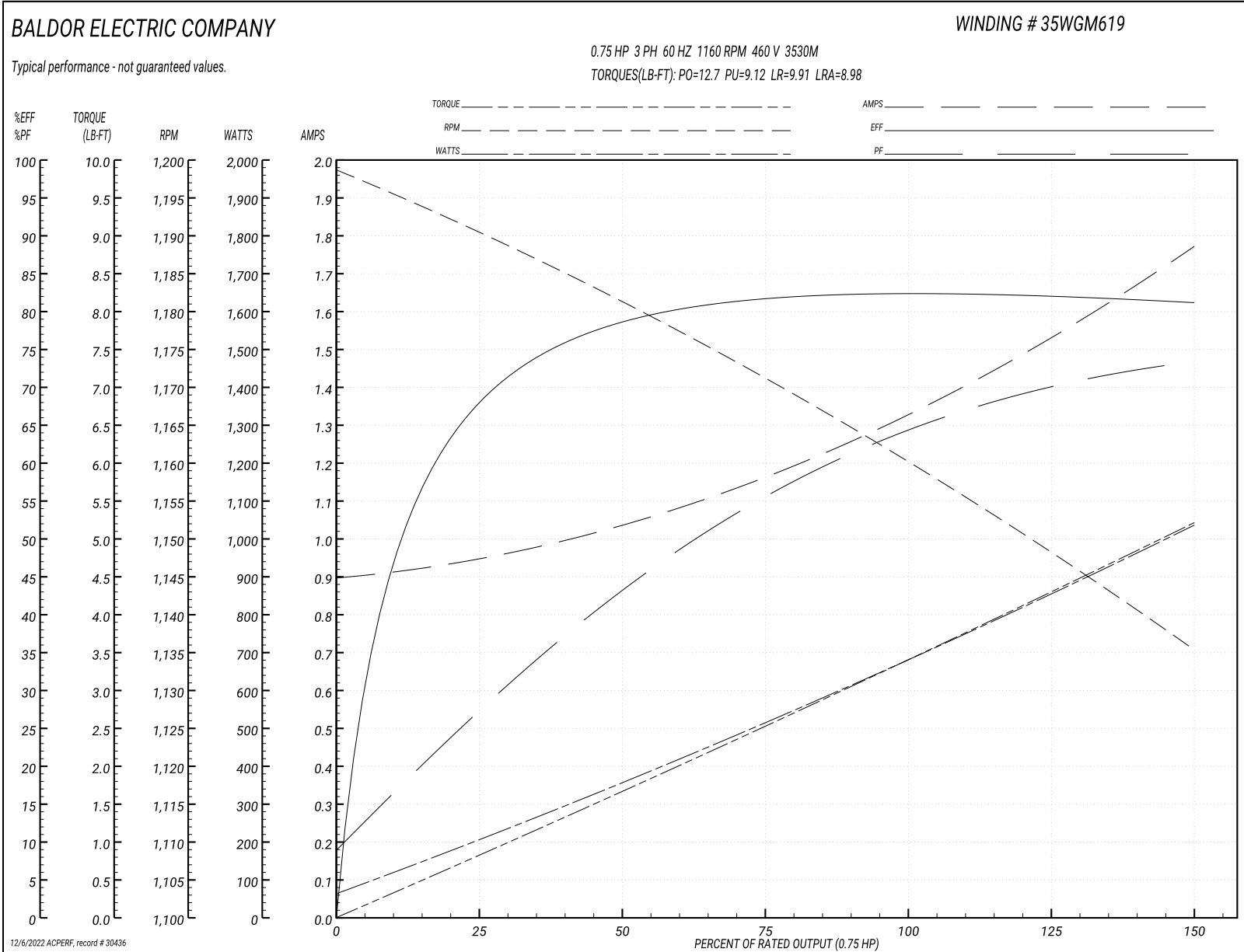
Typical performance - not guaranteed values

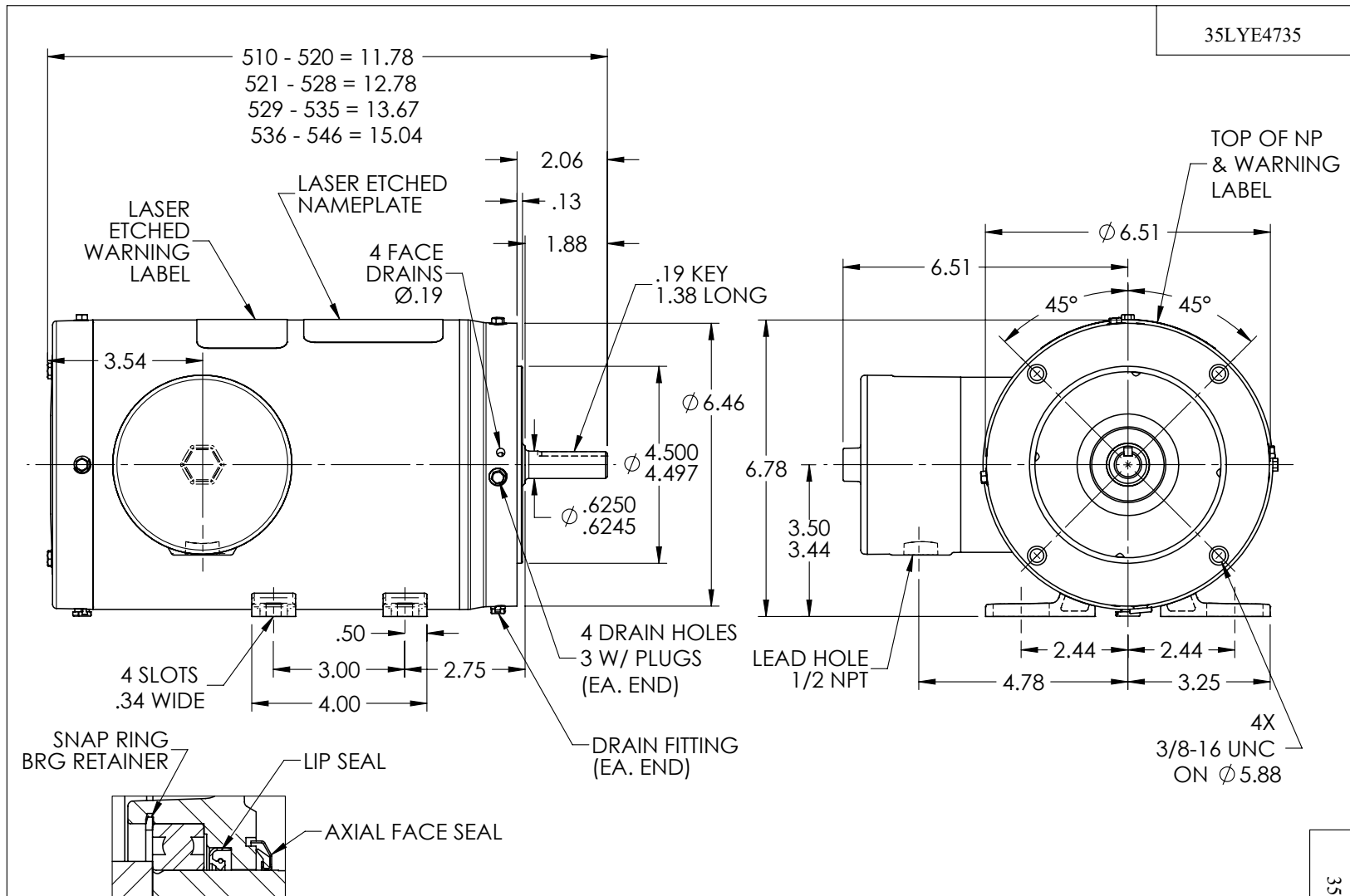
Winding: 35WGM619-R001		Type: 3530M		Enclosure: TENV	
Nameplate Data			460 V, 60 Hz: High Voltage Connection		
Rated Output (HP)	.75	Full Load Torque	3.4 LB-FT		
Volts	208-230/460	Start Configuration	direct on line		
Full Load Amps	2.7-2.6/1.3	Breakdown Torque	12.7 LB-FT		
R.P.M.	1160	Pull-up Torque	9.12 LB-FT		
Hz	60 Phase	3	Locked-rotor Torque	9.91 LB-FT	
NEMA Design Code	B KVA Code	L	Starting Current	8.98 A	
Service Factor (S.F.)	1.15		No-load Current	0.902 A	
NEMA Nom. Eff.	82.5 Power Factor	64	Line-line Res. @ 25°C	17.196 Ω	
Rating - Duty	40C AMB-CONT		Temp. Rise @ Rated Load	71°C	
S.F. Amps			Temp. Rise @ S.F. Load	83°C	

Load Characteristics 460 V, 60 Hz, 0.75 HP

% of Rated Load	25	50	75	100	125	150	S.F.
Power Factor	28	43	56	64	70	74	68
Efficiency	68.1	78.6	82	82.8	82.3	81.1	82.5
Speed	1190.1	1181.2	1170.9	1160.4	1149	1134.9	1154
Line amperes	0.942	1.03	1.17	1.33	1.53	1.77	1.45

Performance Graph at 460V, 60Hz, 0.75HP Typical performance - Not guaranteed values





35LYE4735

PULLEY END DETAIL

CUSTOMER IS RESPONSIBLE FOR DETERMINING THAT THE PRODUCT WILL PERFORM SUITABLY IN THE INTENDED APPLICATION

REV. DESC: UPDATE 3D MODEL BOM PER REV D, NO CHG TO 2D PRINT			
REV: C	VERSION: 03	REVISED: 10:05:48 03/14/2022	TDR: 000001187335
MODEL NO. 35LYE4735		REF: -	
BY: USBUFRA			

BALDOR - RELIANCE®

STD HORZ 56C TENV 35M WD11/12

35LYE4735

CD0005



LOW VOLTAGE
(2Y)



LINE

HIGH VOLTAGE
(1Y)



LINE

NOTES:

1. INTERCHANGE ANY TWO LINE LEADS TO REVERSE ROTATION.
2. OPTIONAL THERMOSTATS ARE PROVIDED WHEN SPECIFIED.
3. ACTUAL NUMBER OF INTERNAL PARALLEL CIRCUITS MAY BE A MULTIPLE OF THOSE SHOWN ABOVE.
4. LEAD COLORS ARE OPTIONAL. LEADS MUST ALWAYS BE NUMBERED AS SHOWN.

REV. DESC: REVISE TO SHOW OPTIONAL COLORS			
REV. LTR: E	BY: JLP	REVISED: 01/19/99 10:15	TDR: 0171435
90000		FILE: AAA00005140	MDL: -
		MTL: -	

BALDOR ELECTRIC Co.

3PH, DV, 9 LEADS

CD0005