

**BALDOR • RELIANCE**

---

# Customer information packet

## CFSWDM41903T

25HP, 1775RPM, 3PH, 60HZ, 284TC, 4068M, TEFC, F

## Specifications

Enclosure	TEFC
Frame	284TC
Frame Material	Stainless Steel
Frequency	60.00 Hz
Motor Letter Type	Three Phase
Output @ Frequency	25.000 HP @ 60 HZ
Phase	3
Synchronous Speed @ Frequency	1800 RPM @ 60 HZ
Voltage @ Frequency	460.0 V @ 60 HZ 230.0 V @ 60 HZ
Agency Approvals	CSA NEMA PREMIUM UR
Ambient Temperature	40 °C
Auxillary Box	No Auxillary Box
Auxillary Box Lead Termination	None
Base Indicator	Rigid
Bearing Grease Type	Polyrex EM (-20F +300F)
Blower	None
Current @ Voltage	30.000 A @ 460.0 V 60.000 A @ 230.0 V
Design Code	A
Drip Cover	No Drip Cover
Duty Rating	CONT
Efficiency @ 100% Load	93.6 %
Electrically Isolated Bearing	Not Electrically Isolated
Feedback Device	NO FEEDBACK
Front Face Code	Standard
Front Shaft Indicator	None
Heater Indicator	No Heater
High Voltage Full Load Amps	30.0 a
Insulation Class	H

## Part detail

Revision	K
Type	AC
Mech. spec.	40E429
Base	
Status	PRD/A
Elec. spec.	40WGX292
Layout	40LYE429
Eff. date	09-22-2023
CD Diagram	CD0180
Poles	04
Leads	9#10
Proprietary	False
Created date	01-10-2018

<b>Inverter Code</b>	Inverter Ready
<b>KVA Code</b>	H
<b>Lifting Lugs</b>	Standard Lifting Lugs
<b>Locked Bearing Indicator</b>	Locked Bearing
<b>Motor Lead Exit</b>	Ko Box
<b>Motor Lead Quantity/Wire Size</b>	9 @ 10 AWG
<b>Motor Lead Termination</b>	Flying Leads
<b>Motor Standards</b>	NEMA
<b>Motor Type</b>	4068M
<b>Mounting Arrangement</b>	F1
<b>Number of Poles</b>	4
<b>Overall Length</b>	28.14 IN
<b>Power Factor</b>	84
<b>Product Family</b>	WD All SD Non-Encapsulated
<b>Pulley End Bearing Type</b>	Ball
<b>Pulley Face Code</b>	C-Face
<b>Pulley Shaft Indicator</b>	Standard
<b>Rodent Screen</b>	None
<b>RoHS Status</b>	ROHS COMPLIANT
<b>Service Factor</b>	1.15
<b>Shaft Diameter</b>	1.875 IN
<b>Shaft Extension Location</b>	Pulley End
<b>Shaft Ground Indicator</b>	No Shaft Grounding
<b>Shaft Rotation</b>	Reversible
<b>Shaft Slinger Indicator</b>	No Slinger
<b>Speed</b>	1775 rpm
<b>Speed Code</b>	Single Speed
<b>Starting Method</b>	Direct on line
<b>Thermal Device - Bearing</b>	None
<b>Thermal Device - Winding</b>	None
<b>Vibration Sensor Indicator</b>	No Vibration Sensor
<b>Winding Thermal 1</b>	None
<b>Winding Thermal 2</b>	None

Nameplate

NP4427AAA05

CAT #	CFSWDM41903T	LBS	
SPEC	40E429X292G1	ENCL	TEFC
SER #		CC	010A IP 69
HP	25	MAG CUR	24/12
VOLTS	230/460	NEMA NOM. EFF	93.6
AMPS	60/30	PF	84
RATING	40C AMB-CONT		
RPM	1775	MAX RPM	2700
FRAME	284TC HZ 60	CODE	H CLASS H
SER.F.	1.15 SF AMP	PH	3 DES A
DE	6311	ODE	6311
LUBRICATION	POLYREX EM		
ID LOGO	VPWM	CHP	60 TO 90 1.5:1
ID LOGO	WK2	5.41	CT 12 TO 60 5:1
ID LOGO	SL HZ	0.8	VT 6 TO 60 10:1
			QR
YR			

## Parts list

Part number	Description	Quantity
SA350025	SA 40E429X292G1	1.000 ea
RA338675	RA 40E429X292G1	1.000 ea
09FN3001A02SP	EXTERNAL FAN, PLASTIC (COMES W/SCREW FRO	1.000 ea
40CB1001A01	40 MACH. MID SECTION - 3 PC. CONDUIT BOX	1.000 ea
10XN2520S12	BOLT 1/4 - 20X 3/4 HEX HEAD SS (F/S)	4.000 ea
HW1001S25	WASHER, 1/4 SPLT LK, STAINLESS STEEL	4.000 ea
RM1070A82	O-RING, -055 VITON/FKM .070CS X 6.489 ID	1.000 ea
10XN2520G06	1/4 20X3/8 HX HD CAP, GREEN	1.000 ea
WD1000B16	T&B CX70TN OR L70P TERMINAL LUG	1.000 ea
40EP1901A02	FREP, MACH - 311 BRG WD11 SS	1.000 ea
RM1070A83	O-RING, VITON/FKM .070CS X 12.500 ID	1.000 ea
HW4500S33	1/8 NPT STAINLESS #304 SS PLUG	4.000 ea
HW4500S33	1/8 NPT STAINLESS #304 SS PLUG	4.000 ea
HW4600H05	55 X 75 X 8 LIP SEAL, GRAPHITE INFUSED V	1.000 ea
HW4600G75	55 X 75 X 5.5 AFS SEAL, GRAPHITE INFUSED	1.000 ea
HW4600H05	55 X 75 X 8 LIP SEAL, GRAPHITE INFUSED V	1.000 ea
HW4600G75	55 X 75 X 5.5 AFS SEAL, GRAPHITE INFUSED	1.000 ea
HW5100A13	W4627-047 WVY WSHR	1.000 ea
40EP1900A02	PUEP, MACH - 311 BRG WD11 SS	1.000 ea
RM1070A83	O-RING, VITON/FKM .070CS X 12.500 ID	1.000 ea
RM1070A78	O-RING, -012 VITON/FKM .070CS X .364ID	4.000 ea
40CB1500A01	40 MACH. LID - 3 PC. SS CONDUIT BOX	1.000 ea
RM1070A82	O-RING, -055 VITON/FKM .070CS X 6.489 ID	1.000 ea
51XB1214S20	12-14X1.25 HXWSSLD SERTYB, SS	1.000 ea
10FH4018A01	304 SS FAN HOUSING & BASE PLATE FOR HORZ	1.000 ea
10XN2520S08	SCREW, 1/4-20 X 1/2 HHCS SS	4.000 ea
HW2502H28	#303 SS,SQ KEY 1/2 X 3.250	1.000 ea
MJ5004A93	FOOD GRADE (H1 RATED) ANTISEIZE THRD COM	0.005 ea
MJ5001A27	32220KN GRAY SEALER *MIN BUY 4 QTS=1GAL	0.031 qt
MJ1000B13	PETROLATUM, OR PETROLEUM JELLY	0.010 oz
HA5027A09	DRAIN KIT,(2)HA4002A03 BAGGED W/LABEL	4.000 ea

MJ1000A02	GREASE, POLYREX EM EXXON	0.050 lb
HW2502F10	KEY, 5/16 SQ X 1.000 303 STAIMLESS STEEL	1.000 ea
HA3105FS16	THRUBOLT, 3/8-16 X 18.750 SS FOOD SAFE	4.000 ea
WD4006A11	WIRE JOINT, 6-14 AWG, SILICONE FILLED	6.000 ea
40PA1000	PACKAGING GROUP	1.000 ea
MN416A01	TAG-INSTAL-MAINT no wire (2100bx)4/22	1.000 ea
FE-0000022	ZRTG FE ASSEMBLY	1.000 ea
PE-0000013	ZRTG PE ASSEMBLY	1.000 ea

**AC Induction Motor Performance Data**

Record # 70431

Typical performance - not guaranteed values

<b>Winding: 40WGX292-R001</b>		<b>Type: 4068M</b>		<b>Enclosure: TEFC</b>	
<b>Nameplate Data</b>			<b>460 V, 60 Hz: High Voltage Connection</b>		
<b>Rated Output (HP)</b>	25	<b>Full Load Torque</b>	73.77 LB-FT		
<b>Volts</b>	230/460	<b>Start Configuration</b>	direct on line		
<b>Full Load Amps</b>	60/30	<b>Breakdown Torque</b>	253 LB-FT		
<b>R.P.M.</b>	1775	<b>Pull-up Torque</b>	114 LB-FT		
<b>Hz</b>	60 <b>Phase</b>	3	<b>Locked-rotor Torque</b>	149 LB-FT	
<b>NEMA Design Code</b>	A <b>KVA Code</b>	H	<b>Starting Current</b>	211 A	
<b>Service Factor (S.F.)</b>	1.15	<b>No-load Current</b>	12 A		
<b>NEMA Nom. Eff.</b>	93.6 <b>Power Factor</b>	84	<b>Line-line Res. @ 25°C</b>	0.24122 Ω	
<b>Rating - Duty</b>	40C AMB-CONT	<b>Temp. Rise @ Rated Load</b>	69°C		
<b>S.F. Amps</b>		<b>Temp. Rise @ S.F. Load</b>	82°C		
		<b>Locked-rotor Power Factor</b>	30.2		

**Load Characteristics 460 V, 60 Hz, 25 HP**

<b>% of Rated Load</b>	<b>25</b>	<b>50</b>	<b>75</b>	<b>100</b>	<b>125</b>	<b>150</b>	<b>S.F.</b>
<b>Power Factor</b>	47	69	79	84	86	87	85
<b>Efficiency</b>	89.8	93.4	94.1	94.1	93.7	92.9	93.9
<b>Speed</b>	1794.2	1788.5	1782.1	1775.7	1769.6	1761.7	1772
<b>Line amperes</b>	13.9	18.1	23.5	29.6	36.3	43.6	33.6

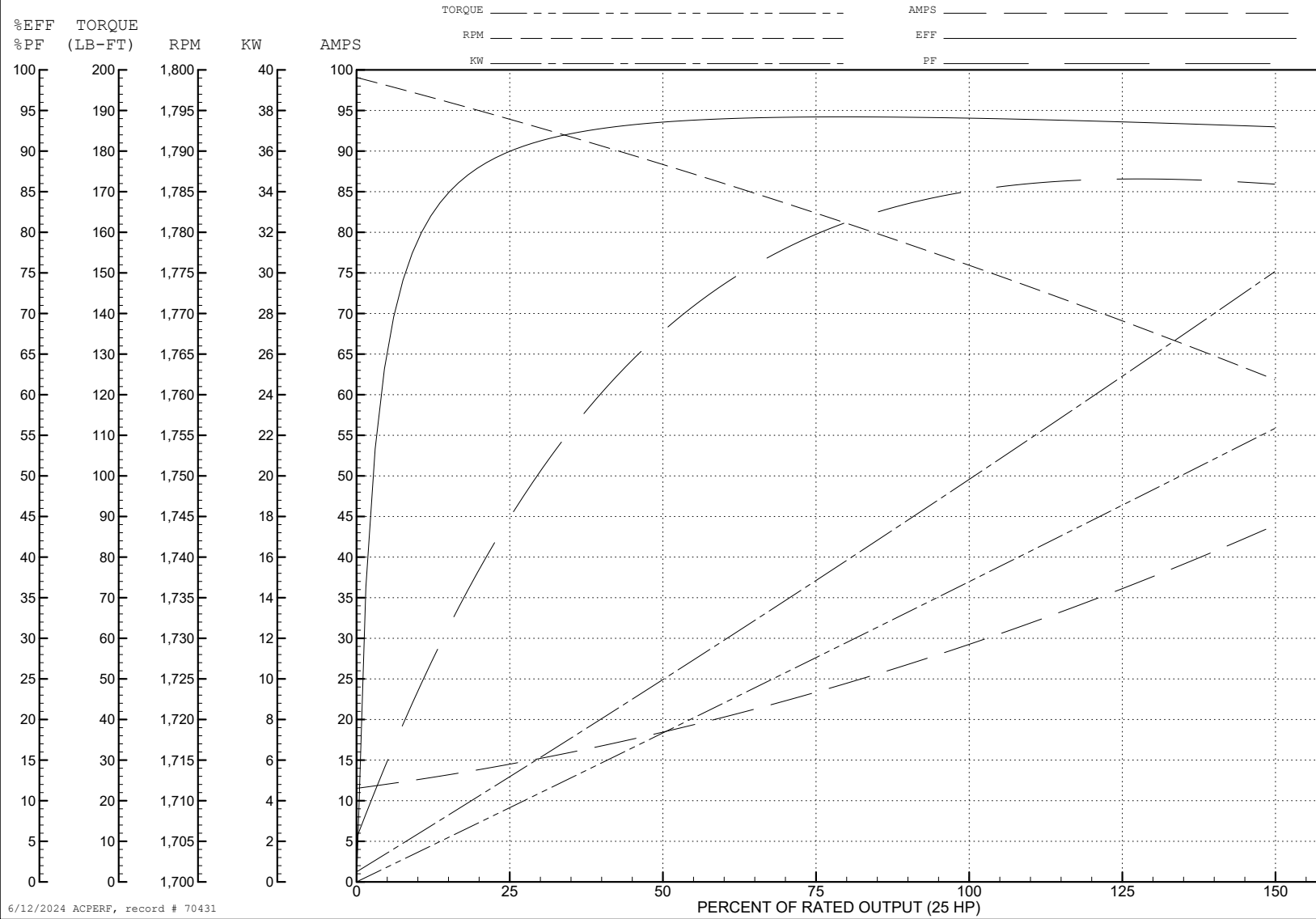
ABB Motors and Mechanical Inc.

WINDING # 40WGx292

Typical performance - not guaranteed values.

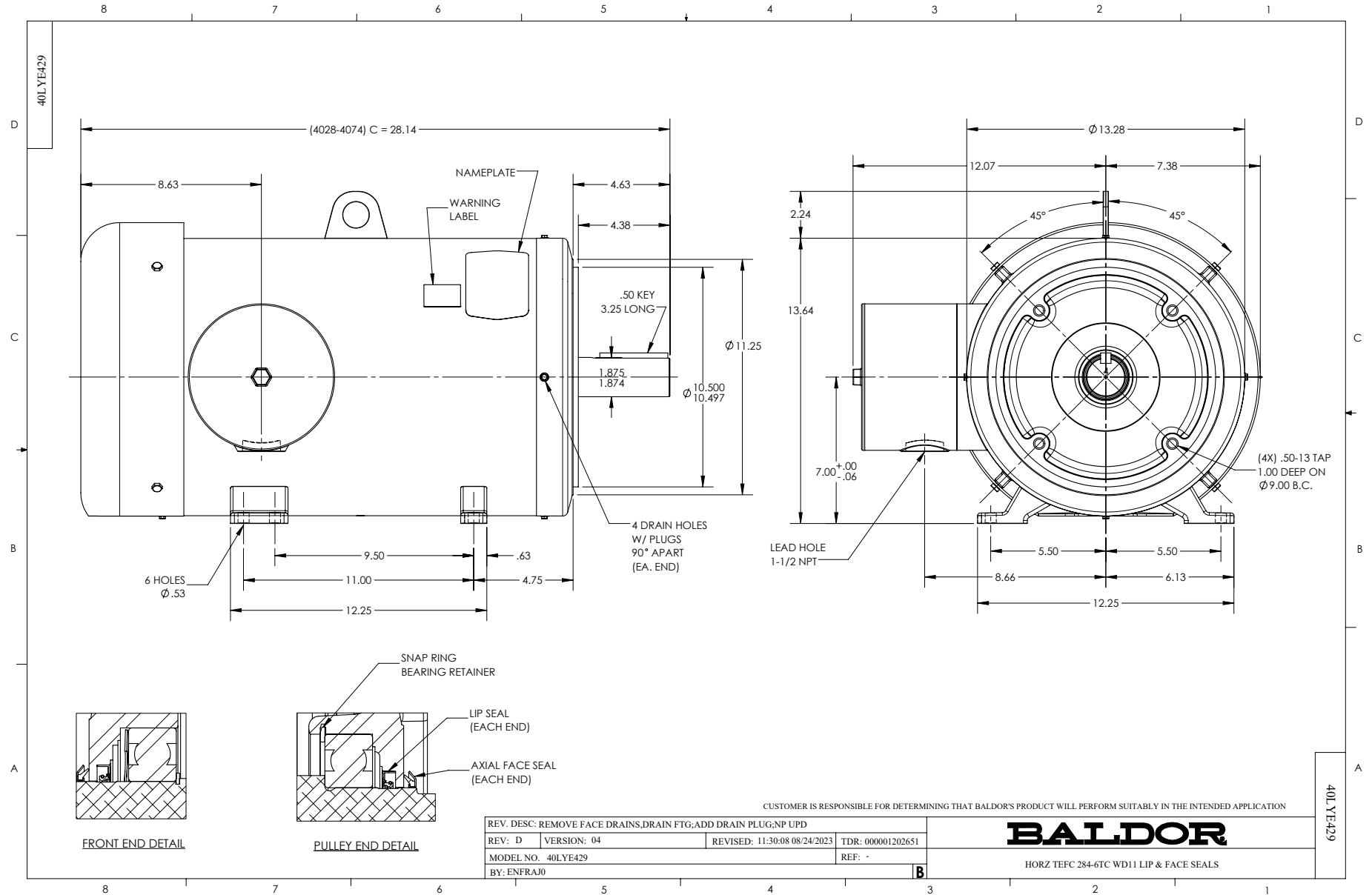
25 HP 3 PH 60 HZ 1775 RPM 460 V 4068M

TORQUES (LB-FT): PO=253 PU=114 LR=149 LRA=211

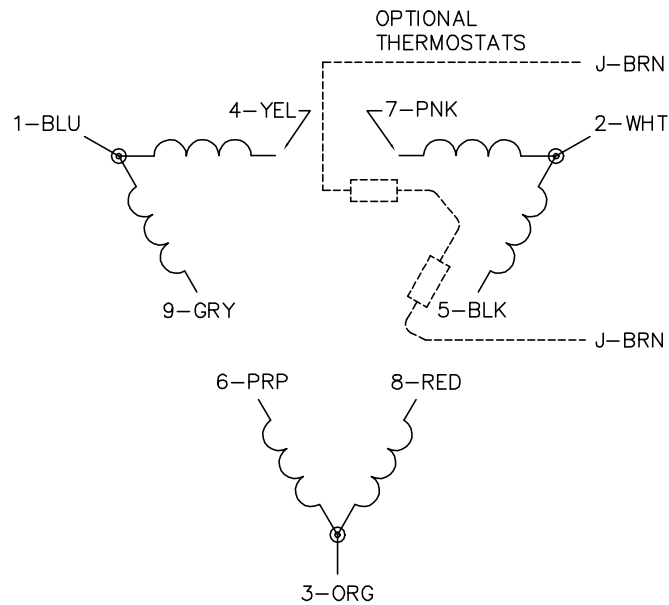


6/12/2024 ACPERF, record # 70431

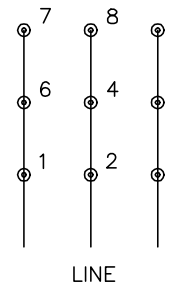




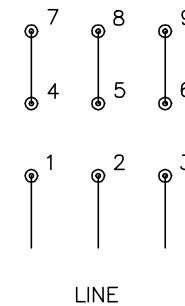
CD0180



LOW VOLTAGE  
(2D)



HIGH VOLTAGE  
(1D)



NOTES:

1. INTERCHANGE ANY TWO LINE LEADS TO REVERSE ROTATION.
2. OPTIONAL THERMOSTATS ARE PROVIDED WHEN SPECIFIED.
3. ACTUAL NUMBER OF INTERNAL PARALLEL CIRCUITS MAY BE A MULTIPLE OF THOSE SHOWN ABOVE.
4. LEAD COLORS ARE OPTIONAL. LEADS MUST ALWAYS BE NUMBERED AS SHOWN.

CD0180

REV. DESC: ADD CLASS CONN00000007		
REV. LTR: D	VERSION: 01	TDR: 000001099922
FILE: \AAA\00005\148	REVISED: 10:25:29 02/19/2019	BY: ENBRIRO
MTL: -	© □	

**BALDOR - RELIANCE®**

3PH, DV, 9 LEADS, DELTA CONNECTION

SH 1 of 1