



---

# Customer information packet

## CFSWDNM3554-E

1.5HP, 1750RPM, 3PH, 60HZ, 56C, 3540M, TENV, F1

Class - None

Division - Not Applicable

## Specifications

|                                |   |
|--------------------------------|---|
| Enclosure                      | TENV  |
| Frame                          | 56C   |
| Frame Material                 | Stainless Steel   |
| Frequency                      | 60.00 Hz  |
| Motor Letter Type              | Three Phase   |
| Output @ Frequency             | 1.500 HP @ 60 HZ  |
| Phase                          | 3   |
| Synchronous Speed @ Frequency  | 1800 RPM @ 60 HZ  |
| Voltage @ Frequency            | 230.0 V @ 60 HZ<br>460.0 V @ 60 HZ                          |
| XP Class and Group             | None  |
| XP Division                    | Not Applicable  |
| Agency Approvals               | UR<br>CSA   |
| Ambient Temperature            | 40 °C   |
| Auxillary Box                  | No Auxillary Box  |
| Auxillary Box Lead Termination | None  |
| Base Indicator                 | Rigid   |
| Bearing Grease Type            | Polyrex EM (-20F +300F)                                     |
| Blower                         | None  |
| Current @ Voltage              | 2.100 A @ 460.0 V<br>4.200 A @ 230.0 V<br>4.400 A @ 208.0 V |
| Design Code                    | B   |
| Drip Cover                     | No Drip Cover   |
| Duty Rating                    | CONT  |
| Efficiency @ 100% Load         | 86.5 %  |
| Electrically Isolated Bearing  | Not Electrically Isolated                                   |
| Feedback Device                | NO FEEDBACK   |
| Front Face Code                | Standard  |
| Front Shaft Indicator          | None  |
| Heater Indicator               | No Heater   |

## Part detail

|              |            |
|--------------|------------|
| Revision     | F          |
| Type         | AC         |
| Mech. spec.  | 35E4735    |
| Base         |            |
| Status       | PRD/A      |
| Elec. spec.  | 35WGL761   |
| Layout       | 35LYE4735  |
| Eff. date    | 08-25-2022 |
| CD Diagram   | CD0005     |
| Poles        | 04         |
| Leads        | 9#18       |
| Proprietary  | False      |
| Created date | 07-18-2017 |

|                               |                        |
|-------------------------------|------------------------|
| High Voltage Full Load Amps   | 2.1 a                  |
| Insulation Class              | H                      |
| Inverter Code                 | Inverter Ready         |
| KVA Code                      | L                      |
| Lifting Lugs                  | No Lifting Lugs        |
| Locked Bearing Indicator      | Locked Bearing         |
| Motor Finish                  | UNPAINTED              |
| Motor Lead Exit               | Ko Box                 |
| Motor Lead Quantity/Wire Size | 9 @ 18 AWG             |
| Motor Lead Termination        | Flying Leads           |
| Motor Standards               | NEMA                   |
| Motor Type                    | 3540M                  |
| Mounting Arrangement          | F1                     |
| Number of Poles               | 4                      |
| Overall Length                | 15.04 IN               |
| Power Factor                  | 77                     |
| Product Family                | WD All SS Encapsulated |
| Pulley End Bearing Type       | Sealed Bearing         |
| Pulley Face Code              | C-Face                 |
| Pulley Shaft Indicator        | Standard               |
| Rodent Screen                 | None                   |
| RoHS Status                   | ROHS COMPLIANT         |
| Service Factor                | 1.15                   |
| Shaft Diameter                | 0.625 IN               |
| Shaft Extension Location      | Pulley End             |
| Shaft Ground Indicator        | No Shaft Grounding     |
| Shaft Rotation                | Reversible             |
| Shaft Slinger Indicator       | No Slinger             |
| Speed                         | 1750 rpm               |
| Speed Code                    | Single Speed           |
| Starting Method               | Direct on line         |
| Thermal Device - Bearing      | None                   |
| Thermal Device - Winding      | None                   |
| Vibration Sensor Indicator    | No Vibration Sensor    |

|                   |      |
|-------------------|------|
| Winding Thermal 1 | None |
| Winding Thermal 2 | None |

---

**Nameplate**

| <b>NP1953A01</b>    |               |             |                       |            |   |              |   |  |  |
|---------------------|---------------|-------------|-----------------------|------------|---|--------------|---|--|--|
| <b>CAT.NO.</b>      | CFSWDNM3554-E |             |                       |            |   |              |   |  |  |
| <b>SPEC.</b>        | 35E4735L761G1 |             |                       |            |   |              |   |  |  |
| <b>HP</b>           | 1.5           |             |                       |            |   |              |   |  |  |
| <b>VOLTS</b>        | 230/460       |             |                       |            |   |              |   |  |  |
| <b>AMP</b>          | 4.2/2.1       |             |                       |            |   |              |   |  |  |
| <b>RPM</b>          | 1750          |             |                       |            |   |              |   |  |  |
| <b>FRAME</b>        | 56C           |             | <b>HZ</b>             | 60         |   | <b>PH</b>    | 3 |  |  |
| <b>SER.F.</b>       | 1.15          | <b>CODE</b> | L                     | <b>DES</b> | B | <b>CLASS</b> | H |  |  |
| <b>NEMA-NOM-EFF</b> | 86.5          | <b>PF</b>   | 77                    |            |   |              |   |  |  |
| <b>RATING</b>       | 40C AMB-CONT  |             |                       |            |   |              |   |  |  |
| <b>CC</b>           | 010A          |             | <b>USABLE AT 208V</b> |            |   | 4.4          |   |  |  |
| <b>DE</b>           | 6205          | <b>ODE</b>  | 6205                  |            |   |              |   |  |  |
| <b>ENCL</b>         | TENV          | <b>SN</b>   |                       |            |   |              |   |  |  |
|                     | 4:1CT, 10:1VT |             |                       |            |   |              |   |  |  |

## Parts list

| Part number  | Description                              | Quantity |
|--------------|--|----------|
| SA346336     | SA 35E4735L761G1                         | 1.000 ea |
| RA334846     | RA 35E4735L761G1                         | 1.000 ea |
| 35CB1012A02  | 35 MACH MID SECTION - 3 PC. CONDUIT BOX  | 1.000 ea |
| 10XN1032FS08 | HEX HD CAP SCREW 10-32 X 1/2 SS FOOD SAF | 3.000 ea |
| 11XW1032G08  | 10-32 X .50, TAPTITE II, HEX WSHR SLTD U | 1.000 ea |
| HW3001B02    | BRASS CUP WASHER W/GROUND SYMBOL TAB,    | 1.000 ea |
| 35EP1940A03  | FRONT TENV 205 BRG (STAINLESS)           | 1.000 ea |
| RM1070A25    | O-RING, VITON/FKM .070CS X 6.190ID       | 1.000 ea |
| HA4054       | SHORT T-DRAIN FITTING, .125" N.P.T.      | 1.000 ea |
| HW4500S33    | 1/8 NPT STAINLESS #304 SS PLUG           | 3.000 ea |
| HW5100A05    | WVY WSHR F/205 & 304 BRGS                | 1.000 ea |
| 35EP1935A02  | PULLEY 56C/143-5TC ENCL 205 BRG          | 1.000 ea |
| RM1070A25    | O-RING, VITON/FKM .070CS X 6.190ID       | 1.000 ea |
| HW4600G01    | .984X1.499X.25 VITON SLICK SERIES LIP    | 1.000 ea |
| HW4600E99    | 25 X 42 X 6 AFX SEAL, GRAPHITE INFUSED V | 1.000 ea |
| HW4500S33    | 1/8 NPT STAINLESS #304 SS PLUG           | 3.000 ea |
| HA4054       | SHORT T-DRAIN FITTING, .125" N.P.T.      | 1.000 ea |
| RM1070A26    | O-RING,4.5MM I.D.X1.5MM C.S. (VITON)     | 4.000 ea |
| RM1070A81    | O-RING, -043 VITON/FKM .070CS X 3.489ID  | 1.000 ea |
| 35CB1511A01  | 35-36-37 MACH. LID - 3 PC. CONDUIT BOX   | 1.000 ea |
| RM1070A81    | O-RING, -043 VITON/FKM .070CS X 3.489ID  | 1.000 ea |
| HW2502D13    | SS KEY, 3/16 SQ X 1.375                  | 1.000 ea |
| HA7000A04    | KEY RETAINER 0.625 DIA SHAFTS            | 1.000 ea |
| MJ5001A27    | 32220KN GRAY SEALER *MIN BUY 4 QTS=1GAL  | 0.005 qt |
| MJ5004A93    | FOOD GRADE (H1 RATED) ANTISEIZE THRD COM | 0.005 ea |
| HA1025A21    | WSHR,FELT .125" THK                      | 1.000 ea |
| MJ1000A02    | GREASE, POLYREX EM EXXON                 | 0.050 lb |
| WD5603A01    | KIT, CLOSED-END LEAD SPLICE (18-14GA)    | 1.000 ea |
| HA3100FS61   | THRUBOLT, 10-32 X 11.750 SS FOOD SAFE    | 4.000 ea |
| 36PA1000     | PKG GRP, PRINT PK1016A06                 | 1.000 ea |
| MN416A01     | TAG-INSTAL-MAINT no wire (2100bx)4/22    | 1.000 ea |

|            |                                    |          |
|------------|------------------------------------|----------|
| HA5027A07  | 85XU1208S08 FACE DRAIN PINS BAGGED | 1.000 ea |
| FE-0000005 | ZRTG FE ASSEMBLY                   | 1.000 ea |
| PE-0000016 | ZRTG PE ASSEMBLY                   | 1.000 ea |

**AC Induction Motor Performance Data**

Record # 65290

Typical performance - not guaranteed values

| Winding: 35WGL761-R001 |                   | Type: 3540M               | Enclosure: TENV                                  |             |
|------------------------|-------------------|---------------------------|--|-------------|
| <b>Nameplate Data</b>  |                   |                           | <b>460 V, 60 Hz:<br/>High Voltage Connection</b> |             |
| Rated Output (HP)      | 1.5               | Full Load Torque          | 4.5 LB-FT  |             |
| Volts                  | 230/460           | Start Configuration       | direct on line                                   |             |
| Full Load Amps         | 4.2/2.1           | Breakdown Torque          | 20.03 LB-FT                                      |             |
| R.P.M.                 | 1750              | Pull-up Torque            | 12.76 LB-FT                                      |             |
| Hz                     | 60 Phase          | 3                         | Locked-rotor Torque                              | 15.53 LB-FT |
| NEMA Design Code       | B KVA Code        | L                         | Starting Current                                 | 18.5 A      |
| Service Factor (S.F.)  | 1.15              | No-load Current           | 1.09 A   |             |
| NEMA Nom. Eff.         | 86.5 Power Factor | 77                        | Line-line Res. @ 25°C                            | 8.6 Ω       |
| Rating - Duty          | 40C AMB-CONT      | Temp. Rise @ Rated Load   | 80°C   |             |
| S.F. Amps              |                   | Temp. Rise @ S.F. Load    | 97°C   |             |
|                        |                   | Locked-rotor Power Factor | 45.3   |             |
|                        |                   | Rotor inertia             | 0.236 LB-FT <sup>2</sup>                         |             |

**Load Characteristics 460 V, 60 Hz, 1.5 HP**

| % of Rated Load | 25   | 50   | 75   | 100  | 125  | 150  | S.F. |
|-----------------|------|------|------|------|------|------|------|
| Power Factor    | 36   | 58   | 70   | 77   | 82   | 85   | 80   |
| Efficiency      | 81   | 87.9 | 88.8 | 88.6 | 87.6 | 86.5 | 88   |
| Speed           | 1789 | 1778 | 1766 | 1754 | 1741 | 1726 | 1746 |
| Line amperes    | 1.2  | 1.39 | 1.7  | 2.05 | 2.44 | 2.89 | 2.28 |



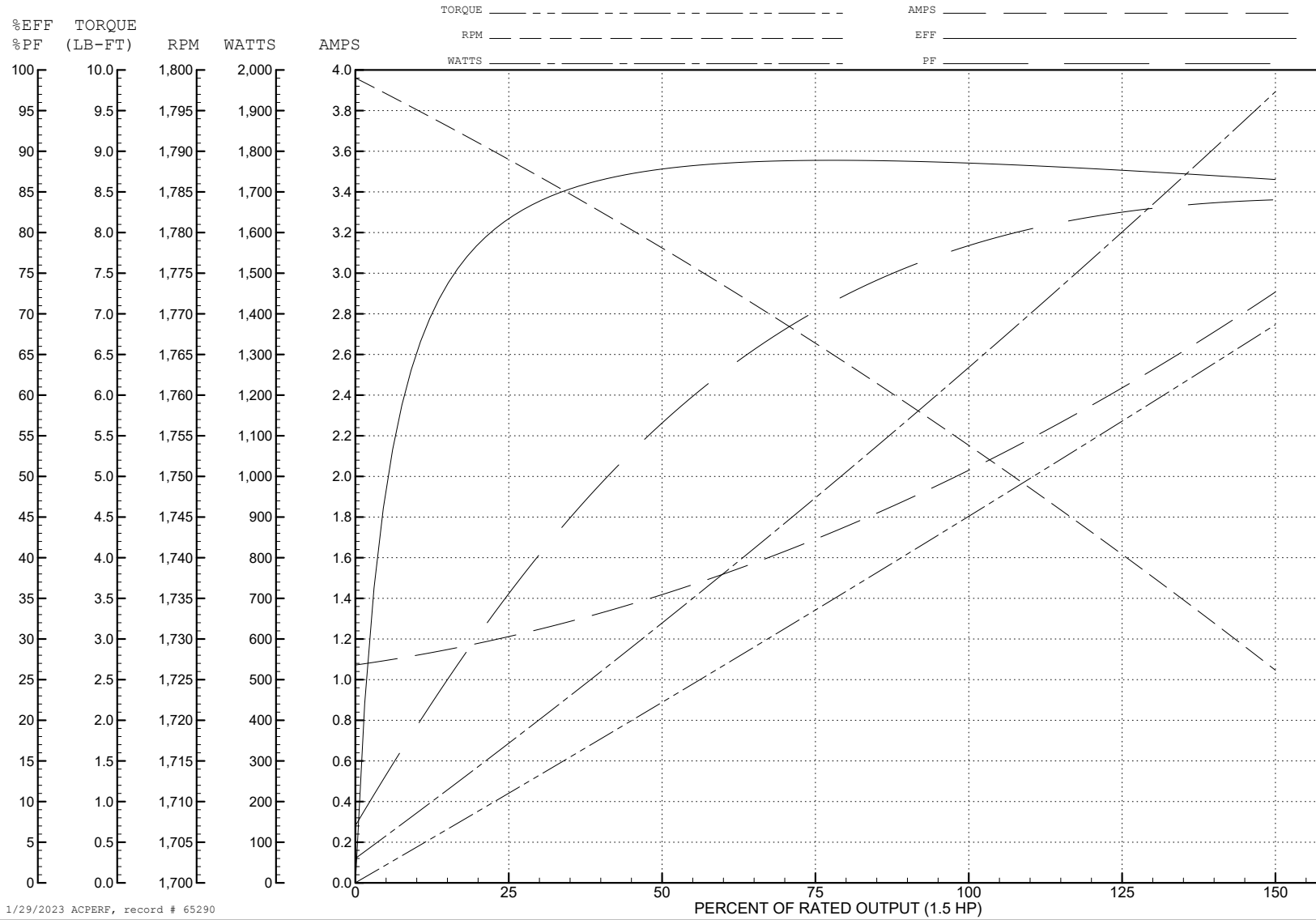
ABB Motors and Mechanical Inc.

WINDING # 35WGL761

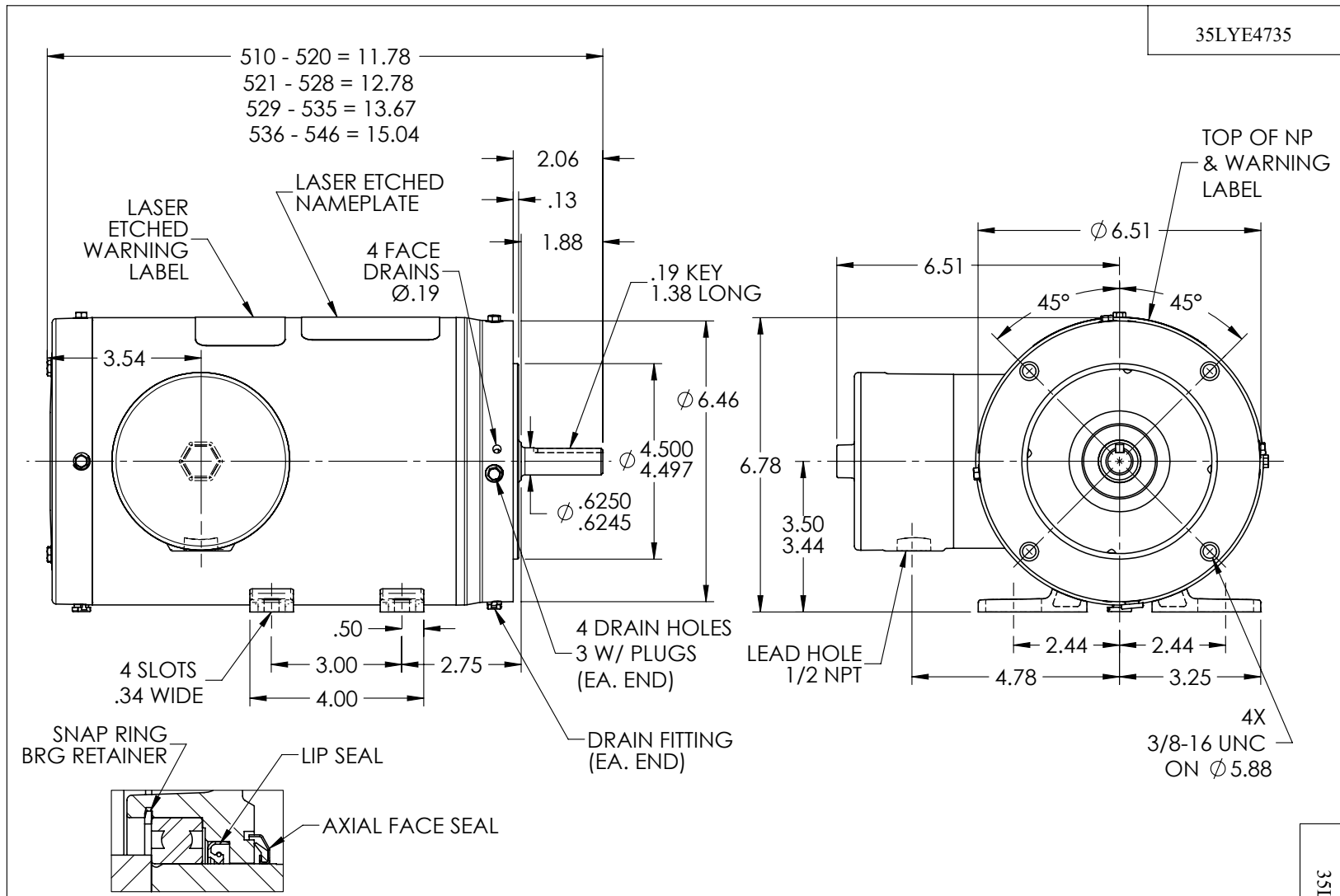
1.5 HP 3 PH 60 HZ 1750 RPM 460 V 3540M

Typical performance - not guaranteed values.

TORQUES (LB-FT): PO=20.03 PU=12.76 LR=15.53 LRA=18.5



1/29/2023 ACPERF, record # 65290



**PULLEY END DETAIL**

CUSTOMER IS RESPONSIBLE FOR DETERMINING THAT THE PRODUCT WILL PERFORM SUITABLY IN THE INTENDED APPLICATION

REV. DESC: UPDATE 3D MODEL BOM PER REV D, NO CHG TO 2D PRINT

|        |             |                              |                   |
|--------|-------------|------------------------------|-------------------|
| REV: C | VERSION: 03 | REVISED: 10:05:48 03/14/2022 | TDR: 000001187335 |
|--------|-------------|------------------------------|-------------------|

**BALDOR - RELIANCE®**

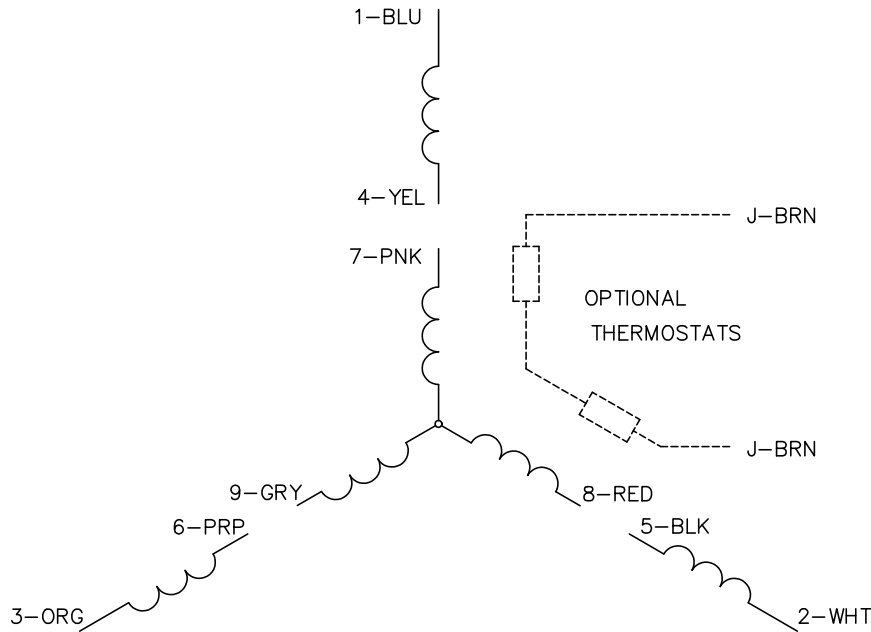
|           |                     |
|-----------|---------------------|
| 35LYE4735 | MODEL NO. 35LYE4735 |
|           | BY: USBUFRA         |

REF: -

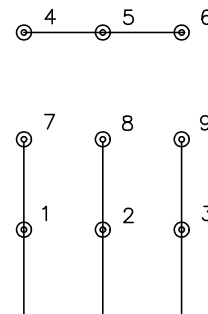
STD HORZ 56C TENV 35M WD11/12

35LYE4735

CD0005



LOW VOLTAGE  
(2Y)



LINE

HIGH VOLTAGE  
(1Y)



LINE

NOTES:

1. INTERCHANGE ANY TWO LINE LEADS TO REVERSE ROTATION.
2. OPTIONAL THERMOSTATS ARE PROVIDED WHEN SPECIFIED.
3. ACTUAL NUMBER OF INTERNAL PARALLEL CIRCUITS MAY BE A MULTIPLE OF THOSE SHOWN ABOVE.
4. LEAD COLORS ARE OPTIONAL. LEADS MUST ALWAYS BE NUMBERED AS SHOWN.

CD0005

|   |         |                         |              |
|---|---------|-------------------------|--------------|
| REV. DESC: REVISE TO SHOW OPTIONAL COLORS |         |                         |              |
| REV. LTR: E                               | BY: JLP | REVISED: 01/19/99 10:15 | TDR: 0171435 |
| S00000                                    |         | FILE: AAA00005140       | MDL: -       |
|   |         | MTL: -                  |              |

**BALDOR ELECTRIC Co.**

3PH, DV, 9 LEADS