

BALDOR® • RELIANCE 

Product Information Packet

CHC3416A

.33HP, 1700RPM, 1PH, 60HZ, 48Z, 3418C, TEAO, F1

Part Detail							
Revision:	AJ	Status:	PRD/A	Change #:		Proprietary:	No
Type:	AC	Elec. Spec:	34WG5631	CD Diagram:	CD0381	Mfg Plant:	
Mech. Spec:	34K052	Layout:	34LYK052	Poles:	04	Created Date:	
Base:	RS	Eff. Date:	10-17-2019	Leads:	7#18		

Specs			
Catalog Number:	CHC3416A	Inverter Code:	Not Inverter
Enclosure:	TEAO	KVA Code:	H
Frame:	48Z	Lifting Lugs:	No Lifting Lugs
Frame Material:	Steel	Locked Bearing Indicator:	No Locked Bearing
Motor Letter Type:	Oil Capacitor Start and Run	Motor Lead Quantity/Wire Size:	7 @ 18 AWG
Output @ Frequency:	.330 HP @ 60 HZ	Motor Lead Exit:	Terminal Panel
Synchronous Speed @ Frequency:	1800 RPM @ 60 HZ	Motor Lead Termination:	Flying Leads
Voltage @ Frequency:	115.0 V @ 60 HZ	Motor Type:	3418C
	230.0 V @ 60 HZ	Mounting Arrangement:	F1
XP Class and Group:	None	Power Factor:	69
XP Division:	Not Applicable	Product Family:	General Purpose
Agency Approvals:	UR	Pulley End Bearing Type:	Ball
	CSA	Pulley Face Code:	Resilient Mount
Auxillary Box:	No Auxillary Box	Pulley Shaft Indicator:	Standard
Auxillary Box Lead Termination:	None	Rodent Screen:	None
Base Indicator:	Resilient	RoHS Status:	ROHS COMPLIANT
Bearing Grease Type:	Polyrex EM (-20F +300F)	Shaft Extension Location:	Pulley End
Blower:	None	Shaft Ground Indicator:	No Shaft Grounding

Current @ Voltage:	2.800 A @ 230.0 V	Shaft Rotation:	Reversible
	5.600 A @ 115.0 V	Shaft Slinger Indicator:	No Slinger
Design Code:	N	Speed Code:	Single Speed
Drip Cover:	No Drip Cover	Motor Standards:	NEMA
Duty Rating:	CONT	Starting Method:	Direct on line
Electrically Isolated Bearing:	Not Electrically Isolated	Thermal Device - Bearing:	None
Feedback Device:	NO FEEDBACK	Thermal Device - Winding:	None
Front Face Code:	Resilient Mount	Vibration Sensor Indicator:	No Vibration Sensor
Front Shaft Indicator:	None	Winding Thermal 1:	Automatic Thermal Overload
Heater Indicator:	No Heater	Winding Thermal 1 Location:	SB
Insulation Class:	B	Winding Thermal 2:	None

Nameplate NP1280L											
CAT.NO.	CHC3416A										
SPEC.	34K52-5631										
HP	.33										
VOLTS	115/230										
AMP	5.6/2.8										
RPM	1700										
FRAME	48Z			HZ	60		PH	1			
SER.F.	1.00			CODE	H		DES	N		CL	B
NEMA-NOM-EFF	56			PF	69						
RATING	40C AMB-CONT										
CC							USABLE AT 208V				
DE	6203			ODE	6203						
ENCL	TEAO			SN							

Parts List		
Part Number	Description	Quantity
SA008197	SA 34K52-5631	1.000 EA
RA004644	RA 34K52-5631	1.000 EA
34EP3204A01SP	FR ENDPLATE, MACH	1.000 EA
51XW0832A07	8-32 X .44, TAPTITE II, HEX WSHR SLTD SE	3.000 EA
34GS5003A01	FOAM SLEEVE, ID = 2 1/16" X 4 3/8"	1.000 EA
11XW0832G06	#8-32 X 3/8, TAPTITE II, HEX WSHR SLTD	1.000 EA
RM1000A03	CUSHION RING, MDL 17-33-34	1.000 EA
RM1000A03	CUSHION RING, MDL 17-33-34	1.000 EA
HA6004A01A	CLAMP CUSHION RING ASSY	2.000 EA
WD4100A01	DP-875 HEYCO PLUG OR 62MP0875 MICRO PLAS	1.000 EA
RM1001A01	GROMMET "MIDSTATES"	1.000 EA
51XB1016A05	10-16X5/16HX WA SL SR TYB (F/S)	2.000 EA
HW5100A03	WAVY WASHER (W1543-017)	1.000 EA
34EP3205A01	PU ENDPLATE, MACH	1.000 EA
XY1032A02	10-32 HEX NUT DIRECTIONAL SERRATION	4.000 EA
HW1000A10	#10 FLAT WASHER (SAE)	4.000 EA
LD5000A52	LEAD ASSY W/INTERNAL STAR RING TERMINALS	1.000 EA
11XT1032A06	10-32 X 3/8 HX WSHR HD SLTD TYPE 23	2.000 EA
34CB4501SP	TERMINAL BOX LID, STAMPED X (PLATED)	1.000 EA
34GS1005	GASKET, TERM PLATE LID	1.000 EA
51XW0832A07	8-32 X .44, TAPTITE II, HEX WSHR SLTD SE	2.000 EA
34BA4001F01	RESILIENT BASE, 417-421	1.000 EA
WD1000A16	2-520128-2 AMP FLAG TERMINAL(4M/RL)	9.000 EA
MG1025C02	WILKOFASST SG, 787.105, TAN	0.014 GA

Parts List (continued)		
Part Number	Description	Quantity
85XU0407S04	4X1/4 U DRIVE PIN STAINLESS	2.000 EA
SP5076SP	MODEL 34 TERMINAL PANEL WITH QUICK CONNE	1.000 EA
OC3008F12SP	CYL OIL CAP 8MFD/370V	1.000 EA
33CB4800A02	CAPACITOR COVER, STAMPED	1.000 EA
35GS3001A02	GASKET, CA.COVER, 5.38 LONG .06 CS301	1.000 EA
HA3100A17	THRUBOLT 10-32 X 9.000	4.000 EA
LB1118	LABEL,WARNING (ROLL LABEL)	1.000 EA
LC0052	CONNECTION LABEL	1.000 EA
NP1280L	ALUM FARM DUTY UL CSA CC THERMAL	1.000 EA
35PA1066	PKG GRP, PRINT PK1001A01	1.000 EA
MN416A01	TAG-INSTAL-MAINT no wire (2200bx) 4/22	1.000 EA

AC Induction Motor Performance Data

Record # 50785

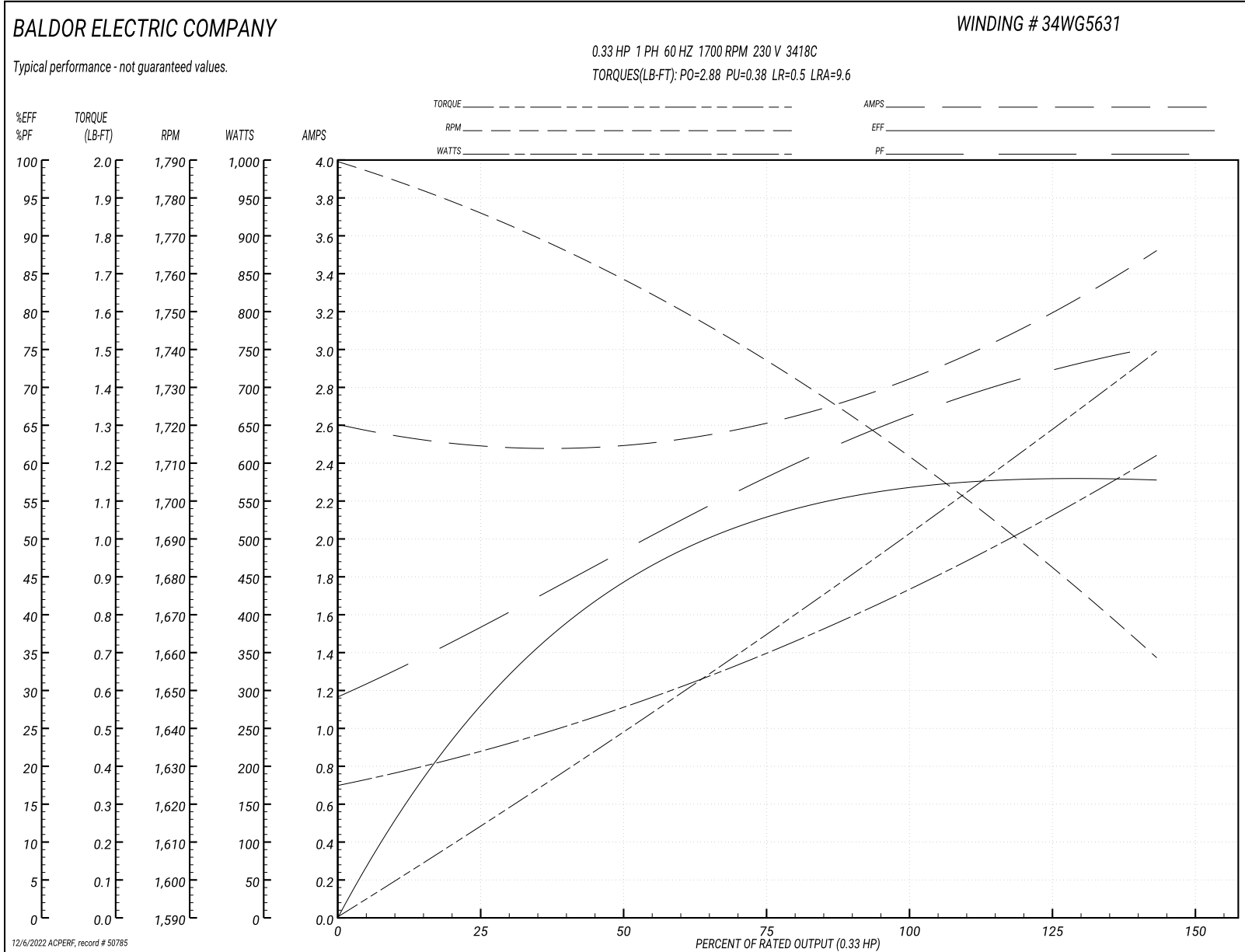
Typical performance - not guaranteed values

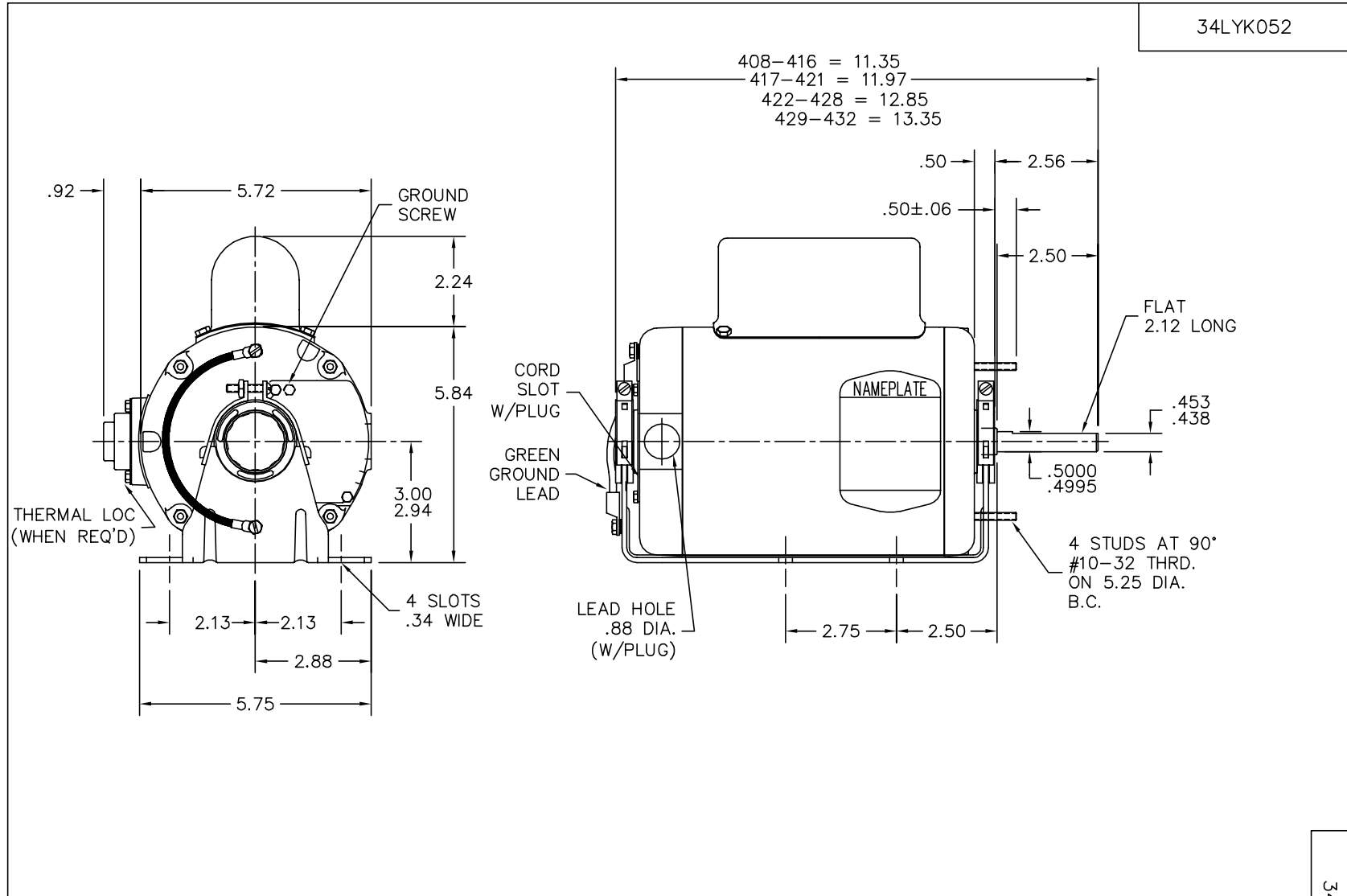
Winding: 34WG5631-R001		Type: 3418C		Enclosure: TEAO	
Nameplate Data			230 V, 60 Hz: High Voltage Connection		
Rated Output (HP)	.33		Full Load Torque	1 LB-FT	
Volts	115/230		Start Configuration	direct on line	
Full Load Amps	5.6/2.8		Breakdown Torque	2.88 LB-FT	
R.P.M.	1700		Pull-up Torque	0.38 LB-FT	
Hz	60 Phase	1	Locked-rotor Torque	0.5 LB-FT	
NEMA Design Code	N	KVA Code	H	Starting Current	9.6 A
Service Factor (S.F.)	1		No-load Current	2.6 A	
NEMA Nom. Eff.	56	Power Factor	69	Line-line Res. @ 25°C	7.36 Ω A Ph 22 Ω B Ph
Rating - Duty	40C AMB-CONT		Temp. Rise @ Rated Load		

Load Characteristics 230 V, 60 Hz, 0.33 HP

% of Rated Load	25	50	75	100	125	150
Power Factor	42	53	62	67	74	78
Efficiency	29	46	52	56	58	58
Speed	1775	1755	1738	1712	1692	1655
Line amperes	2.5	2.5	2.6	2.8	3.2	3.5

Performance Graph at 230V, 60Hz, 0.33HP Typical performance - Not guaranteed values





34LYK052

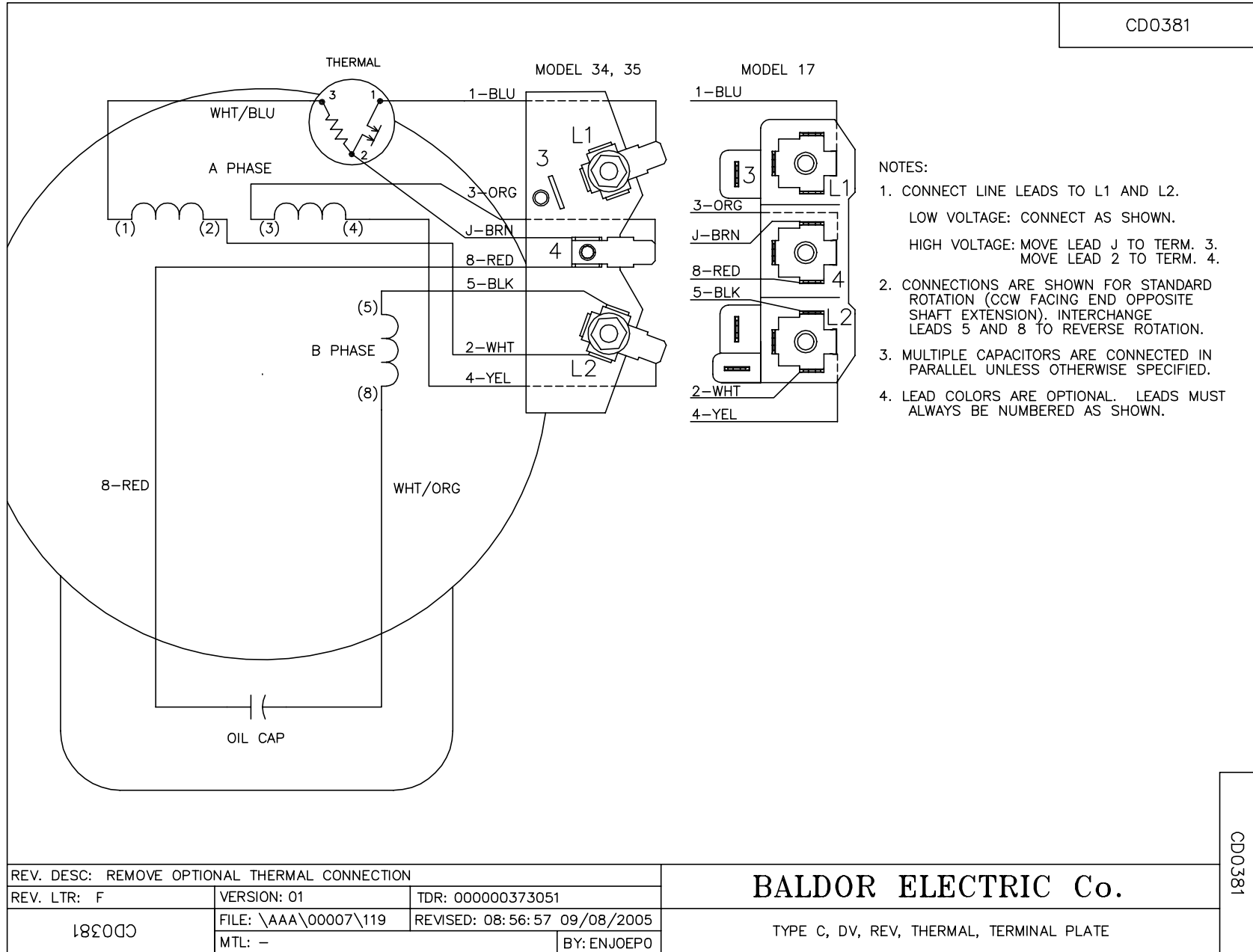
CUSTOMER IS RESPONSIBLE FOR DETERMINING THAT MOTOR PERFORMANCE IS SUITABLE IN THE APPLICATION.

REV. DESC: REPLACED 34SH2671 TO 34SH2891			
REV. LTR: G	BY: YTD	REVISED: 11:10:26 02/09/2004	TDR: 322935
34LYK052		FILE: AAA00027369	REF: 34LYK052
		MTL: -	

BALDOR ELECTRIC Co.
RESIL MTD MODEL 34C NEMA 48Z TENV W/EXTEND T-BOLTS

34LYK052

CD0381



CD0381

REV. DESC: REMOVE OPTIONAL THERMAL CONNECTION		
REV. LTR: F	VERSION: 01	TDR: 000000373051
182000	FILE: \AAA\00007\119	REVISED: 08:56:57 09/08/2005
	MTL: -	BY: ENJOEPO

BALDOR ELECTRIC Co.

TYPE C, DV, REV, THERMAL, TERMINAL PLATE