

BALDOR® • RELIANCE 

Product Information Packet

CHM264A

.33HP,1140RPM,3PH,60HZ,48YZ,3414M,TEAO,F

Part Detail							
Revision:	L	Status:	PRD/A	Change #:		Proprietary:	No
Type:	AC	Elec. Spec:	34WGW530	CD Diagram:	CD0007	Mfg Plant:	
Mech. Spec:	34M250	Layout:	34LYM250	Poles:	06	Created Date:	06-17-2013
Base:	RS	Eff. Date:	04-23-2021	Leads:	12#18		

Specs			
Catalog Number:	CHM264A	Insulation Class:	B
Enclosure:	TEAO	Inverter Code:	Not Inverter
Frame:	48YZ	KVA Code:	K
Frame Material:	Steel	Lifting Lugs:	No Lifting Lugs
Motor Letter Type:	Three Phase	Locked Bearing Indicator:	No Locked Bearing
Output @ Frequency:	.330 HP @ 60 HZ	Motor Lead Quantity/Wire Size:	12 @ 18 AWG
Synchronous Speed @ Frequency:	1200 RPM @ 60 HZ	Motor Lead Exit:	Terminal Panel Or Lead Hole
Voltage @ Frequency:	230.0 V @ 60 HZ	Motor Lead Termination:	Flying Leads
	460.0 V @ 60 HZ	Motor Type:	3414M
XP Class and Group:	None	Mounting Arrangement:	F1
XP Division:	Not Applicable	Power Factor:	51
Agency Approvals:	UR	Product Family:	General Purpose
	CSA	Pulley End Bearing Type:	Ball
Auxillary Box:	No Auxillary Box	Pulley Face Code:	Resilient Mount
Auxillary Box Lead Termination:	None	Pulley Shaft Indicator:	Standard
Base Indicator:	Resilient	Rodent Screen:	None
Bearing Grease Type:	Polyrex EM (-20F +300F)	RoHS Status:	ROHS COMPLIANT
Blower:	None	Shaft Extension Location:	Pulley End

Current @ Voltage:	.900 A @ 460.0 V	Shaft Ground Indicator:	No Shaft Grounding
	1.800 A @ 230.0 V	Shaft Rotation:	Reversible
	2.100 A @ 208.0 V	Shaft Slinger Indicator:	No Slinger
Design Code:	B	Speed Code:	Single Speed
Drip Cover:	No Drip Cover	Motor Standards:	NEMA
Duty Rating:	CONT	Starting Method:	Direct on line
Electrically Isolated Bearing:	Not Electrically Isolated	Thermal Device - Bearing:	None
Feedback Device:	NO FEEDBACK	Thermal Device - Winding:	None
Front Face Code:	Resilient Mount	Vibration Sensor Indicator:	No Vibration Sensor
Front Shaft Indicator:	None	Winding Thermal 1:	Automatic Thermal Overload
Heater Indicator:	No Heater	Winding Thermal 1 Location:	SB
		Winding Thermal 2:	None

Nameplate NP1257L	
CAT.NO.	CHM264A
SPEC.	34M250W530G1
HP	.33
VOLTS	230/460
AMP	1.8/.9
RPM	1140
FRAME	48YZ
HZ	60
PH	3
SER.F.	1.25
CODE	K
DES	B
CL	B
NEMA-NOM-EFF	70
PF	51
RATING	40C AMB-CONT
CC	USABLE AT 208V 2.1
DE	6203
ODE	6203
ENCL	TEAO
SN	
	SFA 1.9/0.95

Parts List		
Part Number	Description	Quantity
SA264742	SA 34M250W530G1	1.000 EA
RA251448	RA 34M250W530G1	1.000 EA
11XW0832G06	#8-32 X 3/8, TAPTITE II, HEX WSHR SLTD	1.000 EA
LD5000A52	LEAD ASSY W/INTERNAL STAR RING TERMINALS	1.000 EA
11XT1032A06	10-32 X 3/8 HX WSHR HD SLTD TYPE 23	2.000 EA
34EP3204A01SP	FR ENDPLATE, MACH	1.000 EA
WD4100A01	DP-875 HEYCO PLUG OR 62MP0875 MICRO PLAS	1.000 EA
RM1001A01	GROMMET "MIDSTATES"	1.000 EA
MG1000G27	MED CHARCOAL METALLIC GREY 400-0096	0.014 GA
85XU0407S04	4X1/4 U DRIVE PIN STAINLESS	2.000 EA
RM1000A03	CUSHION RING, MDL 17-33-34	1.000 EA
HA6004A01A	CLAMP CUSHION RING ASSY	1.000 EA
SP1000A09	TERM BOARD, MODEL 34 SW, (RPL SP1000A01)	1.000 EA
HW5100A03	WAVY WASHER (W1543-017)	1.000 EA
34EP3205B01	PU ENDPLATE, MACH	1.000 EA
RM1000A03	CUSHION RING, MDL 17-33-34	1.000 EA
HA6004A01A	CLAMP CUSHION RING ASSY	1.000 EA
XY0832A02	8-32 HEX NUT	4.000 EA
HW1000A08	#8 SAE FLAT WASHER	4.000 EA
34CB4501SP	TERMINAL BOX LID, STAMPED X (PLATED)	1.000 EA
34GS1005	GASKET, TERM PLATE LID	1.000 EA
51XW0832A07	8-32 X .44, TAPTITE II, HEX WSHR SLTD SE	2.000 EA
51XW0832A07	8-32 X .44, TAPTITE II, HEX WSHR SLTD SE	2.000 EA
34BA4001A01SP	RESILIENT BASE, 408-416	1.000 EA

Parts List (continued)		
Part Number	Description	Quantity
HA3169A17	THRUBOLT #8-32 THDS X 8.375" LONG	4.000 EA
LB1118	LABEL,WARNING (ROLL LABEL)	1.000 EA
MN416A01	TAG-INSTAL-MAINT no wire (2200bx) 4/22	1.000 EA
LC0007	CONNECTION LABEL	1.000 EA
NP1257L	ALUM UL CSA CC THERMAL REV MTG	1.000 EA
35PA1066	PKG GRP, PRINT PK1008A06	1.000 EA

AC Induction Motor Performance Data

Record # 42465

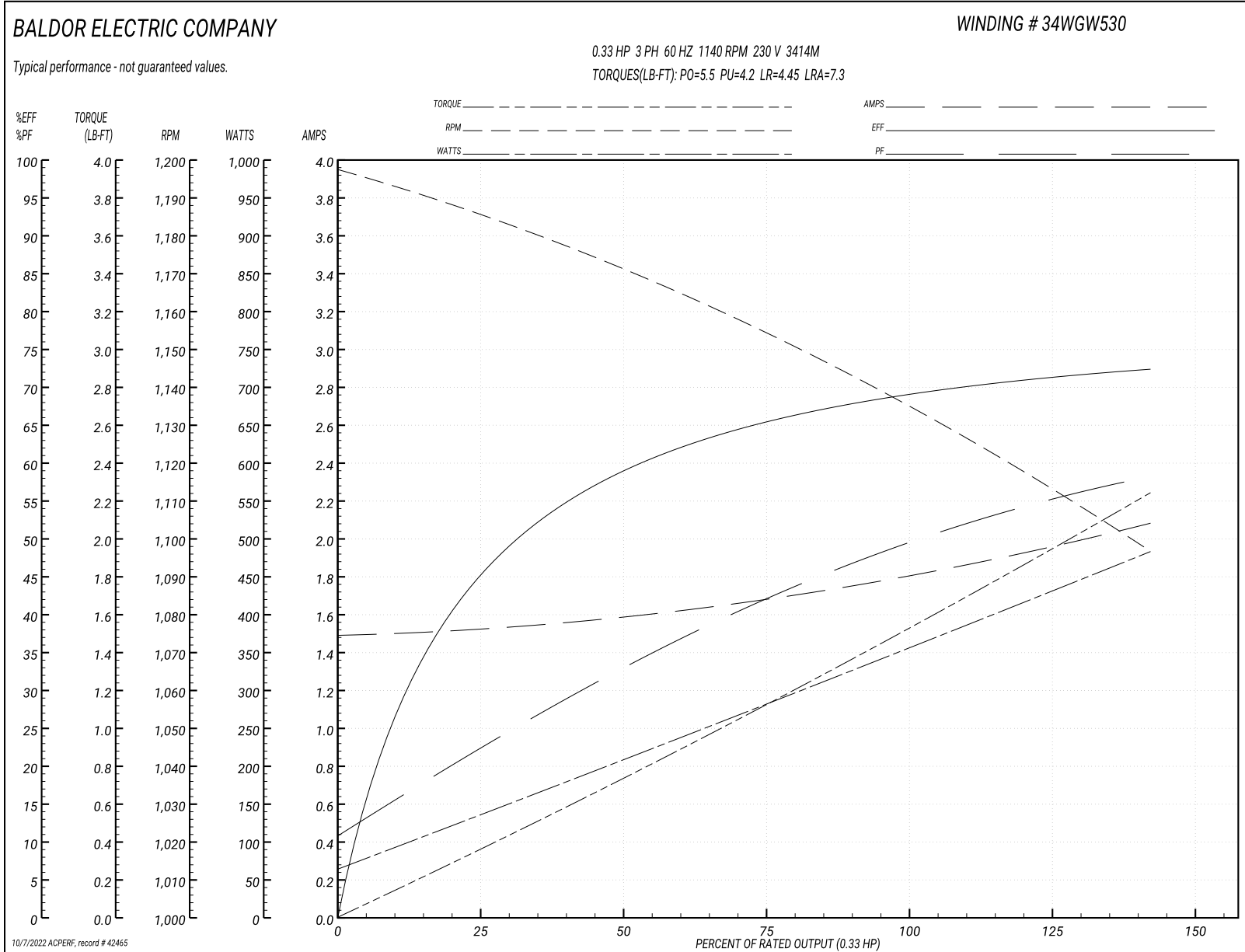
Typical performance - not guaranteed values

Winding: 34WGW530-R007			Type: 3414M			Enclosure: TEAO			
Nameplate Data						230 V, 60 Hz: Low Voltage Connection			
Rated Output (HP)	.33 AIR OVER		Full Load Torque			1.5 LB-FT			
Volts	230/460		Start Configuration			direct on line			
Full Load Amps	1.8/.9		Breakdown Torque			5.5 LB-FT			
R.P.M.	1140		Pull-up Torque			4.2 LB-FT			
Hz	60 Phase	3	Locked-rotor Torque			4.45 LB-FT			
NEMA Design Code	B KVA Code	K	Starting Current			7.3 A			
Service Factor (S.F.)	1.25		No-load Current			1.5 A			
NEMA Nom. Eff.	70 Power Factor	51	Line-line Res. @ 25°C			14.57 Ω			
Rating - Duty	40C AMB-CONT		Temp. Rise @ Rated Load						
S.F. Amps	1.9/0.95		Temp. Rise @ S.F. Load						
						Locked-rotor Power Factor			66
						Rotor inertia			0.0333 LB-FT ²

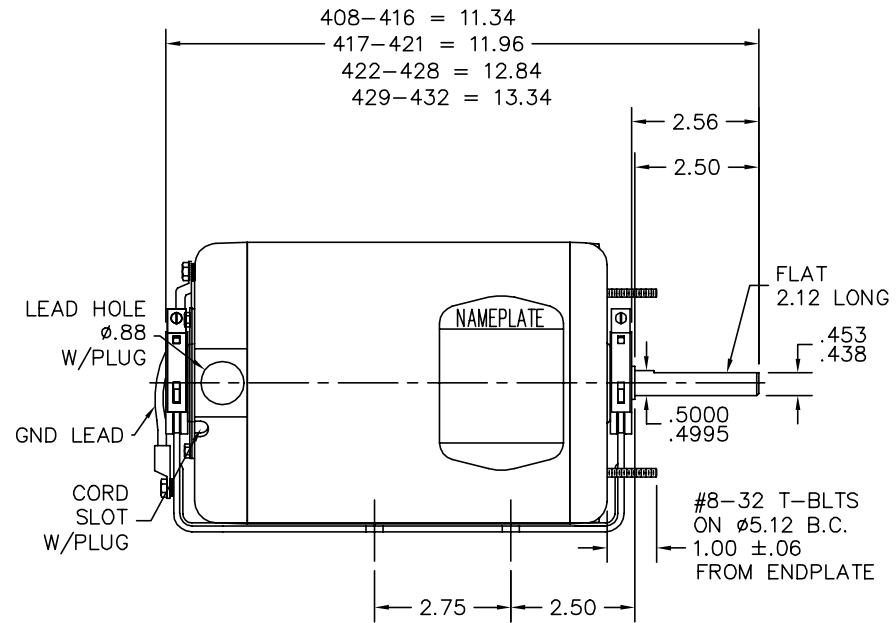
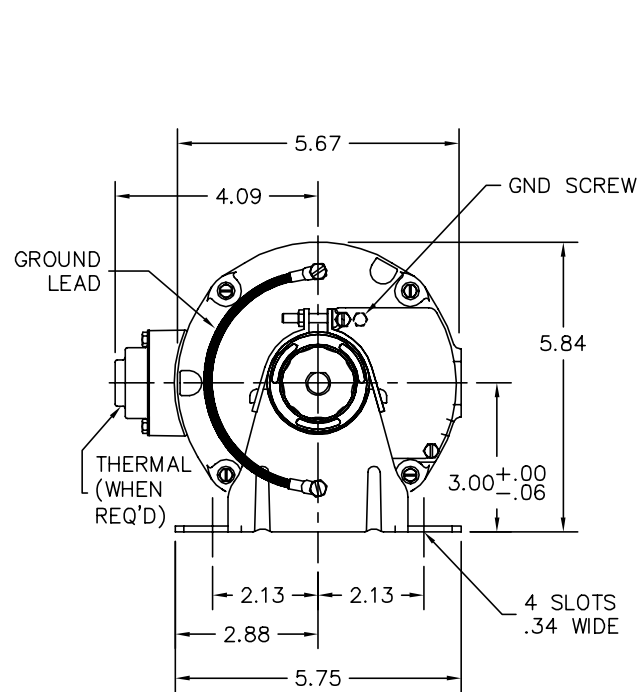
Load Characteristics 230 V, 60 Hz, 0.33 HP

% of Rated Load	25	50	75	100	125	150	S.F.
Power Factor	19	30	42	51	58	64	58
Efficiency	44	58	66	70	71	72	71
Speed	1185	1170	1155	1135	1120	1095	1120
Line amperes	1.5	1.6	1.7	1.8	1.9	2.1	1.9

Performance Graph at 230V, 60Hz, 0.33HP Typical performance - Not guaranteed values



34LYM250



CUSTOMER IS RESPONSIBLE FOR DETERMINING THAT BALDOR'S PRODUCT WILL PERFORM SUITABLY IN THE INTENDED APPLICATION.

REV. DESC: CHG'D RESILIENT RING HARDWARE TO FACE THE SAME WAY		
REV. LTR: B	VERSION: 02	TDR: 000001067587
FILE: \AAA\00200\715	REVISED: 09:22:35 04/12/2018	BY: ENJFDO
MTL: -	☉ □	

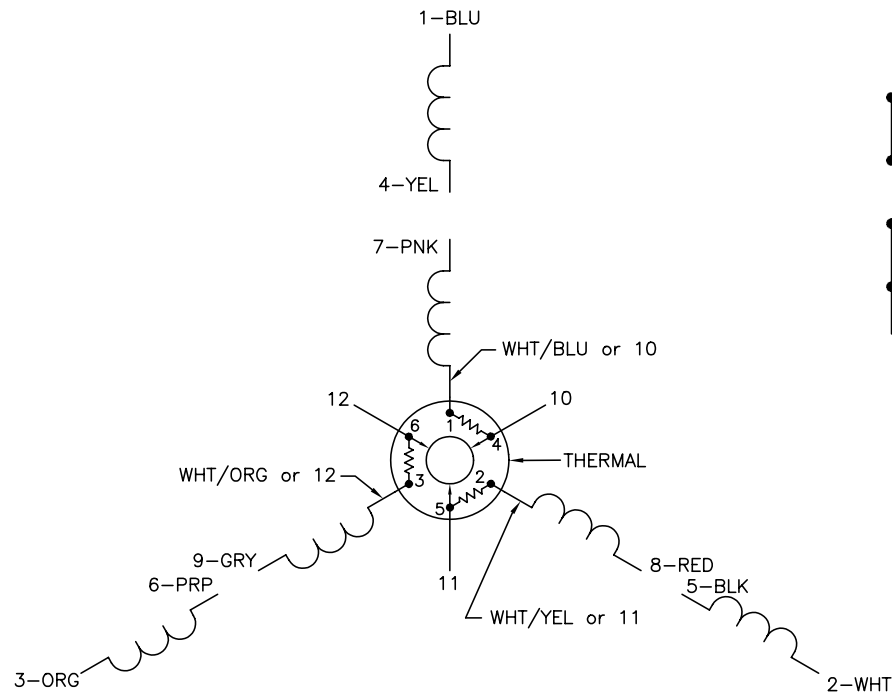
BALDOR - RELIANCE®

RESIL 34M NEMA 48YZ TEO W/EXTENDED T-BOLTS, 5.12 B.C.

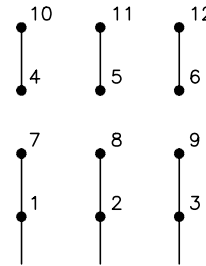
SH 1 of 1

34LYM250

CD0007

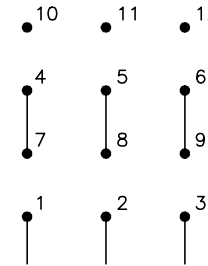


LOW VOLTAGE
(2Y)



LINE

HIGH VOLTAGE
(1Y)



LINE

NOTES:

1. INTERCHANGE ANY TWO LINE LEADS TO REVERSE ROTATION.
2. ACTUAL NUMBER OF INTERNAL PARALLEL CIRCUITS MAY VARY.
3. LEAD COLORS ARE OPTIONAL. LEADS MUST ALWAYS BE NUMBERED AS SHOWN.

REV. DESC: ADDED "CK" PLANT CODE			
REV. LTR: E	BY: EAH	REVISED: 05/06/99 17:1	TDR: 0181040
L00000		FILE: AAA00008370	MDL: -
		MTL: -	

BALDOR ELECTRIC Co.

3PH, DV, THERMAL, 12 LEADS

CD0007