

BALDOR® • RELIANCE 

Product Information Packet

CL3612TM

5HP, 1725RPM, 1PH, 60HZ, 184TC, 3646LC, TEFC

Part Detail							
Revision:	AT	Status:	PRD/A	Change #:		Proprietary:	No
Type:	AC	Elec. Spec:	36WGW279	CD Diagram:	CD0152	Mfg Plant:	
Mech. Spec:	36F189	Layout:	36LYF189	Poles:	04	Created Date:	
Base:	RG	Eff. Date:	05-16-2022	Leads:	2#10 A PH,3#16 B&J		

Specs			
Catalog Number:	CL3612TM	Inverter Code:	Not Inverter
Enclosure:	TEFC	KVA Code:	J
Frame:	184TC	Lifting Lugs:	No Lifting Lugs
Frame Material:	Steel	Locked Bearing Indicator:	Locked Bearing
Motor Letter Type:	Cap Start, Cap Run	Motor Lead Quantity/Wire Size:	2 @ 10 AWG, A PH
Output @ Frequency:	5.000 HP @ 60 HZ	Motor Lead Exit:	Ko Box
Synchronous Speed @ Frequency:	1800 RPM @ 60 HZ	Motor Lead Termination:	Flying Leads
Voltage @ Frequency:	230.0 V @ 60 HZ	Motor Type:	3646LC
XP Class and Group:	None	Mounting Arrangement:	F1
XP Division:	Not Applicable	Power Factor:	88
Agency Approvals:	UR	Product Family:	General Purpose
	CSA	Pulley End Bearing Type:	Ball
Auxillary Box:	No Auxillary Box	Pulley Face Code:	C-Face
Auxillary Box Lead Termination:	None	Pulley Shaft Indicator:	Standard
Base Indicator:	Rigid	Rodent Screen:	None
Bearing Grease Type:	Polyrex EM (-20F +300F)	Shaft Extension Location:	Pulley End
Blower:	None	Shaft Ground Indicator:	No Shaft Grounding
Current @ Voltage:	23.000 A @ 230.0 V	Shaft Rotation:	Reversible

Design Code:	L	Shaft Slinger Indicator:	No Slinger
Drip Cover:	No Drip Cover	Speed Code:	Single Speed
Duty Rating:	CONT	Motor Standards:	NEMA
Electrically Isolated Bearing:	Not Electrically Isolated	Starting Method:	Direct on line
Feedback Device:	NO FEEDBACK	Thermal Device - Bearing:	None
Front Face Code:	Standard	Thermal Device - Winding:	Do Not Use
Front Shaft Indicator:	None	Vibration Sensor Indicator:	No Vibration Sensor
Heater Indicator:	No Heater	Winding Thermal 1:	Manual Thermal Overload
Insulation Class:	F	Winding Thermal 1 Location:	KO
		Winding Thermal 2:	None

Nameplate NP1257L	
CAT.NO.	CL3612TM
SPEC.	36F189W279
HP	5
VOLTS	208-230
AMP	23.6-23
RPM	1725
FRAME	184TC
HZ	60
PH	1
SER.F.	1.00
CODE	J
DES	L
CL	F
NEMA-NOM-EFF	80
PF	88
RATING	40C AMB-CONT
CC	USABLE AT 208V 23.6
DE	6206
ODE	6205
ENCL	TEFC
SN	

Parts List		
Part Number	Description	Quantity
SA034852	SA 36F189W279	1.000 EA
RA030880	RA 36F189W279	1.000 EA
OC3030F11SP	CAPACITOR 30 MFD 370 VAC	1.000 EA
TPLED1027SP	THERMAL 1PH 1.5 MAN REF LED989 TDR #5817	1.000 EA
EC1216C06SP	ELEC CAP, 216-259 MFD, 250V, 2.06D X 4.	2.000 EA
TP5059	GENERIC WELDED THERMAL, 18" LEAD KIT	1.000 EA
HW3200A01	3/8-16X3/4 I-BLT WELDED F/S	1.000 EA
11XW1032G06	10-32 X .38, TAPTITE II, HEX WSHR SLTD U	1.000 EA
HW3001B01	BRASS CUP WASHER, FOR #10 SCREW	1.000 EA
36EP3104A01	FREP MACH ASSEMBLY FOR ROUTING	1.000 EA
HW4500A19	1/4-28X1/4 SLOTTED PLUG F/S	1.000 EA
13XF0832A08	8-32 X.50 PAN HD,SLTD, TYPE F SCREW, ZIN	2.000 EA
37CB3805A06	CAPAC BOX, DIECAST W/CAST LEAD & THERMAL	1.000 EA
37GS3002	GASKET, CAPACITOR BOX	2.000 EA
HA2001A09	SPACER, .218 ID X .937 LG	2.000 EA
RM1015	BOOT FOR MANUAL THERMALS	1.000 EA
12XN1032A28	SCREW, HEX SLT HD, ZN	2.000 EA
XY1032A02	10-32 HEX NUT DIRECTIONAL SERRATION	2.000 EA
HW1000A10	#10 FLAT WASHER (SAE)	2.000 EA
10XN2520A08	1/4-20X1/2 HEX HEAD CAP	4.000 EA
HA6003A16	CLAMP, CAPACITOR SIZE 8 1/4 X 1 1/2 PL	1.000 EA
51XW0832A07	8-32 X .44, TAPTITE II, HEX WSHR SLTD SE	2.000 EA
HW5100A05	WVY WSHR F/205 & 304 BRGS	1.000 EA
36PE3301A01	PUEP FOR ROUTING PURPOSES	1.000 EA

Parts List (continued)		
Part Number	Description	Quantity
HW4500A01	1641B(ALEMITE)400 UNIV, GREASE FITT	1.000 EA
10XN2520A28	1/4-20X 1 3/4 HEX HD	4.000 EA
36FN3000A01SP	EXFN, PLASTIC, 7.00 OD, .912 ID	1.000 EA
51XB1214A16	12-14X1.00 HXWSSLD SERTYB	1.000 EA
36FH4009A104	IEC FH GREASER W/PRIMER	1.000 EA
51XW1032A06	10-32 X .38, TAPTITE II, HEX WSHR SLTD S	3.000 EA
37CB4502	CAPAC BOX LID, STAMPED PLATED	1.000 EA
37GS3003SP	GASKET, CAPAC BOX LID X	1.000 EA
51XW0832A07	8-32 X .44, TAPTITE II, HEX WSHR SLTD SE	6.000 EA
HW2501E16	KEY, 1/4 SQ X 1.750	1.000 EA
HA7000A02	KEY RETAINER RING, 1 1/8 DIA, 1 3/8 DIA	1.000 EA
85XU0407S04	4X1/4 U DRIVE PIN STAINLESS	2.000 EA
LB1115N	LABEL,LIFTING DEVICE (ON ROLLS)	1.000 EA
MJ1000A02	GREASE, POLYREX EM EXXON	0.050 LB
MG1000G27	MED CHARCOAL METALLIC GREY 400-0096	0.022 GA
LB1087	LABEL,MANUAL RESET (ROLL LABEL)	1.000 EA
HA3101A28	THRUBOLT 1/4-20 X 12.500 OHIO ROD	4.000 EA
SP5172A11	37 TYPE LC TORQ STAT SWITCH LEAD ASSEMBL	1.000 EA
WD1000A15	3-520132-2 AMP FLAG (4M/RL NON-CANC/NON-	6.000 EA
LB1119N	WARNING LABEL	1.000 EA
LC0002	CONNECTION LABEL	1.000 EA
NP1257L	ALUM UL CSA CC THERMAL REV MTG	1.000 EA
36PA1001	PKG GRP, PRINT PK1017A06	1.000 EA
MN416A01	TAG-INSTAL-MAINT no wire (2200bx) 4/22	1.000 EA

AC Induction Motor Performance Data

Record # 31833

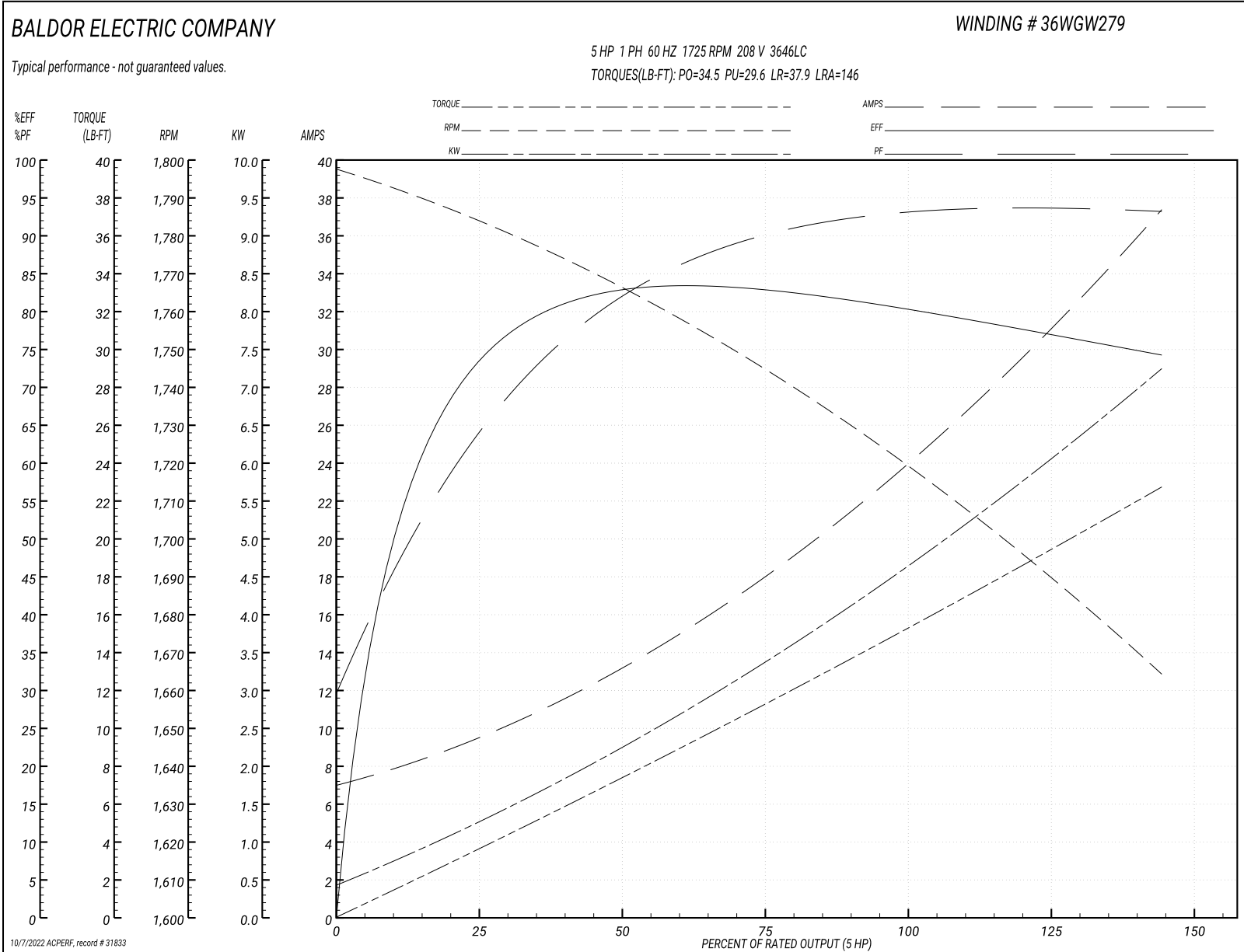
Preliminary Data Sheet

Winding: 36WGW279-R003		Type: 3646LC		Enclosure: TEFC	
Nameplate Data			208 V, 60 Hz: Single Voltage Motor		
Rated Output (HP)	5	Full Load Torque	15.1 LB-FT		
Volts	208-230	Start Configuration	direct on line		
Full Load Amps	23.6-23	Breakdown Torque	34.5 LB-FT		
R.P.M.	1725	Pull-up Torque	29.6 LB-FT		
Hz	60 Phase	1	Locked-rotor Torque	37.9 LB-FT	
NEMA Design Code	L	KVA Code	J	Starting Current	146 A
Service Factor (S.F.)	1		No-load Current	6.67 A	
NEMA Nom. Eff.	80	Power Factor	88	Line-line Res. @ 25°C	0.349 Ω A Ph 1.42 Ω B Ph
Rating - Duty	40C AMB-CONT		Temp. Rise @ Rated Load	92°C	

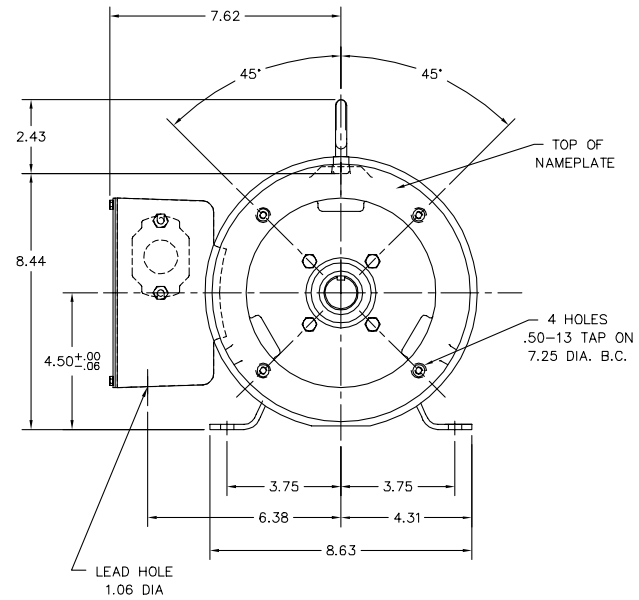
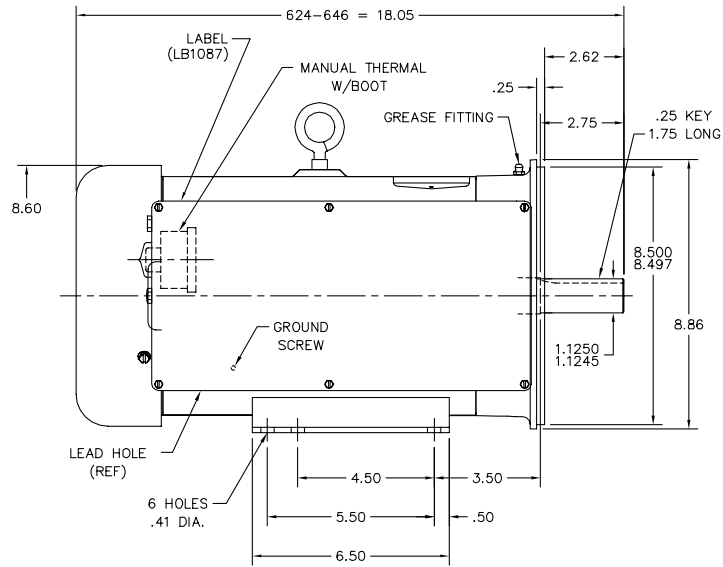
Load Characteristics 208 V, 60 Hz, 5 HP

% of Rated Load	25	50	75	100	125	150
Power Factor	64	88	88	92	94	93
Efficiency	70.7	79.5	83.4	81.5	78.7	73.4
Speed	1784	1765	1743	1721	1697	1662
Line amperes	10.2	12.9	18.4	23.6	29.6	37.8

Performance Graph at 208V, 60Hz, 5.0HP Typical performance - Not guaranteed values



36LYF189



36LYF189

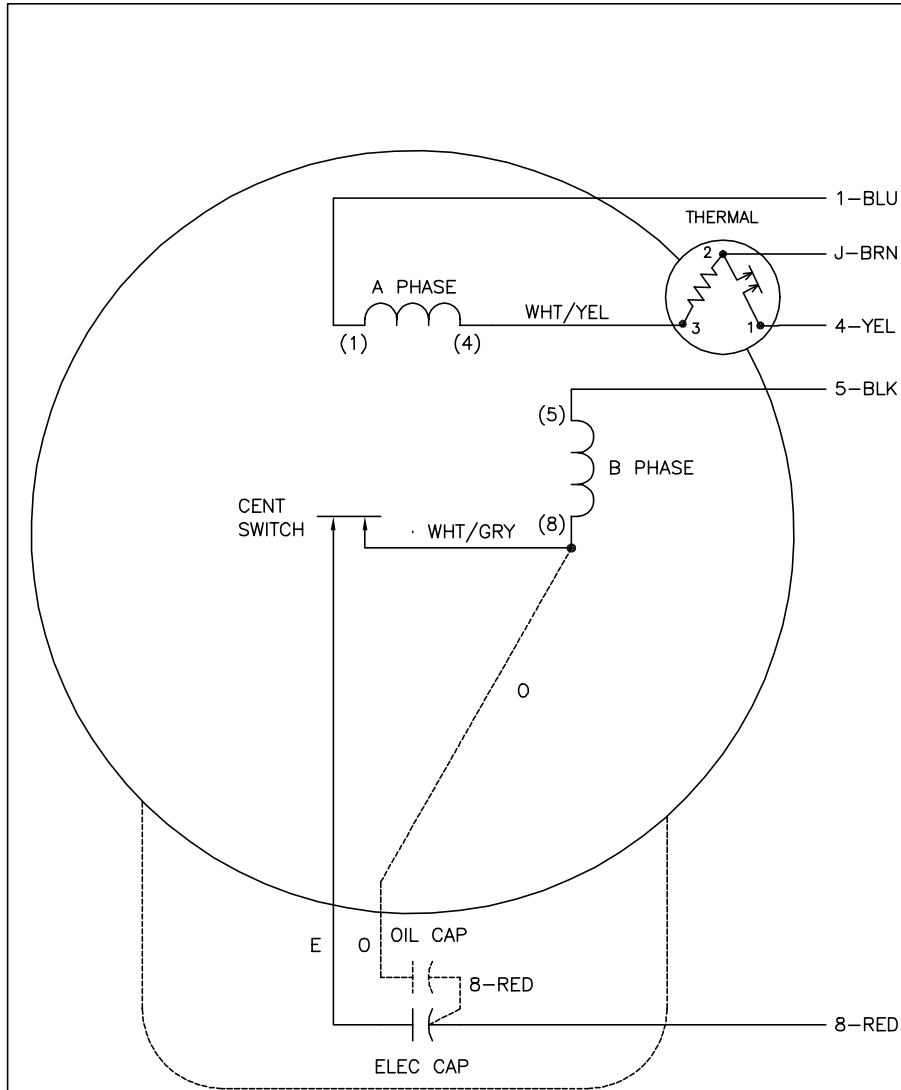
CUSTOMER IS RESPONSIBLE FOR DETERMINING THAT BALDOR'S PRODUCT WILL PERFORM SUITABLY IN THE INTENDED APPLICATION.

REV. DESC: CHANGE STACK FROM 640-646 TO 624-646 TO MATCH BAND	VERSION: 03	TDR: 000001079436
REV. LTR: V	REVISED: 04:00:44 07/26/2018	BY: ENALEMO
FILE: \AAA\00012\618		
MTL: -		

BALDOR - RELIANCE®

HORZ 182-4TC TEFC 36LC W/TYPE LE-MTO
SH 1 of 1

CD0152



	LINE A	LINE B	JOIN
STD	1,8	4	J,5
OPP	1,5	4	J,8

NOTES:

1. STANDARD ROTATION IS CCW FACING END OPPOSITE SHAFT EXTENSION.
2. MULTIPLE CAPACITORS ARE CONNECTED IN PARALLEL UNLESS OTHERWISE SPECIFIED.
3. OPTIONAL OIL CAPACITOR IS PROVIDED WHEN SPECIFIED.
4. CAPACITORS MAY BE SEPERATELY MOUNTED.
5. LEAD COLORS ARE OPTIONAL. LEADS MUST ALWAYS BE NUMBERED AS SHOWN.

REV. DESC: REMOVE OPTIONAL THERMAL CONNECTION		
REV. LTR: D	VERSION: 01	TDR: 000000373039
ZS1000	FILE: \AAA\00026\903	REVISED: 11:23:45 08/11/2005
	MTL: -	BY: ENJOEPO

BALDOR ELECTRIC Co.

TYPE L OR LC, SV, REV, 5 LDS, THERM, CAPS MAY BE SEP MTD

CD0152