

**BALDOR® • RELIANCE** 

**Product Information Packet**

**CM3108**

**.5HP, 1725RPM, 3PH, 60HZ, 56C, 3416M, OPEN, F1**

Part Detail							
Revision:	Q	Status:	INA/A	Change #:		Proprietary:	No
Type:	AC	Elec. Spec:	34WG0872	CD Diagram:	CD0005	Mfg Plant:	
Mech. Spec:	34F010	Layout:	34LYF010	Poles:	04	Created Date:	
Base:	RG	Eff. Date:	01-21-2015	Leads:	9#18		

Specs			
Catalog Number:	CM3108	Heater Indicator:	No Heater
Enclosure:	ODP	Insulation Class:	B
Frame:	56C	Inverter Code:	Not Inverter
Frame Material:	Steel	KVA Code:	L
Motor Letter Type:	Three Phase	Lifting Lugs:	No Lifting Lugs
Output @ Frequency:	.500 HP @ 60 HZ	Locked Bearing Indicator:	Locked Bearing
Synchronous Speed @ Frequency:	1800 RPM @ 60 HZ	Motor Lead Quantity/Wire Size:	9 @ 18 AWG
Voltage @ Frequency:	460.0 V @ 60 HZ	Motor Lead Exit:	Ko Box
	230.0 V @ 60 HZ	Motor Lead Termination:	Flying Leads
XP Division:	Not Applicable	Motor Type:	3416M
Agency Approvals:	UR	Mounting Arrangement:	F1
	CSA	Power Factor:	63
Auxillary Box:	No Auxillary Box	Product Family:	General Purpose
Auxillary Box Lead Termination:	None	Pulley End Bearing Type:	Ball
Base Indicator:	Rigid	Pulley Face Code:	C-Face
Bearing Grease Type:	Polyrex EM (-20F +300F)	Pulley Shaft Indicator:	Standard
Blower:	None	Rodent Screen:	None
Current @ Voltage:	1.000 A @ 460.0 V	Shaft Extension Location:	Pulley End

	2.000 A @ 230.0 V	<b>Shaft Ground Indicator:</b>	No Shaft Grounding
	2.500 A @ 208.0 V	<b>Shaft Rotation:</b>	Reversible
<b>Design Code:</b>	B	<b>Shaft Slinger Indicator:</b>	No Slinger
<b>Drip Cover:</b>	No Drip Cover	<b>Speed Code:</b>	Single Speed
<b>Duty Rating:</b>	CONT	<b>Motor Standards:</b>	NEMA
<b>Electrically Isolated Bearing:</b>	Not Electrically Isolated	<b>Starting Method:</b>	Direct on line
<b>Feedback Device:</b>	NO FEEDBACK	<b>Thermal Device - Bearing:</b>	None
<b>Front Face Code:</b>	Standard	<b>Thermal Device - Winding:</b>	None
<b>Front Shaft Indicator:</b>	None	<b>Vibration Sensor Indicator:</b>	No Vibration Sensor

Nameplate NP1256L										
CAT.NO.	CM3108									
SPEC.	34F10-872									
HP	.5									
VOLTS	230/460									
AMP	2/1									
RPM	1725									
FRAME	56C				HZ	60			PH	3
SER.F.	1.25		CODE	L	DES	B		CLASS	B	
NEMA-NOM-EFF	74		PF	63						
RATING	40C AMB-CONT									
CC								USABLE AT 208V	2.5	
DE	6203				ODE	6203				
ENCL	OPEN		SN							
	SFA 2.4/1.2									

Parts List		
Part Number	Description	Quantity
SA007674	SA 34F10-872	1.000 EA
RA004061	RA 34F10-872	1.000 EA
NS2512A01	INSULATOR, CONDUIT BOX X	1.000 EA
34CB3002A	CB CAST W/.88 DIA HOLE	1.000 EA
51XB1016A07	10-16 X 7/16 HXWSSLD SERTYB	2.000 EA
11XW1032G06	10-32 X .38, TAPTITE II, HEX WSHR SLTD U	1.000 EA
34EP3210A01SP	FR ENDPLATE, MACH	1.000 EA
HW5100A03	WAVY WASHER (W1543-017)	1.000 EA
34EP3401A01SP	PU ENDPLATE, MACH	1.000 EA
34AD2000	BAFFLE PLATE, STAMPED	1.000 EA
51XT0632A06	6-32X3/8 TY23 HXWS SLDSR	4.000 EA
51XN1032A20	10-32 X 1 1/4 HX WS SL SR	2.000 EA
34CB4517	CB LID 4 MTG HOLES .22 DIA STAMPED, FOR	1.000 EA
51XW0832A07	8-32 X .44, TAPTITE II, HEX WSHR SLTD SE	4.000 EA
HW2501D13	KEY, 3/16 SQ X 1.375	1.000 EA
HA7000A04	KEY RETAINER 0.625 DIA SHAFTS	1.000 EA
MG1000G27	MED CHARCOAL METALLIC GREY 400-0096	0.014 GA
10XF0440S02	04-40 X 1/8 TYPE F HEX HD STAINLESS STIC	2.000 EA
HA3100A12	THRUBOLT 10-32 X 7.375	4.000 EA
LB1125C01	STD (STOCK) CARTON LABEL BALDOR WITH FLA	1.000 EA
LC0005E01	CONN.DIA./WARNING LABEL (LC0005/LB1119N)	1.000 EA
NP1256L	ALUM UL CSA CC INDUSTRIAL MOTOR A60	1.000 EA
35PA1066	PKG GRP, PRINT PK1001A01	1.000 EA

**AC Induction Motor Performance Data**

Record # 6598

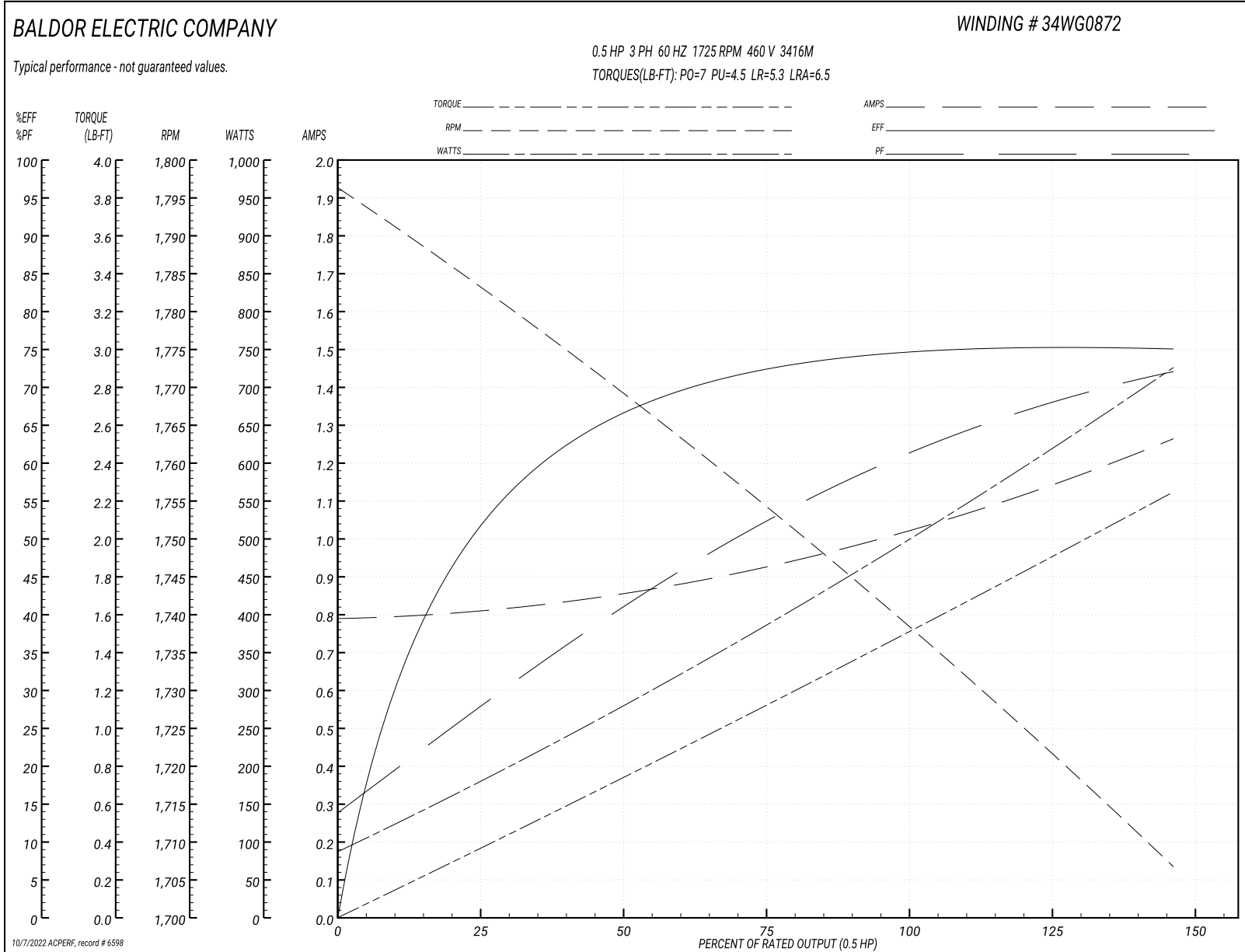
Typical performance - not guaranteed values

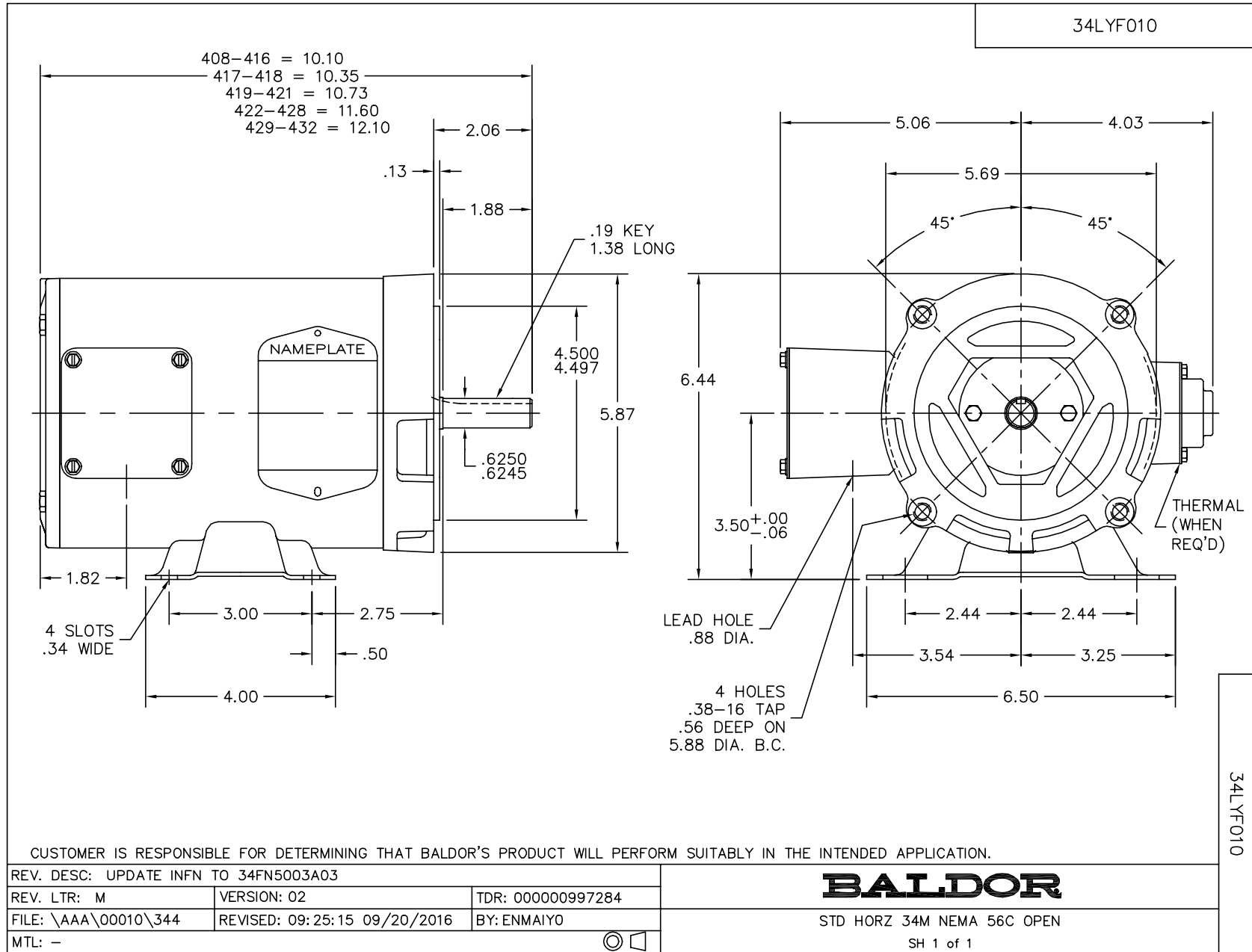
Winding: 34WG0872-R001		Type: 3416M	Enclosure: TEFC	
<b>Nameplate Data</b>			<b>460 V, 60 Hz: High Voltage Connection</b>	
Rated Output (HP)	.5	Full Load Torque	1.5 LB-FT	
Volts	230/460	Start Configuration	direct on line	
Full Load Amps	2/1	Breakdown Torque	7 LB-FT	
R.P.M.	1725	Pull-up Torque	4.5 LB-FT	
Hz	60 Phase	Locked-rotor Torque	5.3 LB-FT	
NEMA Design Code	B KVA Code	Starting Current	6.5 A	
Service Factor (S.F.)	1.25	No-load Current	0.8 A	
NEMA Nom. Eff.	74 Power Factor	Line-line Res. @ 25°C	32 Ω	
Rating - Duty	40C AMB-CONT	Temp. Rise @ Rated Load	65°C	
S.F. Amps	2.4/1.2	Temp. Rise @ S.F. Load	77°C	
		Locked-rotor Power Factor	66	
		Rotor inertia	0.0381 LB-FT <sup>2</sup>	

**Load Characteristics 460 V, 60 Hz, 0.5 HP**

% of Rated Load	25	50	75	100	125	150	S.F.
Power Factor	30	43	55	63	69	75	0
Efficiency	53.2	66.4	72.5	74.6	75.3	75.1	0
Speed	1782	1769	1754	1739	1724	1706	0
Line amperes	0.8	0.85	0.92	1.03	1.15	1.25	1.15

Performance Graph at 460V, 60Hz, 0.5HP Typical performance - Not guaranteed values



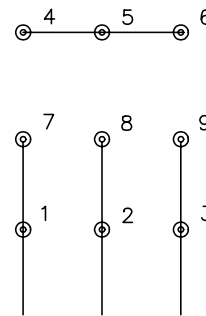




CD0005

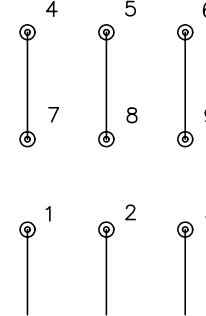


LOW VOLTAGE  
(2Y)



LINE

HIGH VOLTAGE  
(1Y)



LINE

NOTES:

1. INTERCHANGE ANY TWO LINE LEADS TO REVERSE ROTATION.
2. OPTIONAL THERMOSTATS ARE PROVIDED WHEN SPECIFIED.
3. ACTUAL NUMBER OF INTERNAL PARALLEL CIRCUITS MAY BE A MULTIPLE OF THOSE SHOWN ABOVE.
4. LEAD COLORS ARE OPTIONAL. LEADS MUST ALWAYS BE NUMBERED AS SHOWN.

REV. DESC: REVISE TO SHOW OPTIONAL COLORS			
REV. LTR: E	BY: JLP	REVISED: 01/19/99 10:15	TDR: 0171435
90000		FILE: AAA00005140	MDL: -
		MTL: -	

**BALDOR ELECTRIC Co.**

3PH, DV, 9 LEADS

CD0005