



---

# Customer information packet

## CM3542-5

.75HP, 1725RPM, 3PH, 60HZ, 56C, 3420M, TEFC, F1

Class - None

Division - Not Applicable

## Specifications

Enclosure	TEFC
Frame	56C
Frame Material	Steel
Frequency	60.00 Hz
Haz Area Class and Group	None
Haz Area Division	Not Applicable
Motor Letter Type	Three Phase
Output @ Frequency	.750 HP @ 60 HZ
Phase	3
Synchronous Speed @ Frequency	1800 RPM @ 60 HZ
Voltage @ Frequency	575.0 V @ 60 HZ
Agency Approvals	UR CSA
Ambient Temperature	40 °C
Auxillary Box	No Auxillary Box
Auxillary Box Lead Termination	None
Base Indicator	Rigid
Bearing Grease Type	Polyrex EM (-20F +300F)
Blower	None
Current @ Voltage	1.200 A @ 575.0 V
Design Code	B
Drip Cover	No Drip Cover
Duty Rating	CONT
Efficiency @ 100% Load	75.5 %
Electrically Isolated Bearing	Not Electrically Isolated
Feedback Device	NO FEEDBACK
Front Face Code	Standard
Front Shaft Indicator	None
Heater Indicator	No Heater
High Voltage Full Load Amps	1.2 a
Insulation Class	B
Inverter Code	Not Inverter

## Part detail

Revision	R
Type	AC
Mech. spec.	34A062
Base	
Status	PRD/A
Elec. spec.	34WG0908
Layout	34LYA062
Eff. date	02-08-2024
CD Diagram	CD0006
Poles	04
Leads	3#18
Proprietary	False
Created date	01-01-0001

<b>KVA Code</b>	K
<b>Lifting Lugs</b>	No Lifting Lugs
<b>Locked Bearing Indicator</b>	Locked Bearing
<b>Motor Lead Exit</b>	Ko Box
<b>Motor Lead Quantity/Wire Size</b>	3 @ 18 AWG
<b>Motor Lead Termination</b>	Flying Leads
<b>Motor Standards</b>	NEMA
<b>Motor Type</b>	3420M
<b>Mounting Arrangement</b>	F1
<b>Number of Poles</b>	4
<b>Overall Length</b>	11.35 IN
<b>Power Factor</b>	60
<b>Product Family</b>	General Purpose
<b>Pulley End Bearing Type</b>	Ball
<b>Pulley Face Code</b>	C-Face
<b>Pulley Shaft Indicator</b>	Standard
<b>Rodent Screen</b>	None
<b>Service Factor</b>	1.25
<b>Shaft Diameter</b>	0.625 IN
<b>Shaft Extension Location</b>	Pulley End
<b>Shaft Ground Indicator</b>	No Shaft Grounding
<b>Shaft Rotation</b>	Reversible
<b>Shaft Slinger Indicator</b>	No Slinger
<b>Speed</b>	1725 rpm
<b>Speed Code</b>	Single Speed
<b>Starting Method</b>	Direct on line
<b>Thermal Device - Bearing</b>	None
<b>Thermal Device - Winding</b>	None
<b>Vibration Sensor Indicator</b>	No Vibration Sensor
<b>Winding Thermal 1</b>	None
<b>Winding Thermal 2</b>	None

**Nameplate**

<b>NP1256L</b>									
<b>CAT.NO.</b>	CM3542-5								
<b>SPEC.</b>	34A062-0908								
<b>HP</b>	.75								
<b>VOLTS</b>	575								
<b>AMP</b>	1.2								
<b>RPM</b>	1725								
<b>FRAME</b>	56C		<b>HZ</b>	60		<b>PH</b>	3		
<b>SER.F.</b>	1.25	<b>CODE</b>	K	<b>DES</b>	B	<b>CLASS</b>	B		
<b>NEMA-NOM-EFF</b>	75.5	<b>PF</b>	60						
<b>RATING</b>	40C AMB-CONT								
<b>CC</b>									
<b>DE</b>	6203		<b>ODE</b>	6203					
<b>ENCL</b>	TEFC	<b>SN</b>							
	SFA 1.4								

## Parts list

Part number	Description	Quantity
SA057524	SA 34A062-0908	1.000 ea
RA052014	RA 34A062-0908	1.000 ea
NS2512A01	INSULATOR, CONDUIT BOX X	1.000 ea
34CB3002A	CB CAST W/.88 DIA HOLE	1.000 ea
34GS1029A01	GASKET, CONDUIT BOX	1.000 ea
51XB1016A07	10-16 X 7/16 HXWSSLD SERTYB	2.000 ea
11XW1032G06	10-32 X .38, TAPTITE II, HEX WSHR SLTD U	1.000 ea
34EP3102A01SP	FR ENDPLATE, MACH	1.000 ea
HW5100A03	WAVY WASHER (W1543-017)	1.000 ea
34EP3300A24SP	PU ENDPLATE, MACH	1.000 ea
51XN1032A20	10-32 X 1 1/4 HX WS SL SR	2.000 ea
34FN3002A01SP	EXTERNAL FAN, PLASTIC, .637/.639 HUB W/	1.000 ea
34FH4002A01SP	IEC FH NO GREASER PRIMED	1.000 ea
51XW1032A06	10-32 X .38, TAPTITE II, HEX WSHR SLTD S	3.000 ea
34CB4517	CB LID 4 MTG HOLES .22 DIA STAMPED, FOR	1.000 ea
34GS1031A01	GASKET, FLAT CONDUIT BOX LID (LEXIDE)	1.000 ea
51XW0832A07	8-32 X .44, TAPTITE II, HEX WSHR SLTD SE	4.000 ea
HW2501D13	KEY, 3/16 SQ X 1.375	1.000 ea
HA7000A04	KEY RETAINER 0.625 DIA SHAFTS	1.000 ea
MG1000G27	MED CHARCOAL METALLIC GREY	0.014 ga
85XU0407S04	4X1/4 U DRIVE PIN STAINLESS	2.000 ea
HA3100A12	THRUBOLT 10-32 X 7.375	4.000 ea
MN416A01	TAG-INSTAL-MAINT no wire (2100bx)4/22	1.000 ea
LB1624	COMBINED WARNING LABEL, ISO/ANSI PICTOGR	1.000 ea
NP1256L	ALUM UL CC INDUSTRIAL MOTOR A60	1.000 ea
34PA1002	PKG GRP, PRINT PK1001A01	1.000 ea

**AC Induction Motor Performance Data**

Record # 33219

Typical performance - not guaranteed values

Winding: 34WG0908-R001		Type: 3420M	Enclosure: TEFC	
<b>Nameplate Data</b>			<b>575 V, 60 Hz: Single Voltage Motor</b>	
Rated Output (HP)	.75	Full Load Torque	2.25 LB-FT	
Volts	575	Start Configuration	direct on line	
Full Load Amps	1.2	Breakdown Torque	10 LB-FT	
R.P.M.	1725	Pull-up Torque	8.5 LB-FT	
Hz	60 Phase	Locked-rotor Torque	8.8 LB-FT	
NEMA Design Code	B KVA Code	Starting Current	8 A	
Service Factor (S.F.)	1.25	No-load Current	0.9 A	
NEMA Nom. Eff.	75.5 Power Factor	Line-line Res. @ 25°C	27.8 Ω	
Rating - Duty	40C AMB-CONT	Temp. Rise @ Rated Load	48°C	
S.F. Amps	1.4	Temp. Rise @ S.F. Load	59°C	

**Load Characteristics 575 V, 60 Hz, 0.75 HP**

% of Rated Load	25	50	75	100	125	150	S.F.
Power Factor	26	41	51	61	69	77	69
Efficiency	56.1	70	74.8	76.2	76	75.3	76
Speed	1783	1766	1749	1731	1711	1693	1711
Line amperes	1	1	1.1	1.2	1.3	1.4	1.3

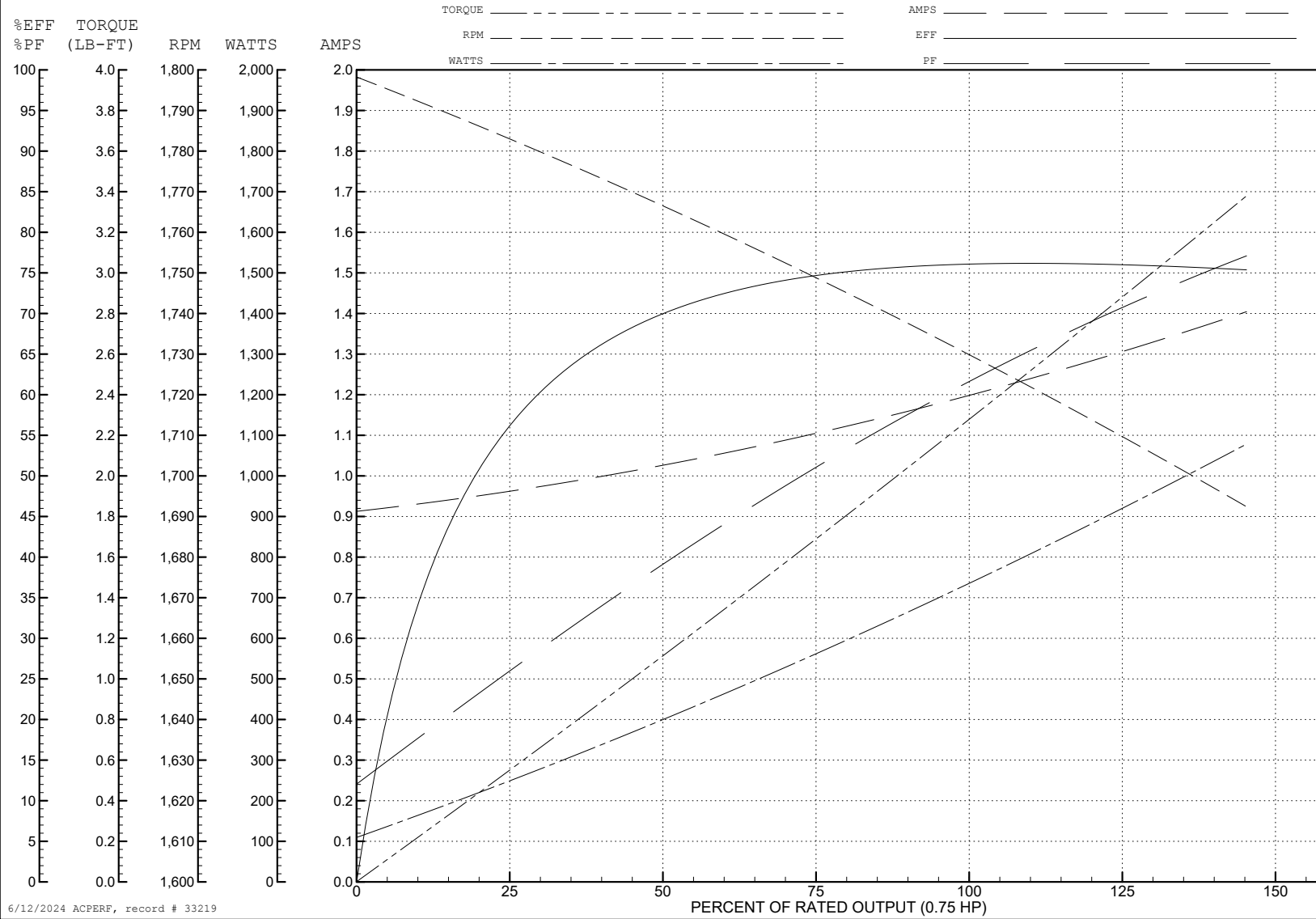
ABB Motors and Mechanical Inc.

WINDING # 34WG0908

0.75 HP 3 PH 60 HZ 1725 RPM 575 V 3420M

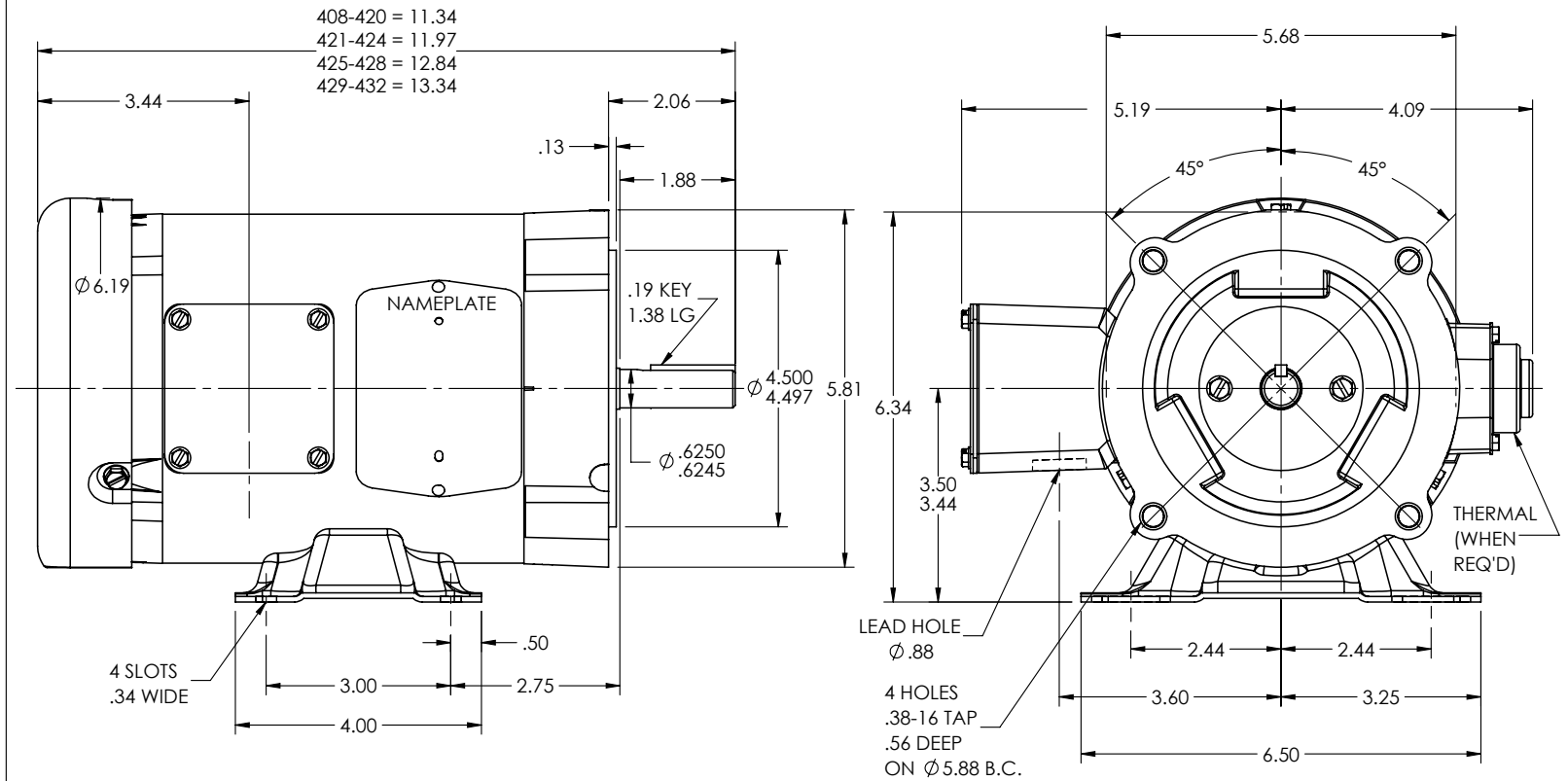
Typical performance - not guaranteed values.

TORQUES (LB-FT): PO=10 PU=8.5 LR=8.8 LRA=8



6/12/2024 ACPERF, record # 33219

34LYA062



CUSTOMER IS RESPONSIBLE FOR DETERMINING THAT THE PRODUCT WILL PERFORM SUITABLY IN THE INTENDED APPLICATION

REV. DESC: LOAD TO SOLIDWORKS

REV: T	VERSION: 05	REVISED: 10:24:02 08/10/2022	TDR: 000001194274
--------	-------------	------------------------------	-------------------

34LYA062

MODEL NO. 34LYA062

BY: ENFRAJ0

REF: -

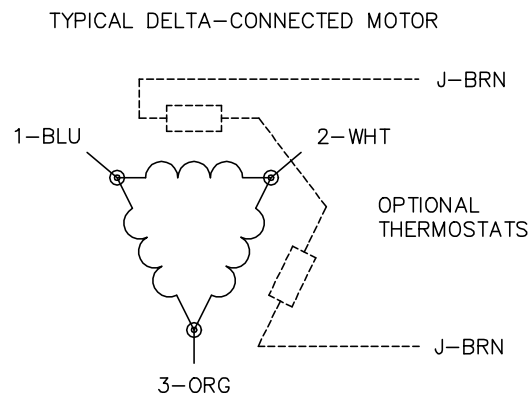
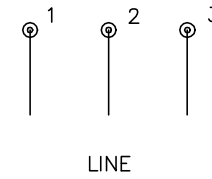
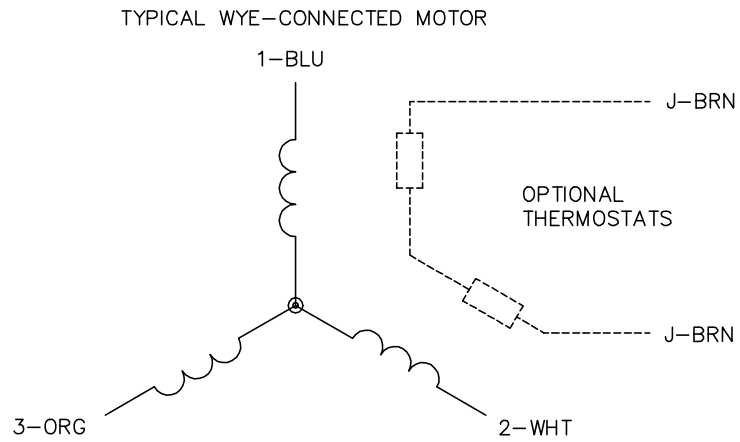
**BALDOR - RELIANCE®**

STD HORZ 34M NEMA 56C TEFC

34LYA062



CD0006



NOTES:

1. THREE LEAD MOTOR MAY BE EITHER WYE CONNECTED OR DELTA CONNECTED.
2. INTERCHANGE ANY TWO LINE LEADS TO REVERSE ROTATION.
3. OPTIONAL THERMOSTATS ARE PROVIDED WHEN SPECIFIED.
4. ACTUAL NUMBER OF INTERNAL PARALLEL CIRCUITS MAY VARY.
5. LEAD COLORS ARE OPTIONAL. LEADS MUST BE NUMBERED AS SHOWN.

CD0006

REV. DESC: ADD CLASS CONN00000007		
REV. LTR: E	VERSION: 01	TDR: 000001099922
FILE: \AAA\00005\141	REVISED: 10:24:49 02/19/2019	BY: ENBRIRO
MTL: -	© □	

**BALDOR - RELIANCE®**

3PH, SV, 3 LEADS, WYE OR DELTA CONNECTED

SH 1 of 1