

**BALDOR® • RELIANCE** 

**Product Information Packet**

**CM3550**

**1.5HP,3450RPM,3PH,60HZ,56C,3424M,TEFC,F1**

Part Detail							
Revision:	S	Status:	INA/A	Change #:		Proprietary:	No
Type:	AC	Elec. Spec:	34WG0283	CD Diagram:	CD0005	Mfg Plant:	
Mech. Spec:	34-1297	Layout:	34LY1297	Poles:	02	Created Date:	
Base:	RG	Eff. Date:	05-17-2016	Leads:	9#18		

Specs			
Catalog Number:	CM3550	Front Shaft Indicator:	None
Enclosure:	TEFC	Heater Indicator:	No Heater
Frame:	56C	Insulation Class:	B
Frame Material:	Steel	Inverter Code:	Not Inverter
Motor Letter Type:	Three Phase	KVA Code:	L
Output @ Frequency:	1.500 HP @ 60 HZ	Lifting Lugs:	No Lifting Lugs
Synchronous Speed @ Frequency:	3600 RPM @ 60 HZ	Locked Bearing Indicator:	Locked Bearing
Voltage @ Frequency:	460.0 V @ 60 HZ	Motor Lead Quantity/Wire Size:	9 @ 18 AWG
	230.0 V @ 60 HZ	Motor Lead Exit:	Ko Box
	208.0 V @ 60 HZ	Motor Lead Termination:	Flying Leads
XP Class and Group:	None	Motor Type:	3424M
XP Division:	Not Applicable	Mounting Arrangement:	F1
Agency Approvals:	CSA	Power Factor:	74
	UR	Product Family:	General Purpose
Auxillary Box:	No Auxillary Box	Pulley End Bearing Type:	Ball
Auxillary Box Lead Termination:	None	Pulley Face Code:	C-Face
Base Indicator:	Rigid	Pulley Shaft Indicator:	Standard
Bearing Grease Type:	Polyrex EM (-20F +300F)	Rodent Screen:	None

<b>Blower:</b>	None	<b>Shaft Extension Location:</b>	Pulley End
<b>Current @ Voltage:</b>	5.300 A @ 208.0 V	<b>Shaft Ground Indicator:</b>	No Shaft Grounding
	4.900 A @ 208.0 V	<b>Shaft Rotation:</b>	Reversible
	4.600 A @ 230.0 V	<b>Shaft Slinger Indicator:</b>	No Slinger
	2.300 A @ 460.0 V	<b>Speed Code:</b>	Single Speed
<b>Design Code:</b>	B	<b>Motor Standards:</b>	NEMA
<b>Drip Cover:</b>	No Drip Cover	<b>Starting Method:</b>	Direct on line
<b>Duty Rating:</b>	CONT	<b>Thermal Device - Bearing:</b>	None
<b>Electrically Isolated Bearing:</b>	Not Electrically Isolated	<b>Thermal Device - Winding:</b>	None
<b>Feedback Device:</b>	NO FEEDBACK	<b>Vibration Sensor Indicator:</b>	No Vibration Sensor
<b>Front Face Code:</b>	Standard	<b>Winding Thermal 1:</b>	None
		<b>Winding Thermal 2:</b>	None

Nameplate NP1256L										
CAT.NO.										
SPEC.	34-1297-283									
HP	1.5									
VOLTS	208-230/460									
AMP	4.9-4.6/2.3									
RPM	3450									
FRAME	56C				HZ	60			PH	3
SER.F.	1.15			CODE	L	DES	B		CLASS	B
NEMA-NOM-EFF	80			PF	74					
RATING	40C AMB-CONT									
CC									USABLE AT 208V	5.3
DE	6203				ODE	6203				
ENCL	TEFC			SN						
	SFA 5.3-5/2.5									

Parts List		
Part Number	Description	Quantity
SA008688	SA 34-1297-283	1.000 EA
RA005135	RA 34-1297-283	1.000 EA
NS2512A01	INSULATOR, CONDUIT BOX X	1.000 EA
34CB3002A	CB CAST W/.88 DIA HOLE	1.000 EA
34GS1029A01	GASKET, CONDUIT BOX	1.000 EA
51XB1016A07	10-16 X 7/16 HXWSSLD SERTYB	2.000 EA
11XW1032G06	10-32 X .38, TAPTITE II, HEX WSHR SLTD U	1.000 EA
34EP3102A01SP	FR ENDPLATE, MACH	1.000 EA
HW5100A03	WAVY WASHER (W1543-017)	1.000 EA
34EP3300A24SP	PU ENDPLATE, MACH	1.000 EA
51XN1032A20	10-32 X 1 1/4 HX WS SL SR	2.000 EA
34FN3002A01SP	EXTERNAL FAN, PLASTIC, .637/.639 HUB W/	1.000 EA
34FH4002A01SP	IEC FH NO GREASER PRIMED	1.000 EA
51XW1032A06	10-32 X .38, TAPTITE II, HEX WSHR SLTD S	3.000 EA
34CB4517	CB LID 4 MTG HOLES .22 DIA STAMPED, FOR	1.000 EA
34GS1031A01	GASKET, FLAT CONDUIT BOX LID (LEXIDE)	1.000 EA
51XW0832A07	8-32 X .44, TAPTITE II, HEX WSHR SLTD SE	4.000 EA
HW2501D13	KEY, 3/16 SQ X 1.375	1.000 EA
HA7000A04	KEY RETAINER 0.625 DIA SHAFTS	1.000 EA
MG1000G27	MED CHARCOAL METALLIC GREY 400-0096	0.014 GA
10XF0440S02	04-40 X 1/8 TYPE F HEX HD STAINLESS STIC	2.000 EA
HA3100A15	THRUBOLT 10-32 X 8.375	4.000 EA
MN416A01	TAG-INSTAL-MAINT no wire (2200bx) 4/22	1.000 EA
LB1417	LABEL CARTON 6X4 PERFORATED BLANK ROLLS	1.000 EA

<b>Parts List (continued)</b>		
<b>Part Number</b>	<b>Description</b>	<b>Quantity</b>
LC0005E01	CONN.DIA./WARNING LABEL (LC0005/LB1119N)	1.000 EA
NP1256L	ALUM UL CSA CC INDUSTRIAL MOTOR A60	1.000 EA
34PA1005	PKG GRP, PRINT PK1008A06	1.000 EA

**AC Induction Motor Performance Data**

Record # 6569

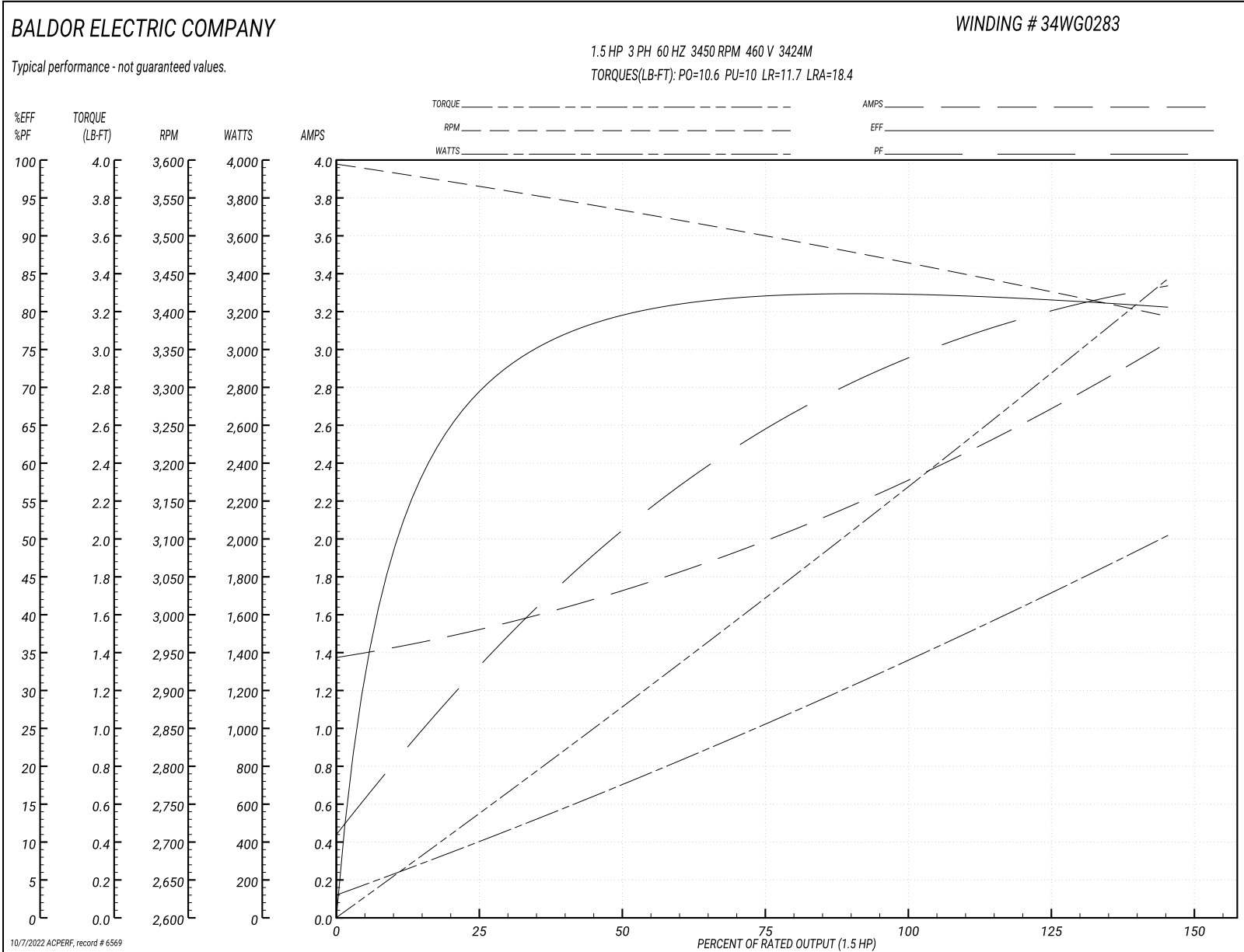
Typical performance - not guaranteed values

Winding: 34WG0283-R001		Type: 3424M	Enclosure: TEFC
<b>Nameplate Data</b>		<b>460 V, 60 Hz: High Voltage Connection</b>	
Rated Output (HP)	1.5	Full Load Torque	2.25 LB-FT
Volts	208-230/460	Start Configuration	direct on line
Full Load Amps	4.9-4.6/2.3	Breakdown Torque	10.6 LB-FT
R.P.M.	3450	Pull-up Torque	10 LB-FT
Hz	60 Phase	Locked-rotor Torque	11.7 LB-FT
NEMA Design Code	B KVA Code	Starting Current	18.4 A
Service Factor (S.F.)	1.15	No-load Current	1.4 A
NEMA Nom. Eff.	80 Power Factor	Line-line Res. @ 25°C	8.53 Ω
Rating - Duty	40C AMB-CONT	Temp. Rise @ Rated Load	71°C
S.F. Amps	5.3-5/2.5	Temp. Rise @ S.F. Load	83°C
		Locked-rotor Power Factor	67
		Rotor inertia	0.0223 LB-FT <sup>2</sup>

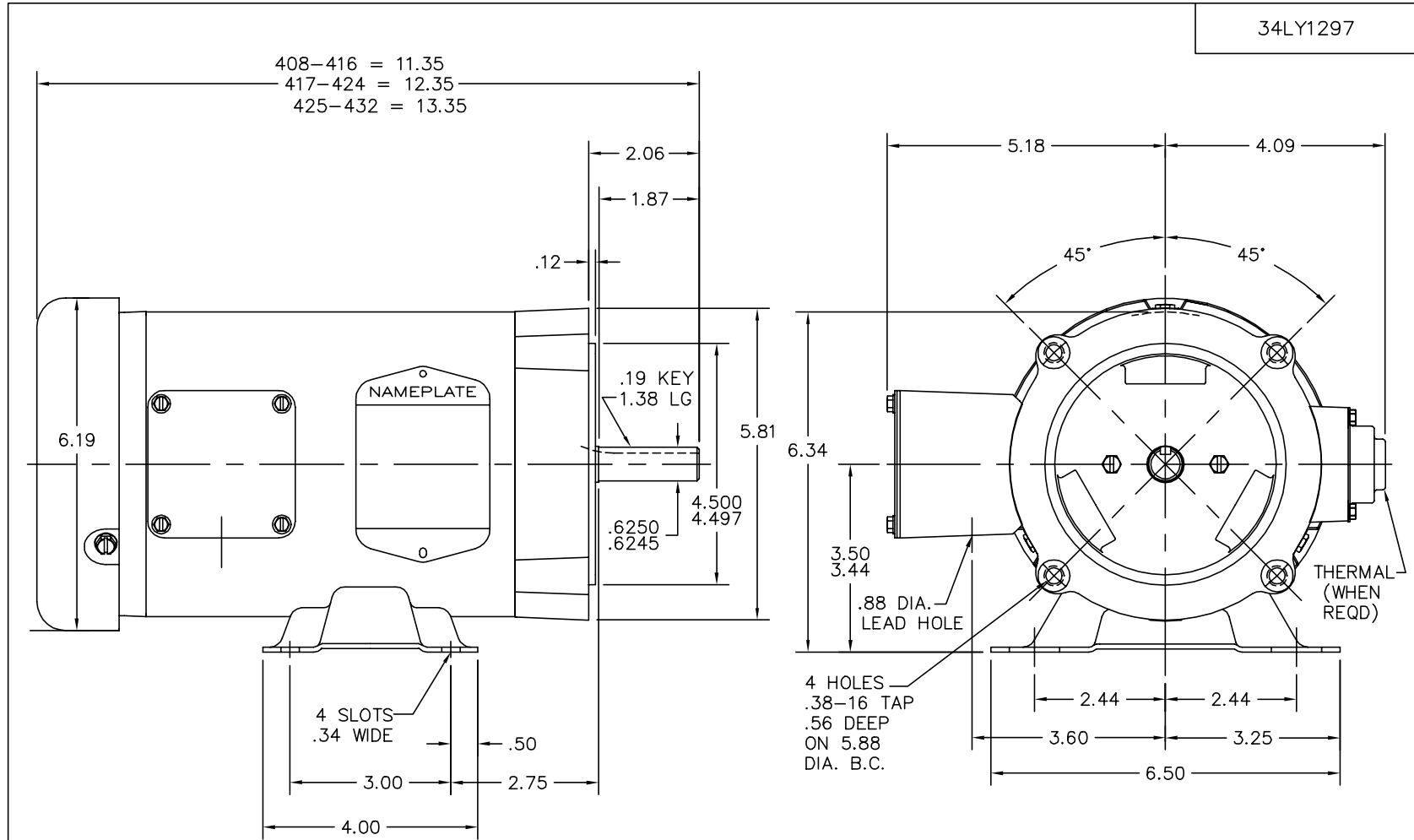
**Load Characteristics 460 V, 60 Hz, 1.5 HP**

% of Rated Load	25	50	75	100	125	150	S.F.
Power Factor	39	57	68	76	81	84	79
Efficiency	70.7	79.6	81.8	82.3	81.7	80.6	81.9
Speed	3564	3533	3501	3466	3429	3394	3444
Line amperes	1.5	1.7	2	2.3	2.7	3	2.54

Performance Graph at 460V, 60Hz, 1.5HP Typical performance - Not guaranteed values







CUSTOMER IS RESPONSIBLE FOR DETERMINING THAT MOTOR PERFORMANCE IS SUITABLE IN THE APPLICATION.

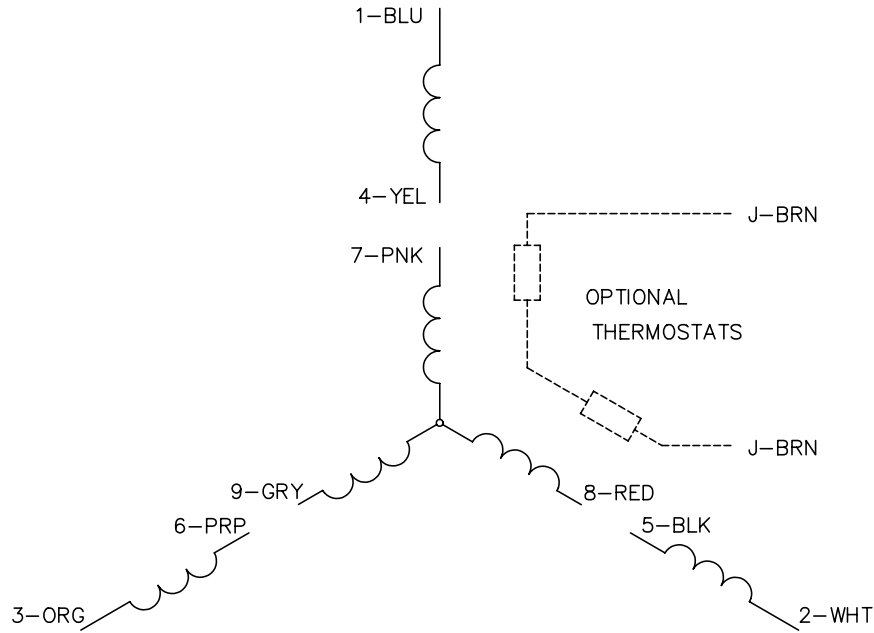
REV. DESC: NEW KBOX, LID & GASKETS		
REV. LTR: F	BY: RT	REVISED: 09:47:09 02/02/2004 TDR: 321325
FILE: AAA00025920		REF: 34LY1297
MTL: -		

**BALDOR ELECTRIC Co.**

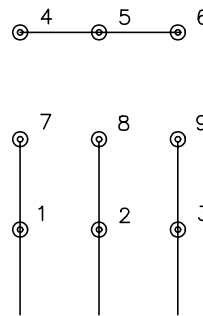
STD HORZ MODEL 34M NEMA 56C TEFC

34LY1297

CD0005

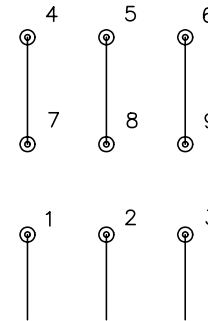


LOW VOLTAGE  
(2Y)



LINE

HIGH VOLTAGE  
(1Y)



LINE

NOTES:

1. INTERCHANGE ANY TWO LINE LEADS TO REVERSE ROTATION.
2. OPTIONAL THERMOSTATS ARE PROVIDED WHEN SPECIFIED.
3. ACTUAL NUMBER OF INTERNAL PARALLEL CIRCUITS MAY BE A MULTIPLE OF THOSE SHOWN ABOVE.
4. LEAD COLORS ARE OPTIONAL. LEADS MUST ALWAYS BE NUMBERED AS SHOWN.

REV. DESC: REVISE TO SHOW OPTIONAL COLORS			
REV. LTR: E	BY: JLP	REVISED: 01/19/99 10:15	TDR: 0171435
900000		FILE: AAA00005140	MDL: -
		MTL: -	

**BALDOR ELECTRIC Co.**

3PH, DV, 9 LEADS

CD0005