

**BALDOR® • RELIANCE** 

**Product Information Packet**

**CPX21726T**

**7.5HP,3510//2925RPM,3PH,60HZ,213T,XPFC,F**

Part Detail							
Revision:	E	Status:	PRD/A	Change #:		Proprietary:	No
Type:	AC	Elec. Spec:	07WGY010	CD Diagram:	CD0005	Mfg Plant:	
Mech. Spec:		Layout:	07LY-000-018	Poles:	02	Created Date:	04-26-2019
Base:		Eff. Date:	04-13-2021	Leads:	9#14		

Specs			
Catalog Number:	CPX21726T	Duty Rating:	CONT
Enclosure:	XPFC	Electrically Isolated Bearing:	Not Electrically Isolated
Frame:	213T	Enclosure Modification:	Severe Duty Features
Frame Material:	Iron	Feedback Device:	NO FEEDBACK
Motor Letter Type:	Three Phase	Heater Indicator:	No Heater
Output @ Frequency:	5.000 HP @ 50 HZ	Insulation Class:	F
	7.500 HP @ 60 HZ	Inverter Code:	Inverter Duty
Synchronous Speed @ Frequency:	3600 RPM @ 60 HZ	IP Rating:	IP55
Voltage @ Frequency:	380.0 V @ 50 HZ	KVA Code:	H
	230.0 V @ 60 HZ	Lifting Lugs:	Standard Lifting Lugs
	190.0 V @ 50 HZ	Locked Bearing Indicator:	Locked Bearing
	460.0 V @ 60 HZ	Motor Lead Termination:	Flying Leads
XP Class and Group:	CLI GP C,D; CLII GP E,F,G	Motor Type:	0732M
XP Division:	Division I	Mounting Arrangement:	F1
Agency Approvals:	CSA	Power Factor:	88
	CSA EEV	Product Family:	Super-E Chemical Processing
	UR	Pulley Face Code:	Standard
Auxillary Box:	No Auxillary Box	Rodent Screen:	None

<b>Auxillary Box Lead Termination:</b>	None	<b>RoHS Status:</b>	ROHS NON-COMPLIANT
<b>Base Indicator:</b>	Rigid	<b>Shaft Ground Indicator:</b>	No Shaft Grounding
<b>Bearing Grease Type:</b>	Polyrex EM (-20F +300F)	<b>Shaft Rotation:</b>	Reversible
<b>Blower:</b>	None	<b>Speed Code:</b>	Single Speed
<b>Constant Torque Speed Range:</b>	6	<b>Motor Standards:</b>	NEMA
<b>Current @ Voltage:</b>	7.200 A @ 380.0 V	<b>Starting Method:</b>	Direct on line
	8.600 A @ 460.0 V	<b>Thermal Device - Bearing:</b>	None
	17.200 A @ 230.0 V	<b>Thermal Device - Winding:</b>	Normally Closed Thermostat
	14.400 A @ 190.0 V	<b>Vibration Sensor Indicator:</b>	No Vibration Sensor
<b>Design Code:</b>	B	<b>Winding Thermal 1:</b>	None
<b>Drip Cover:</b>	No Drip Cover	<b>Winding Thermal 2:</b>	None
		<b>XP Temp Code:</b>	T3C

Nameplate NP2033XPSLEV											
NO.						CC	010A				
S/N						TEMP CODE	T3C				
SPEC.	07-0000-0121					INV.TYPE	PWM				
CAT.NO.	CPX21726T					C HP FR	60		C HP TO	90	
HP	7.5//5					CT HZ FROM	6		CT HZ TO	60	
VOLTS	230/460//190/380					VT HZ FROM	6		VT HZ TO	60	
AMPS	17.2/8.6//14.4/7.2					MAG CUR	5.6/2.8				
RPM	3510//2925					MX RPM	5400				
HZ	60//50		PH	3		CL	F		NOM.EFF.	91.7	
SER.F.	1.00		DES	B		SL HZ	1.5		WK2	0.292	
FRAME	213T		RATING	40C AMB-CONT							
BLANK	55C AMB AT 1.00 SF SINEWAVE										
	NEMA MG-1 PART 5, IP55					1.15 SF SINEWAVE					

Parts List		
Part Number	Description	Quantity
SA369033	SA 07-0000-0121	1.000 EA
RA358573	RA 07-0000-0121	1.000 EA
LB1115N	LABEL,LIFTING DEVICE (ON ROLLS)	1.000 EA
LB1119N	WARNING LABEL	1.000 EA
LC0145B01	CONNECTION LABEL	1.000 EA
NP2033XPSLEV	SS XP INV UL CSA-EEV CC CL-I GP-C&D	1.000 EA
85XU0407S04	4X1/4 U DRIVE PIN STAINLESS	2.000 EA
MN416A01	TAG-INSTAL-MAINT no wire (2200bx) 4/22	1.000 EA
LB1081F	ALUM XP CAUTION LABEL (FS PLANT ONLY-	1.000 EA
HW3201A05	3/8-16 EYEBOLT	1.000 EA
07FH1003A05G	FAN HOUSING 307 EXPLOSION PROOF W/ GREAS	1.000 EA
10XN2520A12	1/4-20 X 3/4 HEX HEAD CAP	4.000 EA
36FN3000C02SP	EXFN, PLASTIC, 5.25 OD, 1.175 ID	1.000 EA
51XB1214A16	12-14X1.00 HXWSSLD SERTYB	1.000 EA
MJ1000A02	GREASE, POLYREX EM EXXON	0.050 LB
07EP1707A22G	FRONT ENDPLATE EXPLOSION PROOF(GROUP C &	1.000 EA
10XN3816K28	3/8-16 X 1.75 HEX HD CAP SCREW, GRADE 5	4.000 EA
HW1001A38	LOCKWASHER 3/8, ZINC PLT .688 OD, .382 I	4.000 EA
HA2009A25	SLINGER, FOR GROUP E MOTORS - 206 BRG.	1.000 EA
80XN0632A10	SET SCREW,#6-32 X .62 LG.HEX SOC. HD.	2.000 EA
HW5100A06	W2420-025 WVY WSHR (WB)	1.000 EA
HW4500A01	1641B(ALEMITE)400 UNIV, GREASE FITT	1.000 EA
HW4500A19	1/4-28X1/4 SLOTTED PLUG F/S	1.000 EA
HW4506A02	BREATHER/DRAIN-EXP PROOF-.125-27 NPTF AI	1.000 EA

Parts List (continued)		
Part Number	Description	Quantity
HW3022E05	.125 DIA X .500 ROLLED SPRING PIN	1.000 EA
07EP1709A09G	PUEP X-PROOF W/LOK'D BRG. GP-E (GREY)	1.000 EA
HW1001A38	LOCKWASHER 3/8, ZINC PLT .688 OD, .382 I	4.000 EA
10XN3816K28	3/8-16 X 1.75 HEX HD CAP SCREW, GRADE 5	4.000 EA
HA2009A56	SLINGER, FOR GROUP E MOTORS - 307 BRG.	1.000 EA
80XN0632A10	SET SCREW,#6-32 X .62 LG.HEX SOC. HD.	1.000 EA
10XN2520A36	1/4-20X 2 1/4 HEX HD X	4.000 EA
HW1001A25	LOCKWASHER 1/4, ZINC PLT .493 OD, .255 I	4.000 EA
HW4500A01	1641B(ALEMITE)400 UNIV, GREASE FITT	1.000 EA
HW4500A19	1/4-28X1/4 SLOTTED PLUG F/S	1.000 EA
HW4506A02	BREATHER/DRAIN-EXP PROOF-.125-27 NPTF AI	1.000 EA
HW3022E05	.125 DIA X .500 ROLLED SPRING PIN	1.000 EA
07CB1000A01G	CONDUIT BOX MACH, W/EPOXY GRAY	1.000 EA
10XN3118A16	5/16-18X1 HEX HD CAP	4.000 EA
WD1000B17	T&B CX35TN OR L35P TERMINAL LUG	1.000 EA
11XW1032G06	10-32 X .38, TAPTITE II, HEX WSHR SLTD U	1.000 EA
07CB1502A01G	CONDUIT BOX LID MACH (DUCTILE IRON) GRAY	1.000 EA
84XN2520J16	1/4-20 X 1 SOC HD CAP SCREW	4.000 EA
MG1500Y02	WILKOPON PRIMER YELLOW	0.022 GA
MG1025G29	WILKOFASST, 789.229, DARK CHARCOAL GRAY	0.022 GA
07PA1011	PKG GRP, 07 CAST IRON PK1181	1.000 EA
10XL3808A28	3/8 X 1 3/4" LAG SCREW	2.000 EA
HW2501F21	KEY, 5/16 SQ X 2.375	1.000 EA
HA7000A02	KEY RETAINER RING, 1 1/8 DIA, 1 3/8 DIA	1.000 EA

MJ5001A27	32220KN GRAY SEALER *MIN BUY 4 QTS=1GAL	0.001 QT
-----------	---	----------

**AC Induction Motor Performance Data**

Record # 75759

Typical performance - not guaranteed values

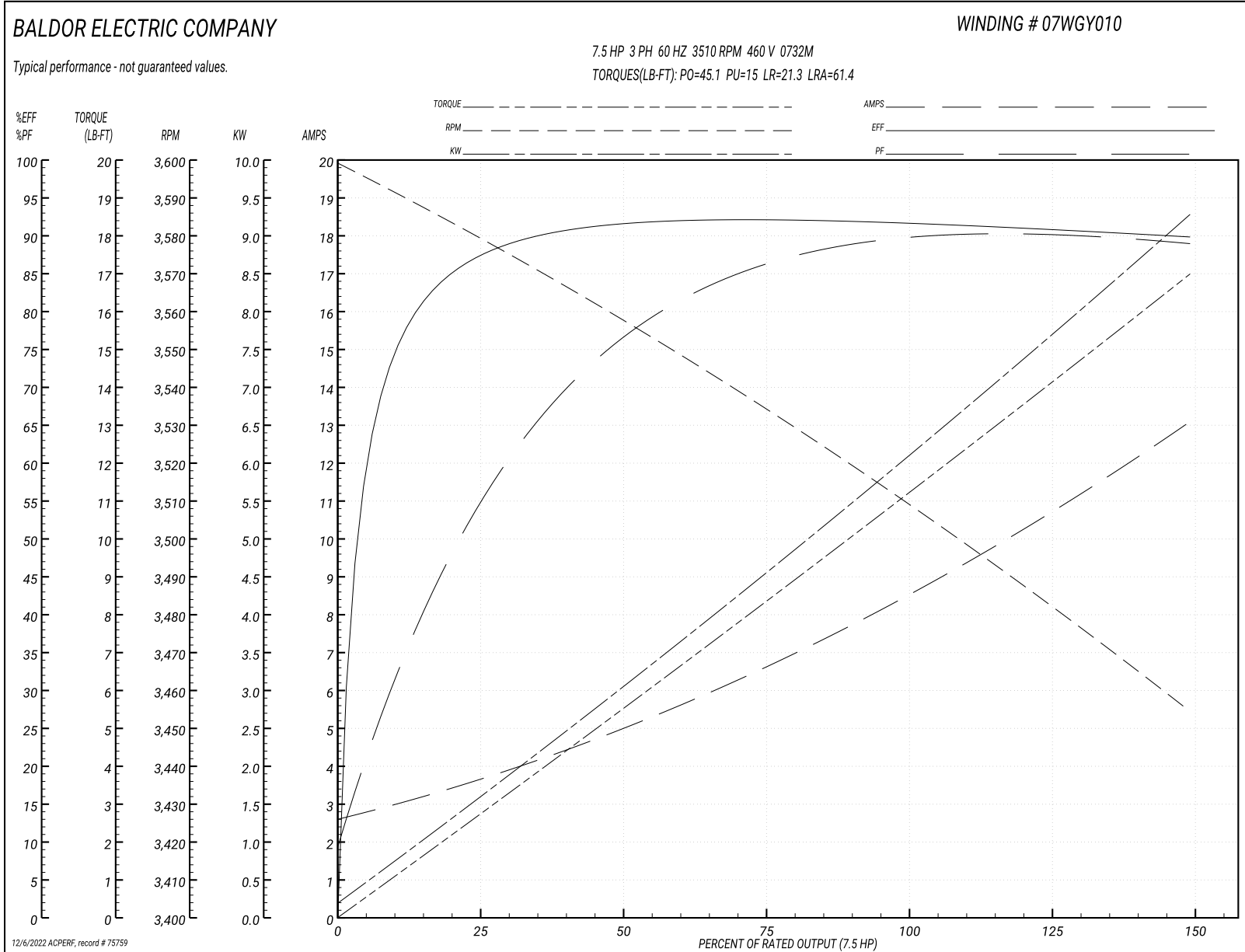
<b>Winding: 07WGY010-R003</b>		<b>Type: 0732M</b>		<b>Enclosure: XPFC</b>	
<b>Nameplate Data</b>			<b>460 V, 60 Hz: High Voltage Connection</b>		
<b>Rated Output (HP)</b>	7.5		<b>Full Load Torque</b>	11.1 LB-FT	
<b>Volts</b>	230/460//190/380		<b>Start Configuration</b>	direct on line	
<b>Full Load Amps</b>	17.2/8.6//14.4/7.2		<b>Breakdown Torque</b>	45.1 LB-FT	
<b>R.P.M.</b>	3510//2925		<b>Pull-up Torque</b>	15 LB-FT	
<b>Hz</b>	60//50	<b>Phase</b>	3	<b>Locked-rotor Torque</b>	21.3 LB-FT
<b>NEMA Design Code</b>	<b>B KVA Code</b>		H	<b>Starting Current</b>	61.4 A
<b>Service Factor (S.F.)</b>			1	<b>No-load Current</b>	2.75 A
<b>NEMA Nom. Eff.</b>	91.7	<b>Power Factor</b>	88	<b>Line-line Res. @ 25°C</b>	1.14 Ω
<b>Rating - Duty</b>	40C AMB-CONT			<b>Temp. Rise @ Rated Load</b>	41°C
				<b>Locked-rotor Power Factor</b>	31.7
				<b>Rotor inertia</b>	0.292 LB-FT <sup>2</sup>

**Load Characteristics 460 V, 60 Hz, 7.5 HP**

<b>% of Rated Load</b>	<b>25</b>	<b>50</b>	<b>75</b>	<b>100</b>	<b>125</b>	<b>150</b>
<b>Power Factor</b>	57	78	85	89	89	90
<b>Efficiency</b>	86.7	91.2	92.2	91.8	90.9	89.8
<b>Speed</b>	3579	3558	3536	3510	3484	3454
<b>Line amperes</b>	3.42	4.86	6.63	8.52	10.7	13



Performance Graph at 460V, 60Hz, 7.5HP Typical performance - Not guaranteed values



**AC Induction Motor Performance Data**

Record # 75760

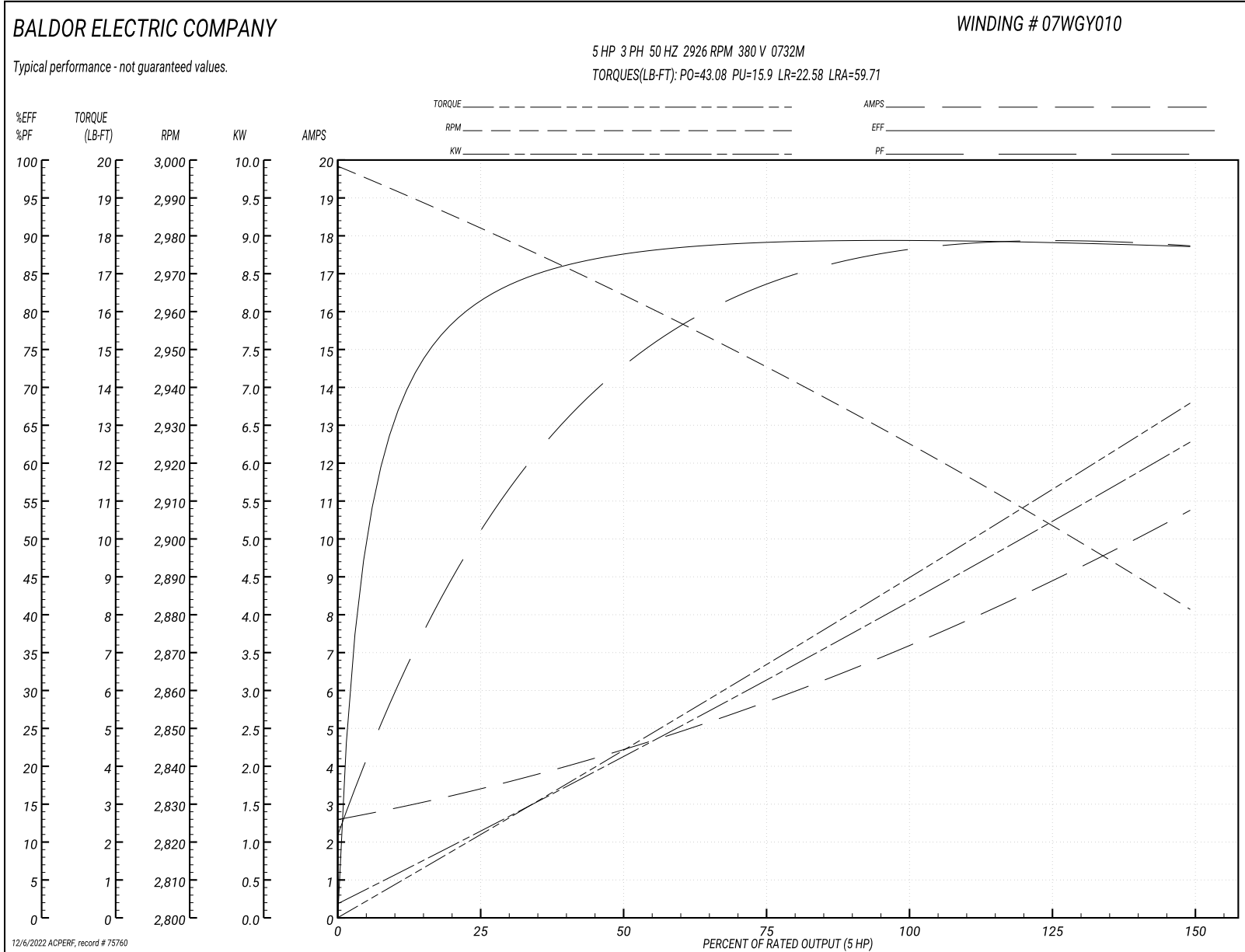
Typical performance - not guaranteed values

<b>Winding: 07WGY010-R003</b>		<b>Type: 0732M</b>		<b>Enclosure: XPFC</b>	
<b>Nameplate Data</b>			<b>380 V, 50 Hz: High Voltage Connection</b>		
<b>Rated Output (HP)</b>	7.5		<b>Full Load Torque</b>	8.88 LB-FT	
<b>Volts</b>	230/460//190/380		<b>Start Configuration</b>	direct on line	
<b>Full Load Amps</b>	17.2/8.6//14.4/7.2		<b>Breakdown Torque</b>	43.08 LB-FT	
<b>R.P.M.</b>	3510//2925		<b>Pull-up Torque</b>	15.9 LB-FT	
<b>Hz</b>	60//50	<b>Phase</b>	3	<b>Locked-rotor Torque</b>	22.58 LB-FT
<b>NEMA Design Code</b>	<b>B KVA Code</b>		H	<b>Starting Current</b>	59.71 A
<b>Service Factor (S.F.)</b>			1	<b>No-load Current</b>	2.71 A
<b>NEMA Nom. Eff.</b>	91.7	<b>Power Factor</b>	88	<b>Line-line Res. @ 25°C</b>	1.14 Ω
<b>Rating - Duty</b>	40C AMB-CONT			<b>Temp. Rise @ Rated Load</b>	32°C
				<b>Locked-rotor Power Factor</b>	35.9
				<b>Rotor inertia</b>	0.292 LB-FT <sup>2</sup>

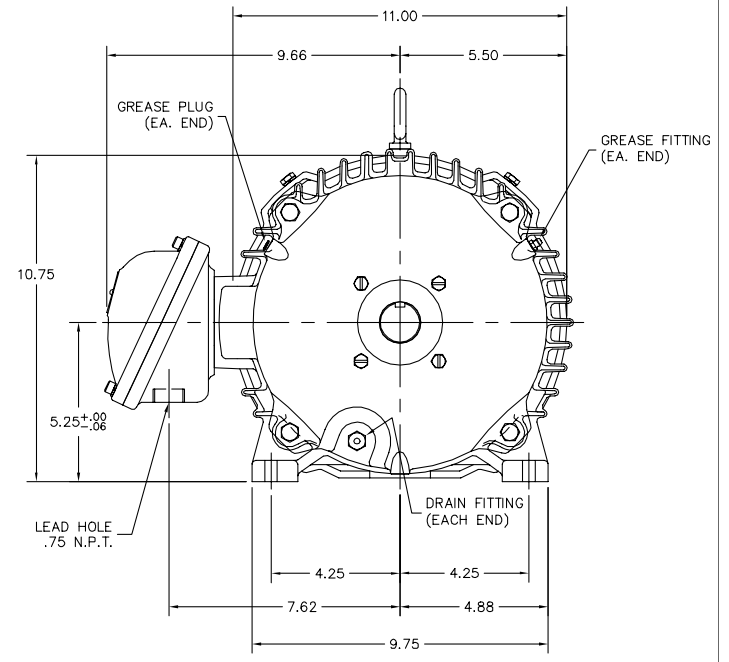
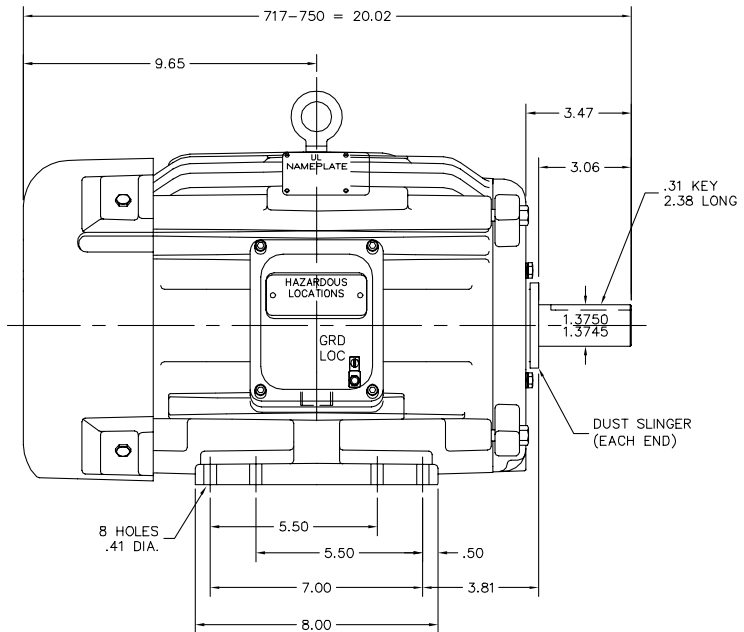
**Load Characteristics 380 V, 50 Hz, 5 HP**

<b>% of Rated Load</b>	<b>25</b>	<b>50</b>	<b>75</b>	<b>100</b>	<b>125</b>	<b>150</b>
<b>Power Factor</b>	53	74	83	87	89	89
<b>Efficiency</b>	80	87	89.2	89.6	89.2	88.4
<b>Speed</b>	2982	2964	2947	2926	2905	2881
<b>Line amperes</b>	3.22	4.34	5.7	7.18	8.88	10.68

Performance Graph at 380V, 50Hz, 5.0HP Typical performance - Not guaranteed values



07LY-000-018



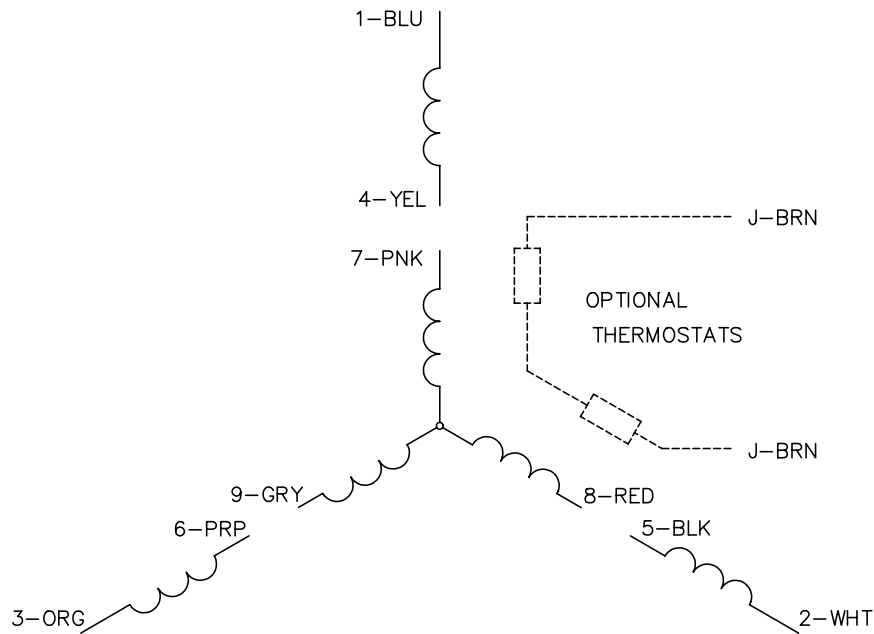
07LY-000-018

CUSTOMER IS RESPONSIBLE FOR DETERMINING THAT THE PRODUCT WILL PERFORM SUITABLY IN THE INTENDED APPLICATION.

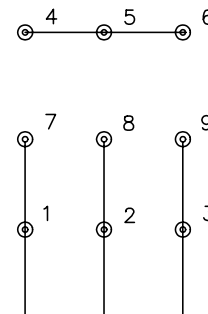
REV. DESC: CHG 07SH5147 TO 07SH5593		
REV. LTR: A	VERSION: 01	TDR: 000001166064
FILE: \AAA\00247\296	REVISED: 11:10:26 04/27/2021	BY: ENROSTO
MTL: -		

**BALDOR - RELIANCE**<sup>®</sup>  
 HOR 213-5T XPFC M CLI GP C&D,CLII GP E,F&G, CP FEAT, GRSR  
 SH 1 of 1

CD0005

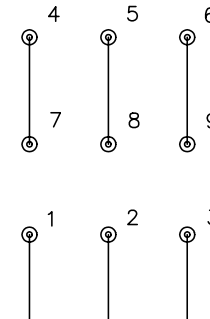


LOW VOLTAGE  
(2Y)



LINE

HIGH VOLTAGE  
(1Y)



LINE

NOTES:

1. INTERCHANGE ANY TWO LINE LEADS TO REVERSE ROTATION.
2. OPTIONAL THERMOSTATS ARE PROVIDED WHEN SPECIFIED.
3. ACTUAL NUMBER OF INTERNAL PARALLEL CIRCUITS MAY BE A MULTIPLE OF THOSE SHOWN ABOVE.
4. LEAD COLORS ARE OPTIONAL. LEADS MUST ALWAYS BE NUMBERED AS SHOWN.

REV. DESC: REVISE TO SHOW OPTIONAL COLORS

REV. LTR: E BY: JLP

REVISED: 01/19/99 10:15

TDR: 0171435

90000

FILE: AAA00005140

MDL: -

MTL: -

**BALDOR ELECTRIC Co.**

3PH, DV, 9 LEADS

CD0005

Marketing maintained PDF of MN416:

<http://www.baldor.com/support/Literature/Load.ashx/MN416?ManNumber=MN416>