

BALDOR® • RELIANCE 

Product Information Packet

ECS100T4H3EF4

3HP,1800RPM,3PH,60HZ,182T,TEFC,TOP

Part Detail							
Revision:	K	Status:	PRD/A	Change #:		Proprietary:	No
Type:	AC	Elec. Spec:	36WGL109	CD Diagram:	CD0006	Mfg Plant:	
Mech. Spec:	36T258	Layout:	36LYT258	Poles:	04	Created Date:	12-12-2019
Base:	RG	Eff. Date:	10-25-2022	Leads:	3#16		

Specs			
Catalog Number:	ECS100T4H3EF4	IP Rating:	NONE
Enclosure:	TEFC	Lifting Lugs:	Standard Lifting Lugs
Frame:	182T	Locked Bearing Indicator:	Locked Bearing
Frame Material:	Steel	Motor Lead Quantity/Wire Size:	3 @ 16 AWG
Motor Letter Type:	Brushless Wound Field PM Rotor	Motor Lead Termination:	Flying Leads
XP Class and Group:	None	Motor Type:	3624B
XP Division:	Not Applicable	Mounting Arrangement:	F1
Agency Approvals:	UL	Product Family:	General Purpose
	WEEE	Pulley Face Code:	Standard
Auxillary Box:	No Auxillary Box	Rodent Screen:	None
Auxillary Box Lead Termination:	None	RoHS Status:	ROHS COMPLIANT
Base Indicator:	Rigid	Shaft Ground Indicator:	Shaft Grounding
Bearing Grease Type:	Polyrex EM (-20F +300F)	Shaft Rotation:	Reversible
Blower:	None	Speed Code:	Single Speed
Constant Torque Speed Range:	6	Motor Standards:	NEMA
Design Code:	B	Starting Method:	INVERTER SPECIAL
Drip Cover:	No Drip Cover	Thermal Device - Bearing:	None
Electrically Isolated Bearing:	Not Electrically Isolated	Thermal Device - Winding:	None

Feedback Device:	NO FEEDBACK	Vibration Sensor Indicator:	No Vibration Sensor
Heater Indicator:	No Heater	Winding Thermal 1:	None
Inverter Code:	Inverter Duty	Winding Thermal 2:	None

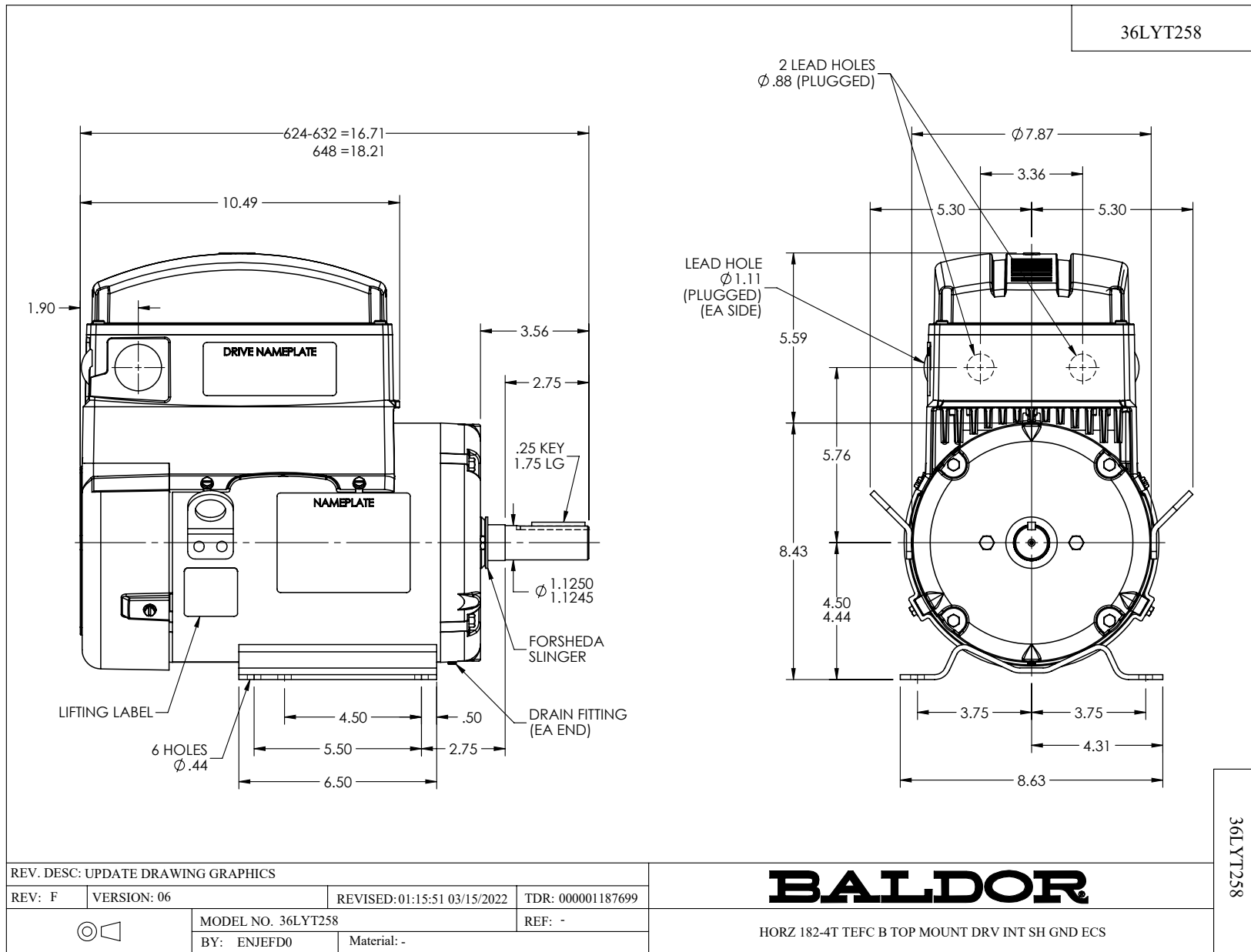
Nameplate NP3968A01A01	
CAT.NO.	ECS100T4H3EF4
SPEC.	36T258L109G1
FRAME	182T
HP	3
NOM. EFF.	92.8%
VOLTS	460
RPM	1800
HZ	60
BEMF (V)	212
LD (MH)	57.7
VPWM	CHP 60
CT	6
MATCHED INV	ECI4A4P1
DE	6206
SERIAL #	
	ENCL. TEFC
	IP 54
	C AMB
	CONT
	PF 96.6%
	SF 1.0
	FLA 3.7
	RPM-MAX 4000
	PH. 3
	CLASS F
	RS (OHMS) 3.88
	LQ (MH) 217.7
	TO 133
	VT 1
	TO 60
	ODE 6205

Nameplate NP3978A01			
PART NO.	ECI4A4P1		
U1	480	PH 3	HZ 60
I1	4.7	W/EXT. CHOKE 3.8	
SERIAL #			

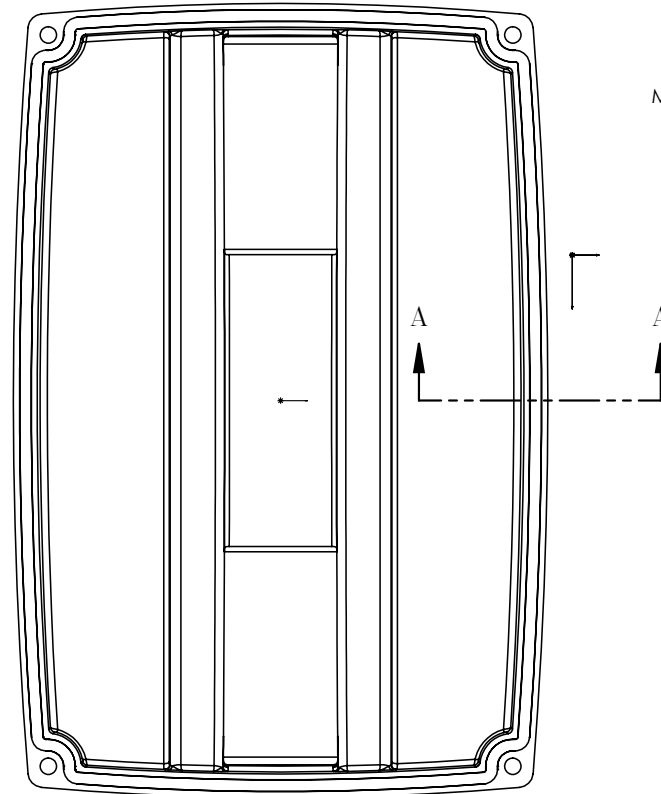
Parts List		
Part Number	Description	Quantity
SA376990	SA 36T258L109G1	1.000 EA
RA366919	RA 36T258L109G1	1.000 EA
ECI4A4P1SP	380-480V, 2.0HP, 4.1A, NO BK CHOP, RTC,	1.000 EA
36EP3104B46	CUSTOM ODE, 205 BRG, #26 DRAIN,	1.000 EA
HA4067A01	PUSH IN DRAIN FITTING (BLACK)	1.000 EA
HW5100A05	WVY WSHR F/205 & 304 BRGS	1.000 EA
36EP3100A42	PU EP, LOCKED 206 BRG, NO GRS	1.000 EA
HA4067A01	PUSH IN DRAIN FITTING (BLACK)	1.000 EA
10XN2520A20	1/4-20X 1 1/4 HEX HD X	2.000 EA
HW1001A25	LOCKWASHER 1/4, ZINC PLT .493 OD, .255 I	2.000 EA
XY2520A12	1/4-20 HEX NUT, DIRECTIONAL SERRATIONS	4.000 EA
51XB1214A16	12-14X1.00 HXWSSLD SERTYB	1.000 EA
36FH3006	36 FRAME TOP ECM FAN HOUSING	1.000 EA
51XW1032A06	10-32 X .38, TAPTITE II, HEX WSHR SLTD S	2.000 EA
HS0054A00	36 FRAME TOP ECM HEATSINK MACHINING	1.000 EA
GS0024	ECM GASKET,36 TOP MOUNT,HEATSINK TO FRAM	1.000 EA
WD4100A30	HEYCO #3833 RUBBER PLUG KOS-LT - 1/2	2.000 EA
WD4100A66	HEYCO #3835 KNOCKOUT PLUG(KOS-LT 3/4) BL	2.000 EA
51XB1016A07	10-16 X 7/16 HXWSSLD SERTYB	4.000 EA
36CB3501A00	36&37 FRAME TOP ECM PLASTIC COVER WITH F	1.000 EA
15XN1032A10	SCREW PAN HD 10-32 X .625 (PHILLIPS)	4.000 EA
MJ5002A02	NON-CORROSIVE SILICONE, DOW 748, 10.3 OZ	0.001 EA
HW4600B36SP	V-RING SLINGER 1.188 X 1.690 X .24 VITON	1.000 EA
HW2501E16	KEY, 1/4 SQ X 1.750	1.000 EA

Parts List (continued)		
Part Number	Description	Quantity
HA7000A02	KEY RETAINER RING, 1 1/8 DIA, 1 3/8 DIA	1.000 EA
LB1602	LABEL, LIFTING DEVICE REQUIRING SPREADER	1.000 EA
MJ1000A02	GREASE, POLYREX EM EXXON	0.050 LB
36FN3000A01SP	EXFN, PLASTIC, 7.00 OD, .912 ID	1.000 EA
51XB1214A16	12-14X1.00 HXWSSLD SERTYB	1.000 EA
HA3101A25	THRUBOLT 1/4-20 X 11.000 OHIO ROD	4.000 EA
15XN0832A12	SCREW, 8/32 X 3/4" PAN HDPHIL, MS	3.000 EA
MG1000G27	MED CHARCOAL METALLIC GREY 400-0096	0.022 GA
NP3968A01A01	NP LABEL WEE, SH GND, C-UL-US, QR, ECS	1.000 EA
NP3978A01	MYLAR BALDOR-RELIANCE SYNC IPM DRIVE 4.3	1.000 EA
07PA1005	PKG GRP, PRINT PK1156A06	1.000 EA
MN451	EC Titanium Quick Start 04/20	1.000 EA
FE-0000001	ZRTG FE ASSEMBLY	1.000 EA

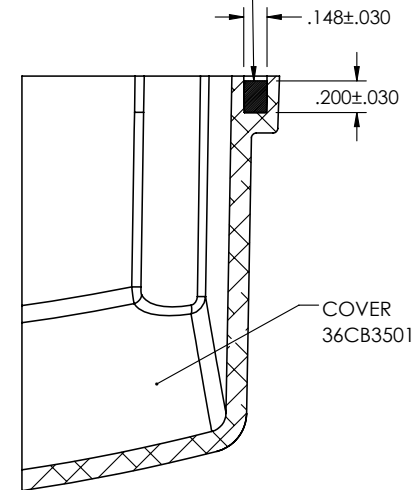
No performance data has been
assigned to this product.



36CB3501A00



MATERIAL: RAMPF, RAKU-PUR 32-3280-51L



SECTION A-A

36CB3501A00

REV. DESC: UPDATE MATERIAL

REV: A	VERSION: 01	REVISED: 10:46:37 03/29/2019	TDR: 000001101646
--------	-------------	------------------------------	-------------------



MODEL NO. 36CB3501A00

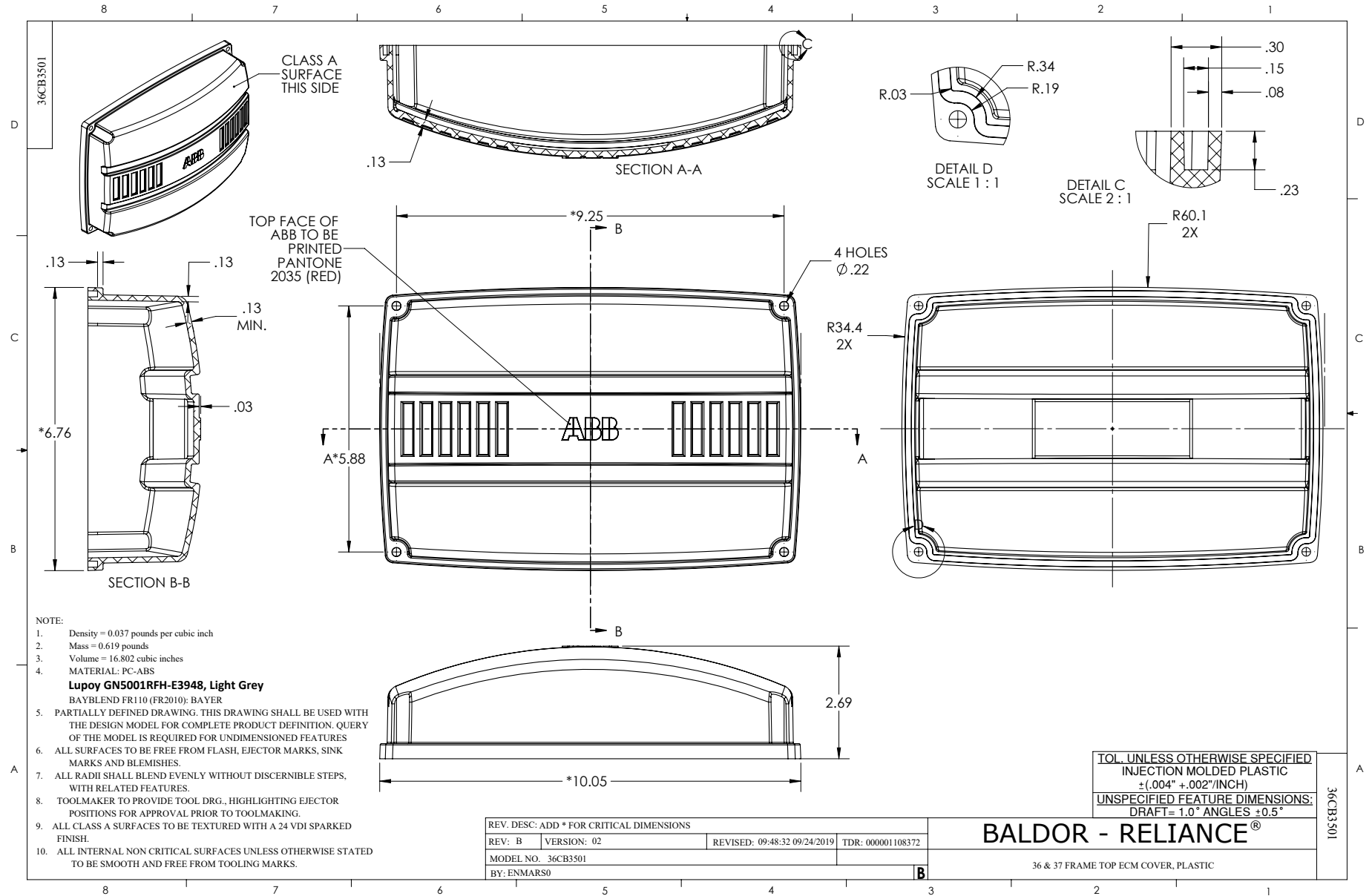
REF: -

BY: ENMARS0

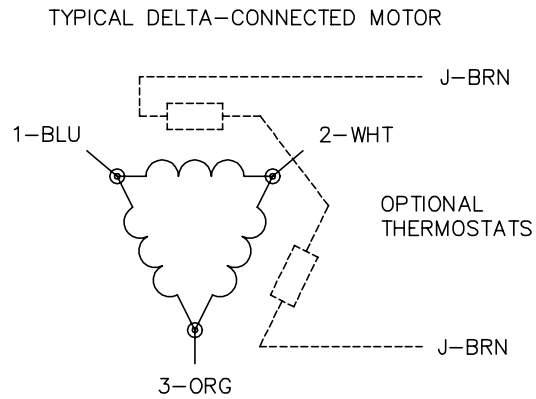
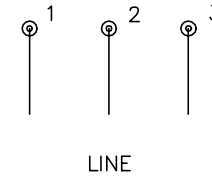
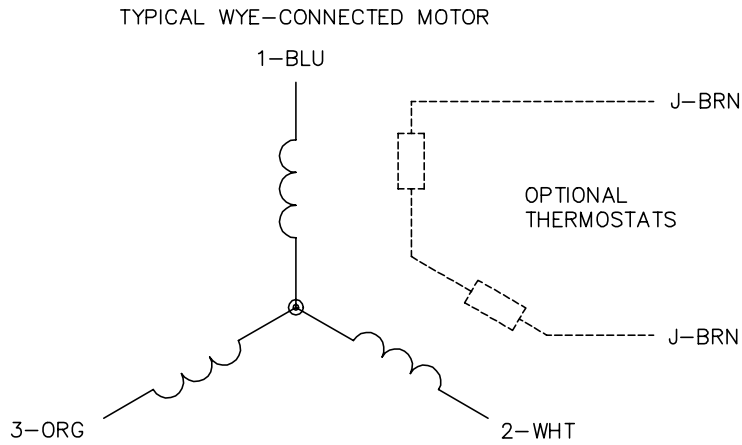
Material: -

BALDOR - RELIANCE®

36 & 37 FRAME TOP ECM COVER WITH FOAM SEAL



CD0006



NOTES:

1. THREE LEAD MOTOR MAY BE EITHER WYE CONNECTED OR DELTA CONNECTED.
2. INTERCHANGE ANY TWO LINE LEADS TO REVERSE ROTATION.
3. OPTIONAL THERMOSTATS ARE PROVIDED WHEN SPECIFIED.
4. ACTUAL NUMBER OF INTERNAL PARALLEL CIRCUITS MAY VARY.
5. LEAD COLORS ARE OPTIONAL. LEADS MUST BE NUMBERED AS SHOWN.

CD0006

REV. DESC: ADD CLASS CONN00000007		
REV. LTR: E	VERSION: 01	TDR: 000001099922
FILE: \AAA\00005\141	REVISED: 10:24:49 02/19/2019	BY: ENBRIRO
MTL: -		

BALDOR - RELIANCE®

3PH, SV, 3 LEADS, WYE OR DELTA CONNECTED

SH 1 of 1