



---

# Customer information packet

## EM4108T-8

30HP, 3520RPM, 3PH, 60HZ, 286TS, 0948M, TEFC, F

Class - None

Division - Not Applicable

## Specifications

Enclosure	TEFC
Frame	286TS
Frame Material	Iron
Frequency	60.00 Hz
Motor Letter Type	Three Phase
Output @ Frequency	30.000 HP @ 60 HZ
Phase	3
Synchronous Speed @ Frequency	3600 RPM @ 60 HZ
Voltage @ Frequency	200.0 V @ 60 HZ
XP Class and Group	None
XP Division	Not Applicable
Agency Approvals	UR CSA CSA EEV
Ambient Temperature	40 °C
Auxillary Box	No Auxillary Box
Auxillary Box Lead Termination	None
Base Indicator	Rigid
Bearing Grease Type	Polyrex EM (-20F +300F)
Blower	None
Current @ Voltage	76.000 A @ 200.0 V
Design Code	A
Drip Cover	No Drip Cover
Duty Rating	CONT
Efficiency @ 100% Load	91.7 %
Electrically Isolated Bearing	Not Electrically Isolated
Feedback Device	NO FEEDBACK
Front Face Code	Standard
Front Shaft Indicator	None
Heater Indicator	No Heater
High Voltage Full Load Amps	76.0 a
Insulation Class	F

## Part detail

Revision	U
Type	AC
Mech. spec.	09F629
Base	
Status	PRD/A
Elec. spec.	09WGZ594
Layout	09LYF629
Eff. date	02-25-2022
CD Diagram	CD0695
Poles	02
Leads	6#6
Proprietary	False
Created date	04-27-2010

<b>Inverter Code</b>	Inverter Ready
<b>KVA Code</b>	H
<b>Lifting Lugs</b>	Standard Lifting Lugs
<b>Locked Bearing Indicator</b>	Locked Bearing
<b>Motor Lead Exit</b>	Ko Box
<b>Motor Lead Quantity/Wire Size</b>	6 @ 6 AWG
<b>Motor Lead Termination</b>	Flying Leads
<b>Motor Standards</b>	NEMA
<b>Motor Type</b>	0948M
<b>Mounting Arrangement</b>	F1
<b>Number of Poles</b>	2
<b>Overall Length</b>	24.70 IN
<b>Power Factor</b>	91
<b>Product Family</b>	General Purpose
<b>Pulley End Bearing Type</b>	Ball
<b>Pulley Face Code</b>	Standard
<b>Pulley Shaft Indicator</b>	Standard
<b>Rodent Screen</b>	None
<b>Service Factor</b>	1.15
<b>Shaft Diameter</b>	1.625 IN
<b>Shaft Extension Location</b>	Pulley End
<b>Shaft Ground Indicator</b>	No Shaft Grounding
<b>Shaft Rotation</b>	Reversible
<b>Shaft Slinger Indicator</b>	Shaft Slinger
<b>Speed</b>	3520 rpm
<b>Speed Code</b>	Single Speed
<b>Starting Method</b>	Part Winding
<b>Thermal Device - Bearing</b>	None
<b>Thermal Device - Winding</b>	None
<b>Vibration Sensor Indicator</b>	No Vibration Sensor
<b>Winding Thermal 1</b>	None
<b>Winding Thermal 2</b>	None

**Nameplate**

**NP3443L**

<b>CAT.NO.</b>	EM4108T-8	<b>CUST. P/N</b>				<b>ENCL</b>	<b>TEFC</b>
<b>SPEC.</b>	09F629Z594G1	<b>CC</b>	010A	<b>FRAME</b>	286TS	<b>SER.NO.</b>	
<b>HP</b>	30	<b>CLASS</b>	F	<b>HZ</b>	60		
<b>R.P.M.</b>	3520	<b>PH</b>	3	<b>DES</b>	A		
<b>VOLTS</b>	200	<b>CODE</b>	H	<b>ODE BRG</b>	6208	<b>DE BRG</b>	6311
<b>AMPS</b>	76	<b>USABLE AT 208V</b>					
<b>RATING</b>	40C AMB-CONT	<b>NEMA NOM. EFF.</b>	91.7	<b>GREASE</b>	POLYREX EM		
<b>P.F.</b>	91	<b>SER.F.</b>	1.15	<b>VPWM INVERTER READY</b>			
<b>HTR-VOLTS</b>		<b>HTR-AMPS</b>		<b>HTR-WATTS</b>			

## Parts list

Part number	Description	Quantity
SA194172	SA 09F629Z594G1	1.000 ea
RA181762	RA 09F629Z594G1	1.000 ea
37FN3002C02	EXFN, PLASTIC, 6.00 OD, 1.503 ID	1.000 ea
HW1002A63	WASHER, 5/8 HI-COLLAR SPRLCKWASHER	1.000 ea
10CB3000SP	KOBX, CAST W/2.00 LEAD HOLE	1.000 ea
09GS1000	GASKET-CONDUIT BOX, 1/16 THICK LEXIDE	1.000 ea
10XN3118K12	5/16-18 X .75 GRADE 5, ZINC PLATED	4.000 ea
09EP1100A14	FREP ASSM, (FOR INTRL ROUTING PURPOSE)	1.000 ea
HA3400A33	STUD- 3/8-16 X 4.96 HEX	4.000 ea
XY3816A12	3/8-16 FINISHED NUT	4.000 ea
HW1001A38	LOCKWASHER 3/8, ZINC PLT .688 OD, .382 I	4.000 ea
HW1001A38	LOCKWASHER 3/8, ZINC PLT .688 OD, .382 I	4.000 ea
HW5100A08	W3118-035 WVY WSHR (WB)	1.000 ea
10XN2520K28	1/4-20 X 1.75" HX HD SCRWGRADE 5, ZINC P	2.000 ea
HW1001A25	LOCKWASHER 1/4, ZINC PLT .493 OD, .255 I	2.000 ea
10XN3118K40	5/16-18 X 2.50" HEX HD, GRADE 5	4.000 ea
HW1001A31	LOCKWASHER 5/16, ZINC PLT.591 OD, .319 I	4.000 ea
WD1000B25	GND LUG, BURNDY L125HP OR T&B L125HP-BB	1.000 ea
19XW3118G08	.31-18X.50,HEX WSHR HD,TAPTITE 2,GREEN	1.000 ea
HW1001A31	LOCKWASHER 5/16, ZINC PLT.591 OD, .319 I	4.000 ea
09EP1116A01	PU ENDPLATE, MACH	1.000 ea
10XN3816K32	BOLT, 3/8-16X2 HH YZ(5)	4.000 ea
09FH4000SP	309 FH - BLACK PRIMER	1.000 ea
HW1001A38	LOCKWASHER 3/8, ZINC PLT .688 OD, .382 I	4.000 ea
10CB3500SP	CONDUIT BOX LID, CAST	1.000 ea
10GS1000	GASKET, CONDUIT BOX LID	1.000 ea
51XW2520A12	.25-20 X .75, TAPTITE II, HEX WSHR SLTD	4.000 ea
HW4600B40	V-RING SLINGER 2.000 X 2.680 X .28 VITON	1.000 ea
HW2501G17	KEY, 3/8 SQ X 1.875	1.000 ea
LB1115N	LABEL,LIFTING DEVICE (ON ROLLS)	1.000 ea
HW4500A05	1669B ALEM/UNIV860 GR FTG X	1.000 ea

HW4500A17	317400 ALEMITE GREASE RELIEF	1.000 ea
MN416A01	TAG-INSTAL-MAINT no wire (2100bx)4/22	1.000 ea
LD7020G06	LEAD SET, 6AWG, 6 LEAD, 20" LONG LEADS	1.000 ea
HA4054	SHORT T-DRAIN FITTING, .125" N.P.T.	1.000 ea
HA4051A00	PLASTIC CAP FOR GREASE FITTING	1.000 ea
MJ1000A02	GREASE, POLYREX EM EXXON	0.080 lb
HW4500A03	GREASE FITTING, .125 NPT 1610(ALEMITE) 8	1.000 ea
HW4500A17	317400 ALEMITE GREASE RELIEF	1.000 ea
HA4054	SHORT T-DRAIN FITTING, .125" N.P.T.	1.000 ea
HA4051A00	PLASTIC CAP FOR GREASE FITTING	1.000 ea
HW2500A25	WOODRUFF KEY USA #1008 #BLOW CARBON STEE	1.000 ea
MG1000Y03	MUNSELL 2.53Y 6.70/ 4.60, GLOSS 20,	0.050 ga
85XU0407S04	4X1/4 U DRIVE PIN STAINLESS	4.000 ea
LB1119N	WARNING LABEL	1.000 ea
LC0695	CONNECTION LABEL	1.000 ea
NP3443L	SS SUPER-E UL CSA-EEV PREM CC	1.000 ea
40PA1005	PACKAGING GROUP, 09 STD	1.000 ea

**Accessories**

<b>Part number</b>	<b>Description</b>	<b>Multiplier</b>
09-1310	C FACE KIT	A8

**AC Induction Motor Performance Data**

Record # 31027

Typical performance - not guaranteed values

Winding: 09WGW594-R001		Type: 0948M		Enclosure: TEFC			
<b>Nameplate Data</b>			<b>200 V, 60 Hz: Single Voltage Motor</b>				
Rated Output (HP)	30	Full Load Torque	44.7 LB-FT				
Volts	200	Start Configuration	direct on line				
Full Load Amps	76	Breakdown Torque	162 LB-FT				
R.P.M.	3520	Pull-up Torque	76.6 LB-FT				
Hz	60 Phase	3	Locked-rotor Torque	88.1 LB-FT			
NEMA Design Code	A	KVA Code	H	Starting Current	600 A		
Service Factor (S.F.)	1.15	No-load Current	22 A				
NEMA Nom. Eff.	91.7	Power Factor	91	Line-line Res. @ 25°C	0.0511 Ω		
Rating - Duty	40C AMB-CONT		Temp. Rise @ Rated Load	80°C			
S.F. Amps			Temp. Rise @ S.F. Load	99°C			
			Locked-rotor Power Factor	28			
			Rotor inertia	1.23 LB-FT <sup>2</sup>			

**Load Characteristics 200 V, 60 Hz, 30 HP**

% of Rated Load	25	50	75	100	125	150	S.F.
Power Factor	60	80	87	91	90	91	90
Efficiency	90	93.2	93	92.7	92	90.5	92.3
Speed	3582	3563	3542	3519	3496	3468	3505
Line amperes	30.4	43.9	60	76.5	96.5	116	88.5



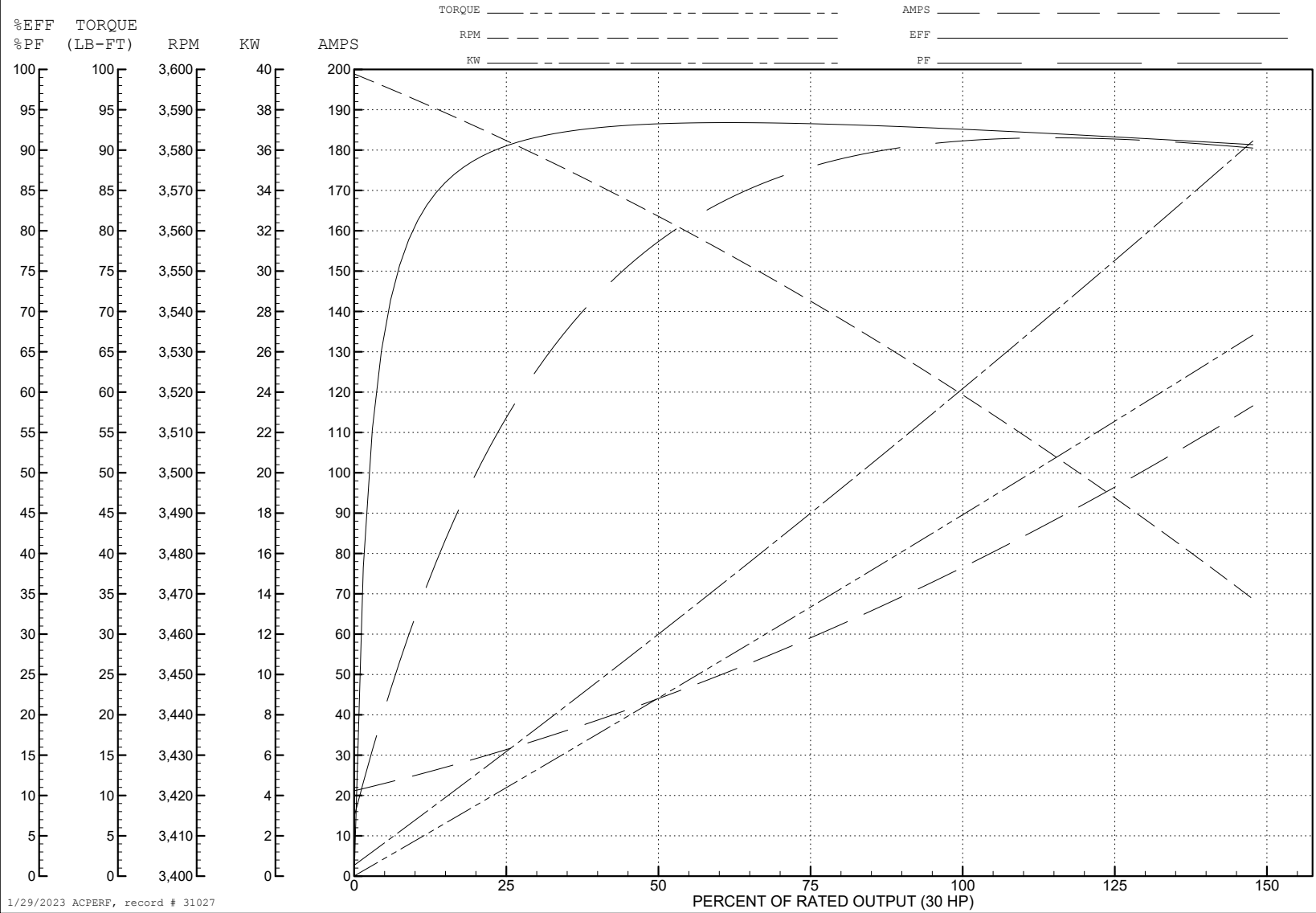
ABB Motors and Mechanical Inc.

WINDING # 09WGZ594

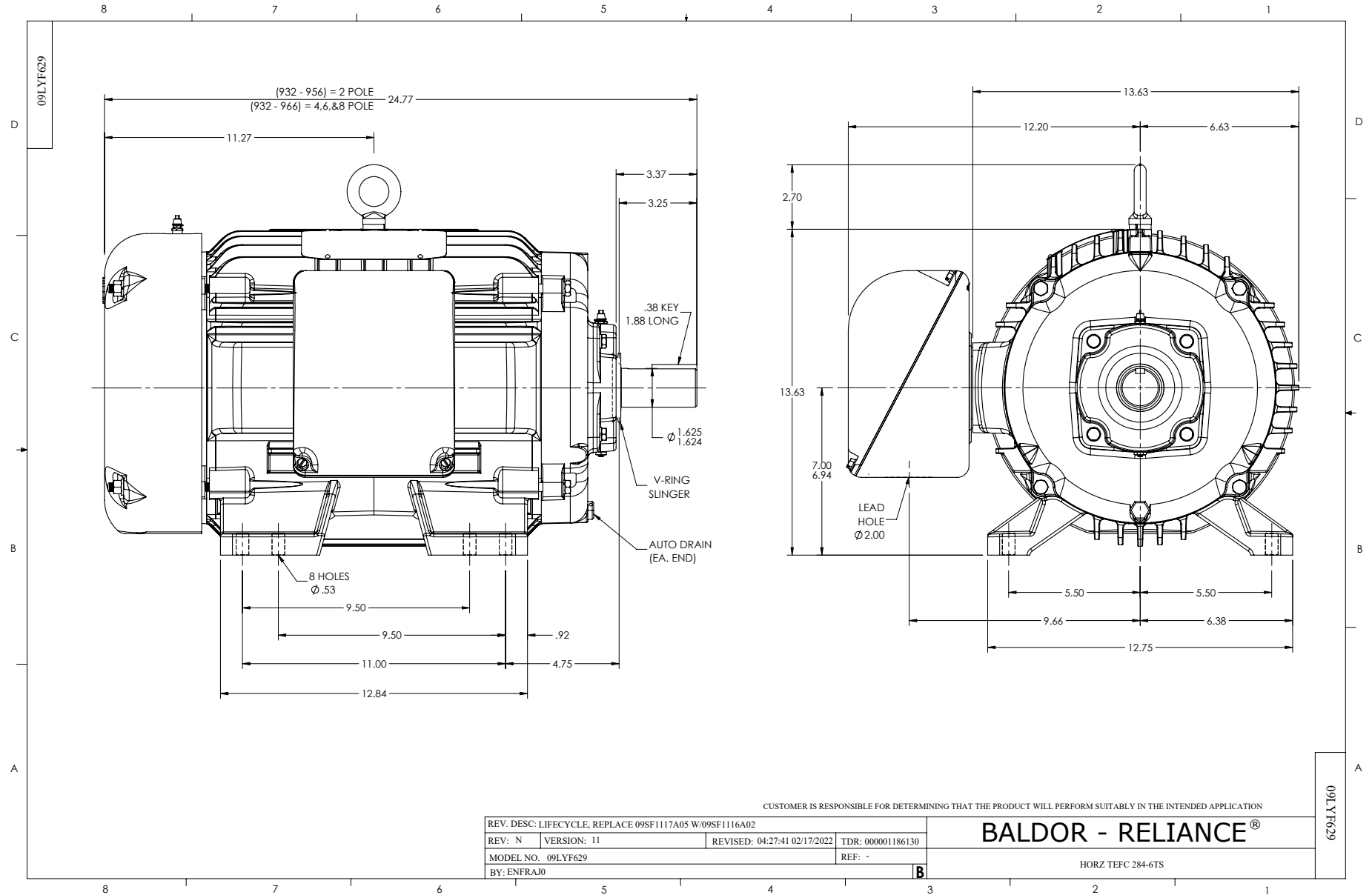
30 HP 3 PH 60 HZ 3520 RPM 200 V 0948M

Typical performance - not guaranteed values.

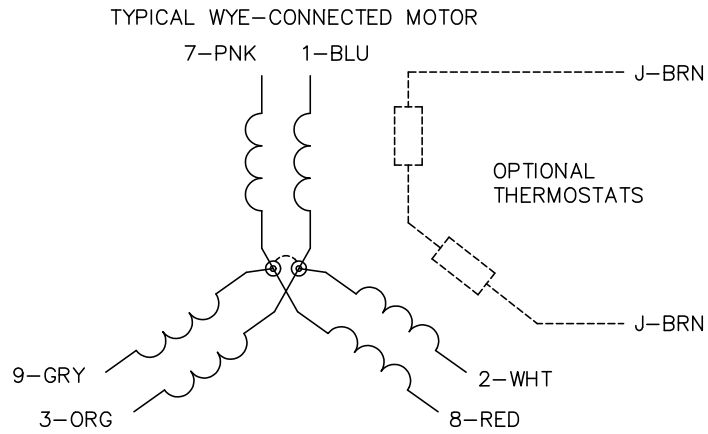
TORQUES (LB-FT): PO=162 PU=76.6 LR=88.1 LRA=600



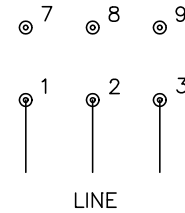
1/29/2023 ACPERF, record # 31027



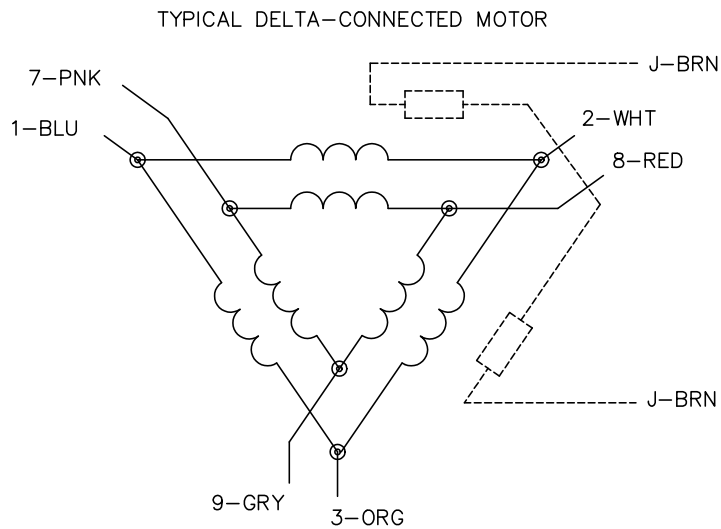
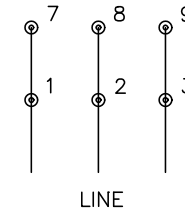
CD0695



START CONNECTION



RUN CONNECTION



NOTES:

1. MOTOR MAY BE WYE CONNECTED OR DELTA CONNECTED.
2. INTERCHANGE ANY TWO LINE LEADS TO REVERSE ROTATION.
3. OPTIONAL THERMOSTATS ARE PROVIDED WHEN SPECIFIED.
4. ACTUAL NUMBER OF INTERNAL PARALLEL CIRCUITS MAY VARY.
5. LEAD COLORS ARE OPTIONAL. LEADS MUST ALWAYS BE NUMBERED AS SHOWN.

CD0695

REV. DESC: REVISE TO SHOW OPTIONAL COLORS			
REV. LTR: C	BY: JLP	REVISED: 01/21/99 3:19	TDR: 0171435
S69000		FILE: AAA00005151	MDL: -
		MTL: -	

**BALDOR ELECTRIC Co.**

3PH, SV, 6 LEADS, PART WINDING START