



Customer information packet

EM4117T

30HP, 1180RPM, 3PH, 60HZ, 326T, 1264M, TEFC, F1

Class - None

Division - Not Applicable

Specifications

Enclosure	TEFC
Frame	326T
Frame Material	Iron
Frequency	60.00 Hz
Motor Letter Type	Three Phase
Output @ Frequency	30.000 HP @ 60 HZ
Phase	3
Synchronous Speed @ Frequency	1200 RPM @ 60 HZ
Voltage @ Frequency	230.0 V @ 60 HZ 460.0 V @ 60 HZ
XP Class and Group	None
XP Division	Not Applicable
Agency Approvals	CSA EEV CSA UR
Ambient Temperature	40 °C
Auxillary Box	No Auxillary Box
Auxillary Box Lead Termination	None
Base Indicator	Rigid
Bearing Grease Type	Polyrex EM (-20F +300F)
Blower	None
Current @ Voltage	39.000 A @ 460.0 V 78.000 A @ 230.0 V
Design Code	A
Drip Cover	No Drip Cover
Duty Rating	CONT
Efficiency @ 100% Load	93.0 %
Electrically Isolated Bearing	Not Electrically Isolated
Feedback Device	NO FEEDBACK
Front Face Code	Standard
Front Shaft Indicator	None
Heater Indicator	No Heater

Part detail

Revision	N
Type	AC
Mech. spec.	12C51
Base	
Status	PRD/A
Elec. spec.	12WGY812
Layout	12LYC051
Eff. date	02-16-2022
CD Diagram	CD0005
Poles	06
Leads	9#8
Proprietary	False
Created date	07-25-2014

High Voltage Full Load Amps	39.0 a
Insulation Class	F
Inverter Code	Inverter Duty
KVA Code	H
Lifting Lugs	Standard Lifting Lugs
Locked Bearing Indicator	Locked Bearing
Motor Lead Exit	Ko Box
Motor Lead Quantity/Wire Size	9 @ 8 AWG
Motor Lead Termination	Flying Leads
Motor Standards	NEMA
Motor Type	1264M
Mounting Arrangement	F1
Number of Poles	6
Overall Length	30.28 IN
Power Factor	78
Product Family	General Purpose
Pulley End Bearing Type	Ball
Pulley Face Code	Standard
Pulley Shaft Indicator	Standard
Rodent Screen	None
RoHS Status	ROHS NON-COMPLIANT
Service Factor	1.15
Shaft Diameter	2.125 IN
Shaft Extension Location	Pulley End
Shaft Ground Indicator	No Shaft Grounding
Shaft Rotation	Reversible
Shaft Slinger Indicator	Shaft Slinger
Speed	1180 rpm
Speed Code	Single Speed
Starting Method	Direct on line
Thermal Device - Bearing	NONE (OLD)
Thermal Device - Winding	None
Vibration Sensor Indicator	No Vibration Sensor
Winding Thermal 1	None

Winding Thermal 2

None

Nameplate

NP3443LUA									
CAT.NO.	EM4117T			CUST. P/N				ENCL	TEFC
SPEC.	12C051Y812G1	CC	010A	FRAME	326T	SER.NO.			
HP	30	CLASS		F	HZ	60			
R.P.M.	1180	PH.	3	DES.		A			
VOLTS	230/460			CODE	H	ODE BRG	6311	DE BRG	6312
AMPS	78/39			USABLE AT 208V		82			
RATING	40C AMB-CONT			NEMA NOM. EFF.		93	GREASE	POLYREX EM	
P.F.	78	SER.F.	1.15	CT6-60H(10:1)VT3-60H(20:1)					
USABLE AT	50Hz 30HP 190/380V 92/46A			SF1.0					
VOLTS	AMPS	MAX. SPACE HEATER TEMP.							

Parts list

Part number	Description	Quantity
SA284509	SA 12C051Y812G1	1.000 ea
RA270778	RA 12C051Y812G1	1.000 ea
09FN3001B03SP	EXTERNAL FAN, PLASTIC (COMES W/SCREW FRO	1.000 ea
10CB3001	CONDUIT BOX CAST W/2.500 LEAD HOLE	1.000 ea
09GS1000	GASKET-CONDUIT BOX, 1/16 THICK LEXIDE	1.000 ea
10XN3118K12	5/16-18 X .75 GRADE 5, ZINC PLATED	4.000 ea
HW1001A31	LOCKWASHER 5/16, ZINC PLT.591 OD, .319 I	4.000 ea
WD1000B25	GND LUG, BURNDY L125HP OR T&B L125HP-BB	1.000 ea
19XW3118G08	.31-18X.50,HEX WSHR HD,TAPTITE 2,GREEN	1.000 ea
HA3400A13	STUD, 1/2-13 X 7" WELKER	4.000 ea
HW1001A50	LOCKWASHER 1/2, ZINC PLT,.879 OD, .509 I	4.000 ea
HW5100A13	W4627-047 WVY WSHR	1.000 ea
10XN3118K40	5/16-18 X 2.25" HEX HD, GRADE 5	2.000 ea
HW1001A31	LOCKWASHER 5/16, ZINC PLT.591 OD, .319 I	2.000 ea
12EP1106A01	PU ENDPLATE, MACH	1.000 ea
HW4600B41	V-RING SLINGER 2.125 X 2.880 X 0.280	1.000 ea
10XN5013K28	1/2-13 X 1.75 HEX HEAD MACH SCREW,GRAD	4.000 ea
HW1001A50	LOCKWASHER 1/2, ZINC PLT,.879 OD, .509 I	4.000 ea
10XN3118K40	5/16-18 X 2.50" HEX HD, GRADE 5	4.000 ea
HW1001A31	LOCKWASHER 5/16, ZINC PLT.591 OD, .319 I	4.000 ea
12FH1002SP	FAN COVER, CAST	1.000 ea
HW1001A50	LOCKWASHER 1/2, ZINC PLT,.879 OD, .509 I	4.000 ea
XY5013A12	NUT,1/2-13,HEX,STEEL,ZINCPLATED	4.000 ea
10CB3500SP	CONDUIT BOX LID, CAST	1.000 ea
10GS1000	GASKET, CONDUIT BOX LID	1.000 ea
51XW2520A12	.25-20 X .75, TAPTITE II, HEX WSHR SLTD	4.000 ea
HW2501H33	KEY, 1/2 SQ X 3.875	1.000 ea
LB1115N	LABEL,LIFTING DEVICE (ON ROLLS)	1.000 ea
12EP1107A05	FR ENDPLATE, MACH	1.000 ea
HW4500A21	1618BALEMITE FITTING 825 UNIVERSAL	1.000 ea
HA4017A01	1/8 X 4 GREASE EXT (F/S)	1.000 ea

HW4500A17	317400 ALEMITE GREASE RELIEF	1.000 ea
HA4054	SHORT T-DRAIN FITTING, .125" N.P.T.	1.000 ea
HA4051A00	PLASTIC CAP FOR GREASE FITTING	1.000 ea
MJ1000A02	GREASE, POLYREX EM EXXON	0.200 lb
HW4500A03	GREASE FITTING, .125 NPT 1610(ALEMITE) 8	1.000 ea
HW4500A17	317400 ALEMITE GREASE RELIEF	1.000 ea
HA4054	SHORT T-DRAIN FITTING, .125" N.P.T.	1.000 ea
HA4051A00	PLASTIC CAP FOR GREASE FITTING	1.000 ea
HW2500A25	WOODRUFF KEY USA #1008 #BLOW CARBON STEE	1.000 ea
51XB1214A20	12-14X1.25 HXWSSLD SERTYB	1.000 ea
MG1000Y03	MUNSELL 2.53Y 6.70/ 4.60, GLOSS 20,	0.080 ga
85XU0407S04	4X1/4 U DRIVE PIN STAINLESS	4.000 ea
LC0005E01	SPL CONN.DIA./WARN.LABEL(LC0005/LB1119)	1.000 ea
NP3443LUA	SS SUPER-E UL CSA-EEV PREM CC	1.000 ea
12PA1000	PACKAGING GROUP PRINT PK1024A07	1.000 ea
MN416A01	TAG-INSTAL-MAINT no wire (2100bx)4/22	1.000 ea
PE-0000013	ZRTG PE ASSEMBLY	1.000 ea
FE-0000022	ZRTG FE ASSEMBLY	1.000 ea

Accessories

Part number	Description	Multiplier
12-1105	C FACE KIT	A8
12EP1501A03SP	D-FLANGE KIT	A8

AC Induction Motor Performance Data

Record # 47164

Typical performance - not guaranteed values

Winding: 12WGY812-R001		Type: 1264M		Enclosure: TEFC	
Nameplate Data			460 V, 60 Hz: High Voltage Connection		
Rated Output (HP)	30		Full Load Torque	133 LB-FT	
Volts	230/460		Start Configuration	direct on line	
Full Load Amps	78/39		Breakdown Torque	370 LB-FT	
R.P.M.	1180		Pull-up Torque	179 LB-FT	
Hz	60 Phase	3	Locked-rotor Torque	217 LB-FT	
NEMA Design Code	A KVA Code	H	Starting Current	245 A	
Service Factor (S.F.)	1.15		No-load Current	17.2 A	
NEMA Nom. Eff.	93 Power Factor	78	Line-line Res. @ 25°C	0.22799 Ω	
Rating - Duty	40C AMB-CONT		Temp. Rise @ Rated Load	56°C	
S.F. Amps			Temp. Rise @ S.F. Load	68°C	

Load Characteristics 460 V, 60 Hz, 30 HP

% of Rated Load	25	50	75	100	125	150	S.F.
Power Factor	42	63	73	78	80	80	79
Efficiency	89	92.7	93.4	93.1	92.4	91.4	92.7
Speed	1196.5	1191.9	1188.3	1183.2	1178.2	1171.8	1180
Line amperes	19.2	24.1	31	38.7	47.5	57.3	44

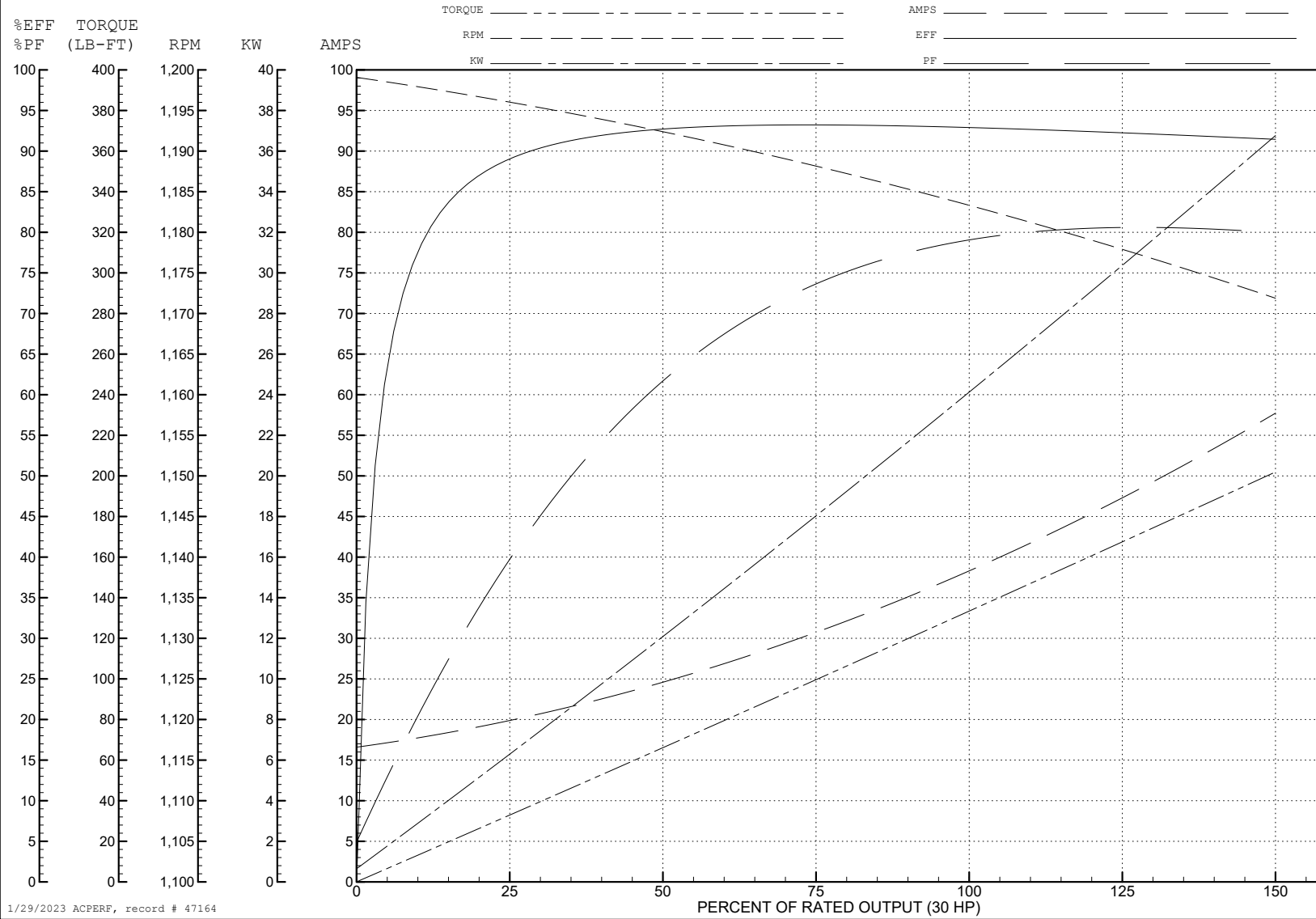
ABB Motors and Mechanical Inc.

WINDING # 12WGY812

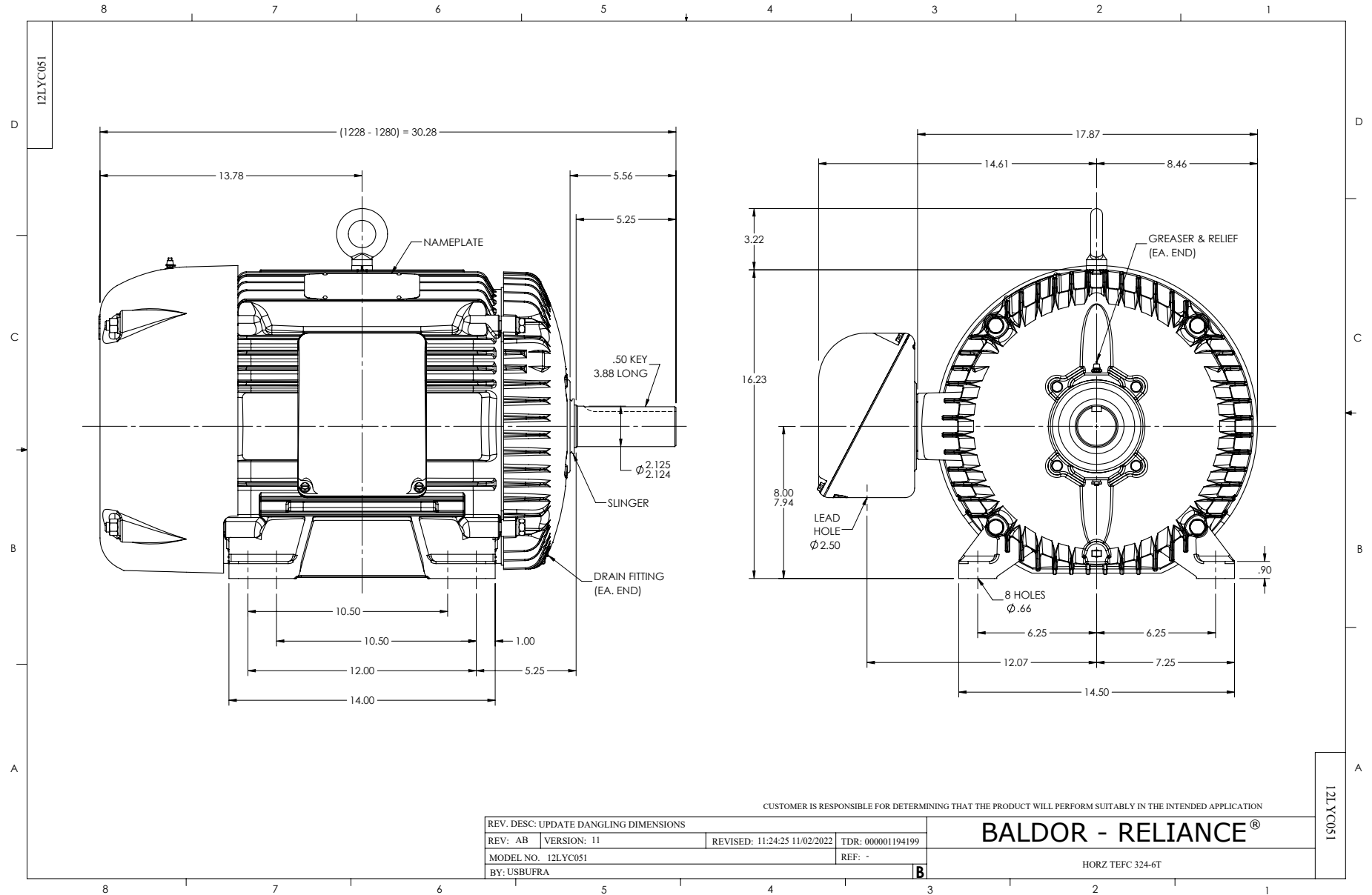
30 HP 3 PH 60 HZ 1180 RPM 460 V 1264M

Typical performance - not guaranteed values.

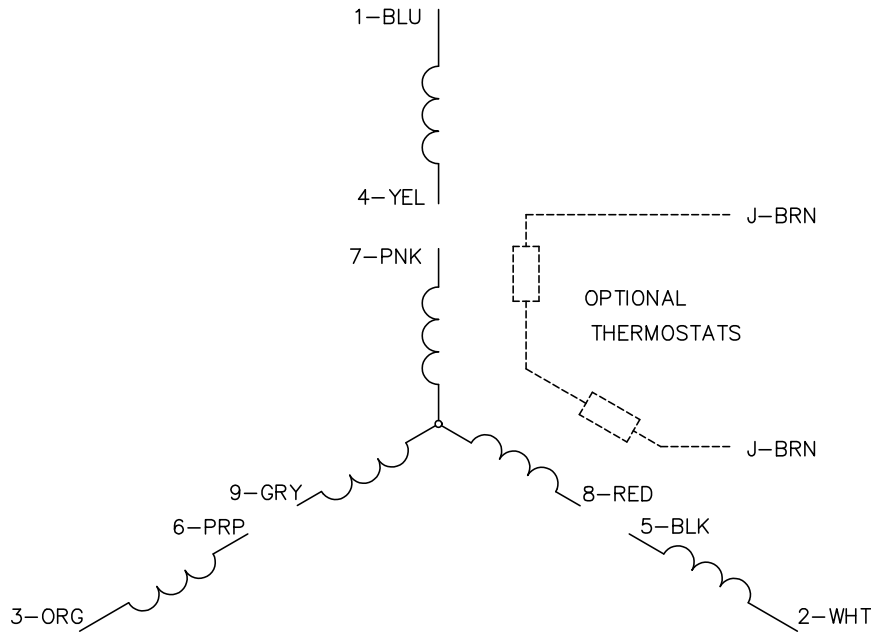
TORQUES (LB-FT): PO=370 PU=179 LR=217 LRA=245



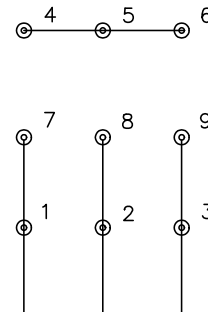
1/29/2023 ACPERF, record # 47164



CD0005

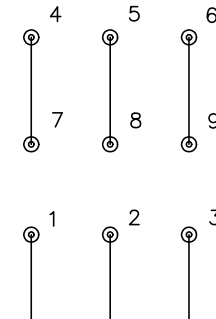


LOW VOLTAGE
(2Y)



LINE

HIGH VOLTAGE
(1Y)



LINE

NOTES:

1. INTERCHANGE ANY TWO LINE LEADS TO REVERSE ROTATION.
2. OPTIONAL THERMOSTATS ARE PROVIDED WHEN SPECIFIED.
3. ACTUAL NUMBER OF INTERNAL PARALLEL CIRCUITS MAY BE A MULTIPLE OF THOSE SHOWN ABOVE.
4. LEAD COLORS ARE OPTIONAL. LEADS MUST ALWAYS BE NUMBERED AS SHOWN.

CD0005

REV. DESC: REVISE TO SHOW OPTIONAL COLORS			
REV. LTR: E	BY: JLP	REVISED: 01/19/99 10:15	TDR: 0171435
S00000		FILE: AAA00005140	MDL: -
		MTL: -	

BALDOR ELECTRIC Co.

3PH, DV, 9 LEADS