

BALDOR • RELIANCE

Customer information packet

FSWDM41903T

25HP, 1775RPM, 3PH, 60HZ, 284T, 4068M, TEFC, F1

Specifications

Enclosure	TEFC
Frame	284T
Frame Material	Stainless Steel
Frequency	60.00 Hz
Motor Letter Type	Three Phase
Output @ Frequency	25.000 HP @ 60 HZ
Phase	3
Synchronous Speed @ Frequency	1800 RPM @ 60 HZ
Voltage @ Frequency	460.0 V @ 60 HZ 230.0 V @ 60 HZ
Agency Approvals	CSA NEMA PREMIUM UR
Ambient Temperature	40 °C
Auxillary Box	No Auxillary Box
Auxillary Box Lead Termination	None
Base Indicator	Rigid
Bearing Grease Type	Polyrex EM (-20F +300F)
Blower	None
Current @ Voltage	30.000 A @ 460.0 V 60.000 A @ 230.0 V
Design Code	A
Drip Cover	No Drip Cover
Duty Rating	CONT
Efficiency @ 100% Load	93.6 %
Electrically Isolated Bearing	Not Electrically Isolated
Feedback Device	NO FEEDBACK
Front Face Code	Standard
Front Shaft Indicator	None
Heater Indicator	No Heater
High Voltage Full Load Amps	30.0 a
Insulation Class	H

Part detail

Revision	G
Type	AC
Mech. spec.	40E430
Base	
Status	PRD/A
Elec. spec.	40WGX292
Layout	40LYE430
Eff. date	09-22-2023
CD Diagram	CD0180
Poles	04
Leads	9#10
Proprietary	False
Created date	01-04-2018

Inverter Code	Inverter Ready
KVA Code	H
Lifting Lugs	Standard Lifting Lugs
Locked Bearing Indicator	Locked Bearing
Motor Lead Exit	Ko Box
Motor Lead Quantity/Wire Size	9 @ 10 AWG
Motor Lead Termination	Flying Leads
Motor Standards	NEMA
Motor Type	4068M
Mounting Arrangement	F1
Number of Poles	4
Overall Length	28.14 IN
Power Factor	84
Product Family	WD All SD Non-Encapsulated
Pulley End Bearing Type	Ball
Pulley Face Code	Standard
Pulley Shaft Indicator	Standard
Rodent Screen	None
RoHS Status	ROHS COMPLIANT
Service Factor	1.15
Shaft Diameter	1.875 IN
Shaft Extension Location	Pulley End
Shaft Ground Indicator	No Shaft Grounding
Shaft Rotation	Reversible
Shaft Slinger Indicator	No Slinger
Speed	1775 rpm
Speed Code	Single Speed
Starting Method	Direct on line
Thermal Device - Bearing	None
Thermal Device - Winding	None
Vibration Sensor Indicator	No Vibration Sensor
Winding Thermal 1	None
Winding Thermal 2	None

Nameplate

NP4427AAA05											
CAT #	FSWDM41903T					LBS					
SPEC	40E430X292G1					ENCL	TEFC				
SER #						CC	010A	IP	69		
HP	25		MAG CUR	24/12							
VOLTS	230/460					NEMA NOM. EFF	93.6				
AMPS	60/30					PF	84				
RATING	40C AMB-CONT										
RPM	1775					MAX RPM	2700				
FRAME	284T	HZ	60	CODE	H	CLASS	H				
SER.F.	1.15	SF AMP				PH	3	DES	A		
DE	6311		ODE	6311							
LUBRICATION	POLYREX EM										
ID LOGO	VPWM	CHP	60	TO	90	1.5:1					
ID LOGO	WK2	5.41	CT	12	TO	60	5:1				
ID LOGO	SL HZ	0.8	VT	6	TO	60	10:1				
YR						QR					

Parts list

Part number	Description	Quantity
SA349828	SA 40E430X292G1	1.000 ea
RA338461	RA 40E430X292G1	1.000 ea
09FN3001A02SP	EXTERNAL FAN, PLASTIC (COMES W/SCREW FRO	1.000 ea
40CB1001A01	40 MACH. MID SECTION - 3 PC. CONDUIT BOX	1.000 ea
10XN2520S12	BOLT 1/4 - 20X 3/4 HEX HEAD SS (F/S)	4.000 ea
HW1001S25	WASHER, 1/4 SPLT LK, STAINLESS STEEL	4.000 ea
RM1070A82	O-RING, -055 VITON/FKM .070CS X 6.489 ID	1.000 ea
10XN2520G06	1/4 20X3/8 HX HD CAP, GREEN	1.000 ea
WD1000B16	T&B CX70TN OR L70P TERMINAL LUG	1.000 ea
40EP1901A02	FREP, MACH - 311 BRG WD11 SS	1.000 ea
RM1070A83	O-RING, VITON/FKM .070CS X 12.500 ID	1.000 ea
HW4500S33	1/8 NPT STAINLESS #304 SS PLUG	4.000 ea
HW4500S33	1/8 NPT STAINLESS #304 SS PLUG	4.000 ea
HW4600H05	55 X 75 X 8 LIP SEAL, GRAPHITE INFUSED V	1.000 ea
HW4600G75	55 X 75 X 5.5 AFS SEAL, GRAPHITE INFUSED	1.000 ea
HW4600H05	55 X 75 X 8 LIP SEAL, GRAPHITE INFUSED V	1.000 ea
HW4600G75	55 X 75 X 5.5 AFS SEAL, GRAPHITE INFUSED	1.000 ea
HW5100A13	W4627-047 WVY WSHR	1.000 ea
40EP1901B03	PUEP, MACH - 311 BRG WD11 SS	1.000 ea
RM1070A83	O-RING, VITON/FKM .070CS X 12.500 ID	1.000 ea
RM1070A78	O-RING, -012 VITON/FKM .070CS X .364ID	4.000 ea
40CB1500A01	40 MACH. LID - 3 PC. SS CONDUIT BOX	1.000 ea
RM1070A82	O-RING, -055 VITON/FKM .070CS X 6.489 ID	1.000 ea
51XB1214S20	12-14X1.25 HXWSSLD SERTYB, SS	1.000 ea
10FH4018A01	304 SS FAN HOUSING & BASE PLATE FOR HORZ	1.000 ea
10XN2520S08	SCREW, 1/4-20 X 1/2 HHCS SS	4.000 ea
HW2502H28	#303 SS,SQ KEY 1/2 X 3.250	1.000 ea
MJ5004A93	FOOD GRADE (H1 RATED) ANTISEIZE THRD COM	0.005 ea
MJ5001A27	32220KN GRAY SEALER *MIN BUY 4 QTS=1GAL	0.031 qt
MJ1000B13	PETROLATUM, OR PETROLEUM JELLY	0.010 oz
HA5027A09	DRAIN KIT,(2)HA4002A03 BAGGED W/LABEL	1.000 ea

MJ1000A02	GREASE, POLYREX EM EXXON	0.050 lb
HW2502F10	KEY, 5/16 SQ X 1.000 303 STAIMLESS STEEL	1.000 ea
HA3105FS16	THRUBOLT, 3/8-16 X 18.750 SS FOOD SAFE	4.000 ea
WD4006A11	WIRE JOINT, 6-14 AWG, SILICONE FILLED	6.000 ea
40PA1000	PACKAGING GROUP	1.000 ea
MN416A01	TAG-INSTAL-MAINT no wire (2100bx)4/22	1.000 ea
FE-0000022	ZRTG FE ASSEMBLY	1.000 ea
PE-0000013	ZRTG PE ASSEMBLY	1.000 ea

AC Induction Motor Performance Data

Record # 70431

Typical performance - not guaranteed values

Winding: 40WGX292-R001		Type: 4068M		Enclosure: TEFC	
Nameplate Data			460 V, 60 Hz: High Voltage Connection		
Rated Output (HP)	25	Full Load Torque	73.77 LB-FT		
Volts	230/460	Start Configuration	direct on line		
Full Load Amps	60/30	Breakdown Torque	253 LB-FT		
R.P.M.	1775	Pull-up Torque	114 LB-FT		
Hz	60 Phase	3	Locked-rotor Torque	149 LB-FT	
NEMA Design Code	A KVA Code	H	Starting Current	211 A	
Service Factor (S.F.)	1.15	No-load Current	12 A		
NEMA Nom. Eff.	93.6 Power Factor	84	Line-line Res. @ 25°C	0.24122 Ω	
Rating - Duty	40C AMB-CONT	Temp. Rise @ Rated Load	69°C		
S.F. Amps		Temp. Rise @ S.F. Load	82°C		
		Locked-rotor Power Factor	30.2		

Load Characteristics 460 V, 60 Hz, 25 HP

% of Rated Load	25	50	75	100	125	150	S.F.
Power Factor	47	69	79	84	86	87	85
Efficiency	89.8	93.4	94.1	94.1	93.7	92.9	93.9
Speed	1794.2	1788.5	1782.1	1775.7	1769.6	1761.7	1772
Line amperes	13.9	18.1	23.5	29.6	36.3	43.6	33.6

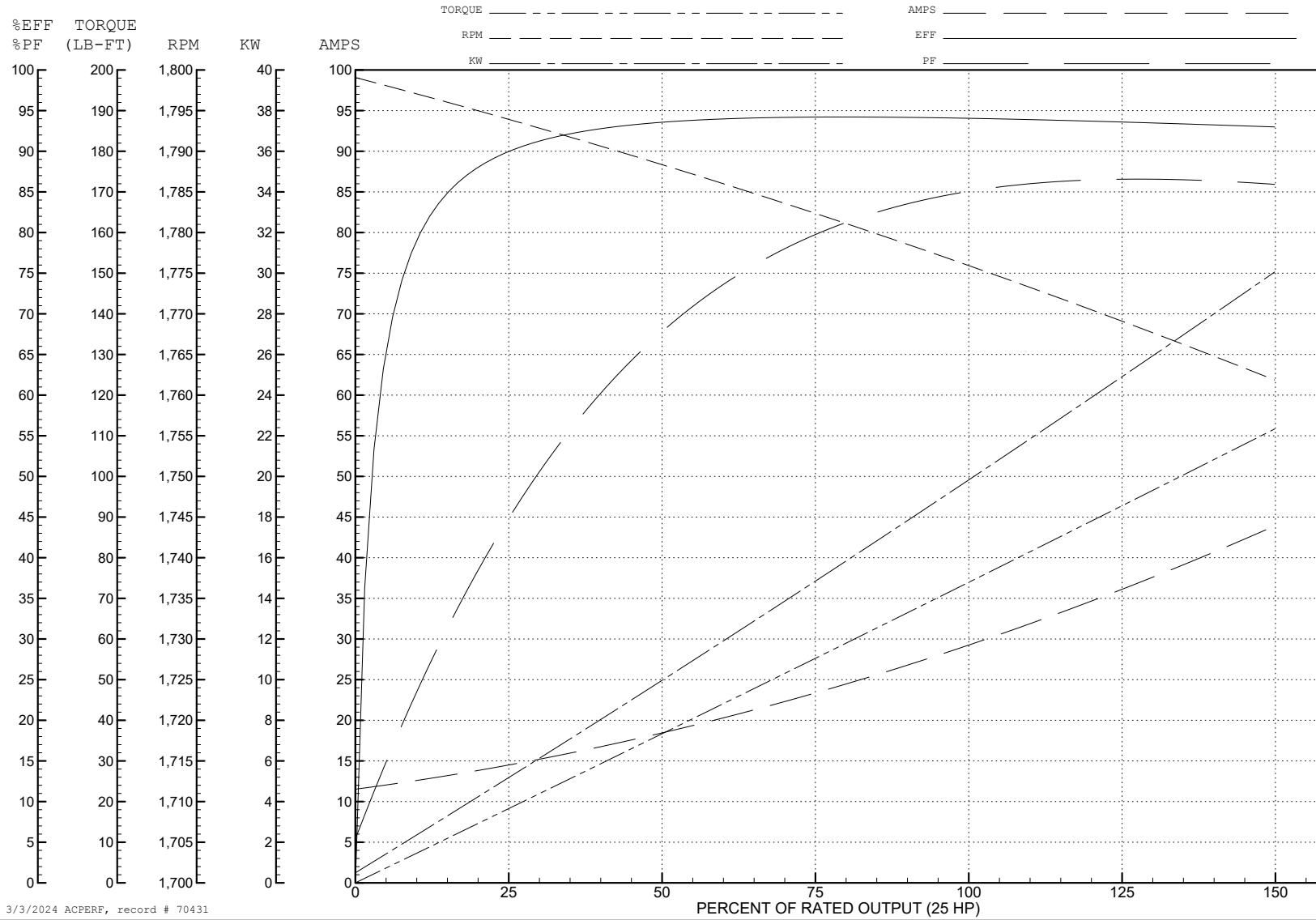
ABB Motors and Mechanical Inc.

WINDING # 40WGx292

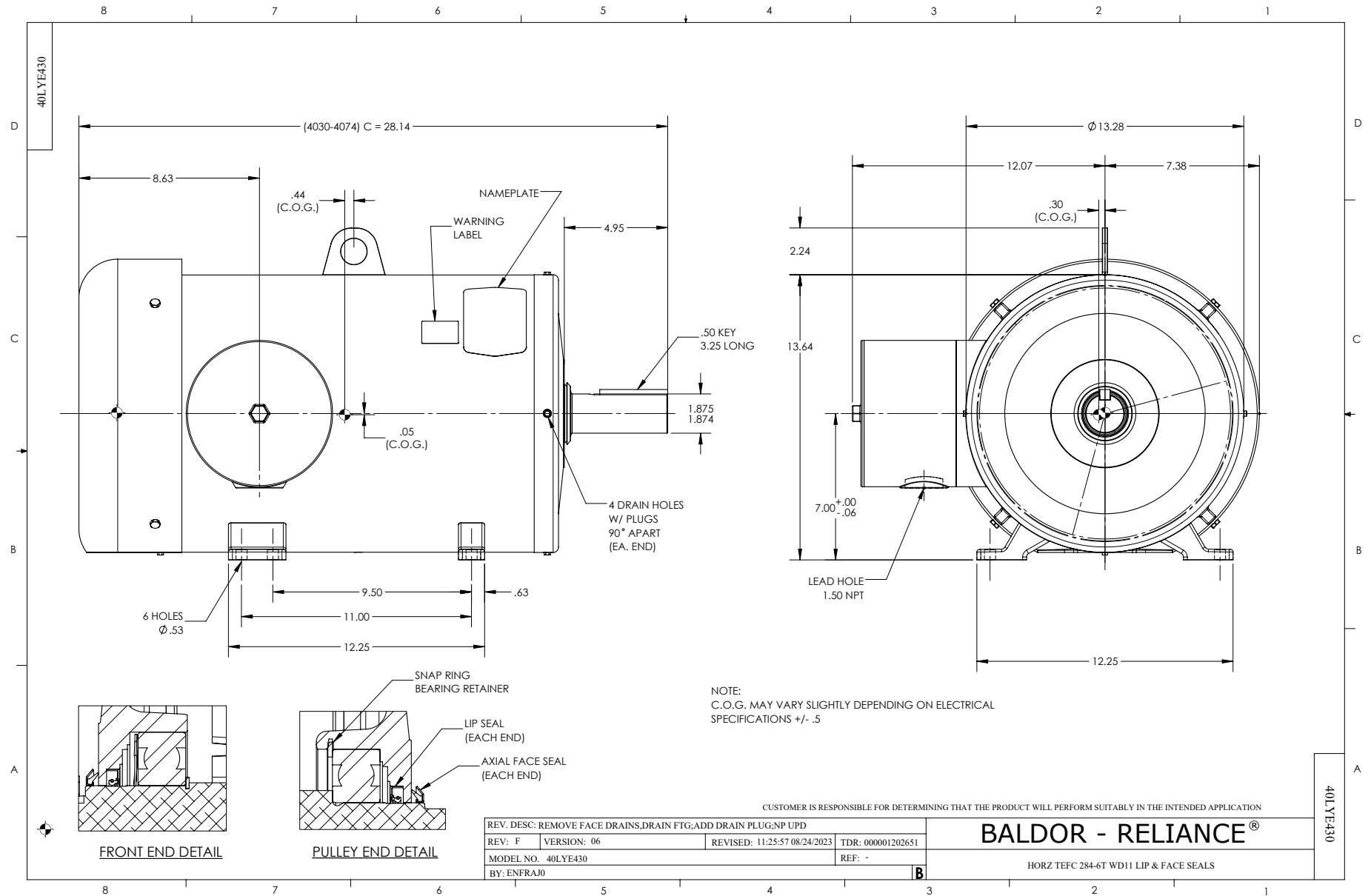
Typical performance - not guaranteed values.

25 HP 3 PH 60 HZ 1775 RPM 460 V 4068M

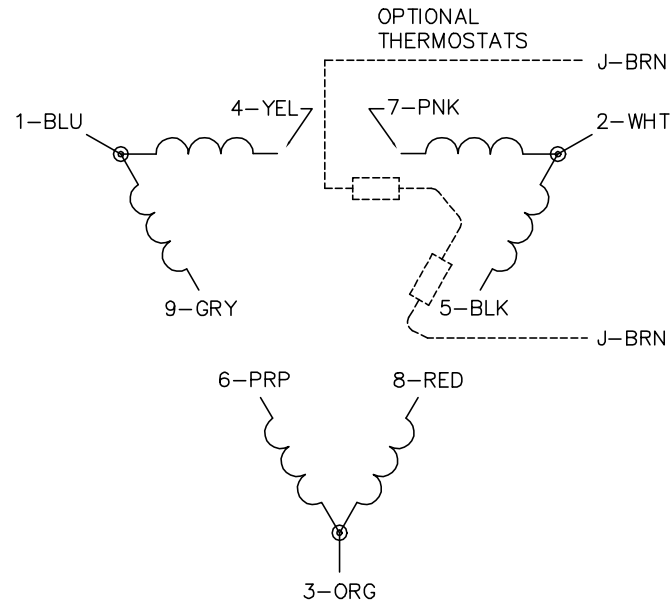
TORQUES (LB-FT): PO=253 PU=114 LR=149 LRA=211



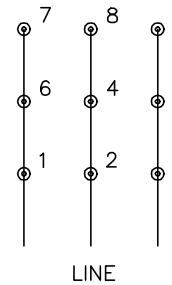
3/3/2024 ACPERF, record # 70431



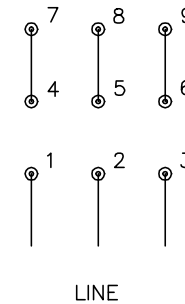
CD0180



LOW VOLTAGE
(2D)



HIGH VOLTAGE
(1D)



NOTES:

1. INTERCHANGE ANY TWO LINE LEADS TO REVERSE ROTATION.
2. OPTIONAL THERMOSTATS ARE PROVIDED WHEN SPECIFIED.
3. ACTUAL NUMBER OF INTERNAL PARALLEL CIRCUITS MAY BE A MULTIPLE OF THOSE SHOWN ABOVE.
4. LEAD COLORS ARE OPTIONAL. LEADS MUST ALWAYS BE NUMBERED AS SHOWN.

CD0180

REV. DESC: ADD CLASS CONN00000007		
REV. LTR: D	VERSION: 01	TDR: 000001099922
FILE: \AAA\00005\148	REVISED: 10: 25: 29 02/19/2019	BY: ENBRIRO
MTL: -	© □	

BALDOR - RELIANCE®

3PH, DV, 9 LEADS, DELTA CONNECTION

SH 1 of 1