

**BALDOR • RELIANCE**

---

# Customer information packet

## IDDRPM18254C

25HP, 1740RPM, 3PH, 60HZ, 1844C, DPG-FV, FT/2

## Specifications

Enclosure	DPFV
Frame	FL1844CZ
Frame Material	Exposed Laminations
Frequency	60.00 Hz
Output @ Frequency	25.000 HP @ 60 HZ
Phase	3
Synchronous Speed @ Frequency	1800 RPM @ 60 HZ
Voltage @ Frequency	460.0 V @ 60 HZ
Agency Approvals	CCSA US UR
Auxillary Box	No Auxillary Box
Base Indicator	Rigid
Bearing Grease Type	Polyrex EM (-20F +300F)
Current @ Voltage	33.000 A @ 460.0 V
Duty Rating	CONT
Enclosure Modification	FORCE VENT
Feedback Device	NO FEEDBACK
Frame Prefix	FL
Heater Indicator	No Heater
High Voltage Full Load Amps	33.0 a
Insulation Class	H
Motor Standards	NEMA
Mounting Arrangement	F1
Overall Length	27.96 IN
Product Family	General Industrial
Pulley End Bearing Type	Ball
Pulley Face Code	C-Face
Service Factor	1.00
Shaft Diameter	1.625 IN
Shaft Ground Indicator	No Shaft Grounding
Shaft Rotation	Reversible
Speed	1740 rpm

## Part detail

Revision	D
Type	AC
Mech. spec.	
Base	
Status	PRD/A
Elec. spec.	L3346A
Layout	617233-023
Eff. date	01-21-2022
CD Diagram	422927-001
Poles	04
Leads	
Proprietary	False
Created date	04-10-2015

**Thermal Device - Bearing**

None

**Thermal Device - Winding**

Normally Closed Thermostat

---

**Nameplate**

000613006MY

	DUTY	HP	RPM	AMPS	VOLTS	HZ	
	CONT	25	1740	33	460		60
	CONT	25	3150	32	460		109
<b>CAT.NO.</b>	IDDRPM18254C		<b>SPEC. NO.</b>		P18T0330		
<b>SER.NO</b>			<b>FR</b>	FL 1844CZ	<b>INSUL</b>	H	
<b>PH.</b>	3	<b>MAX SAFE SPEED</b>		7200	<b>AMB.</b>	40	<b>MIN. AMB.</b> -25
<b>DESIGN NO.</b>	L3346A		<b>TYPE</b>		<b>ENCL.</b>	DP	
<b>S.F.</b>	1.0		<b>D.E. BRG.</b>	45BC02JPP30A			
<b>ENCL MOD</b>	FORCE VENT		<b>O.D.E. BRG.</b>	35BC02JPP30A			

**000613006MY**

	<b>DUTY</b>	<b>HP</b>	<b>RPM</b>	<b>AMPS</b>	<b>VOLTS</b>	<b>HZ</b>	
	CONT	25	1740	33	460	60	
	CONT	25	3150	32	460	109	
<b>CAT.NO.</b>	IDDRPM18254C		<b>SPEC. NO.</b>		P18T0330		
<b>SER.NO</b>		<b>FR</b>	FL 1844CZ	<b>INSUL</b>	H		
<b>PH.</b>	3	<b>MAX SAFE SPEED</b>		7200	<b>AMB.</b>	40	<b>MIN. AMB.</b> -25
<b>DESIGN NO.</b>	L3346A		<b>TYPE</b>		<b>ENCL.</b>	DP	
<b>S.F.</b>	1.0		<b>D.E. BRG.</b>	45BC02JPP30A			
<b>ENCL MOD</b>	FORCE VENT		<b>O.D.E. BRG.</b>	35BC02JPP30A			

## Parts list

Part number	Description	Quantity
WS286788	WS P18T0330	1.000 ea
RA282996	RA P18T0330	1.000 ea
000613006MY	NP-RPMAC INVERTER DUTY	1.000 ea
000613006MY	NP-RPMAC INVERTER DUTY	1.000 ea
033519002GC	SCREW, SELF TAPPING	4.000 ea
LB1613	LABEL, QR CODE, ADHESIVE LABEL	1.000 ea
000692000XM	LABEL QR CODE	1.000 ea
411716004A	219P039 - 219P039 - LA	1.000 ea
033775004EA	DRSCR #6-1/4 304 S.S.	4.000 ea
422927001	C/D LABEL	1.000 ea
032003168CB	THRU BOLT	4.000 ea
BP5248	BP5248	1.000 ea
033102012AG	HXNUT LEAD CONN 1/4-20 GR5 ZP	4.000 ea
034017012AB	LCKW 1/4 STD. PLATED 034017012AF	4.000 ea
036000016DB	HHCS	2.000 ea
036000050JB	M8-1,25 X 50 MHHCS	2.000 ea
400638001D	WAVEN ( Customer number 43699)	1.000 ea
411693051B	LUG, LIFTING	2.000 ea
807580023BAA	BRKT,DE,FL180	1.000 ea
BP5068BJ01	BRUSH, .187 X .187 X 1.00	1.000 ea
807580024AAC	BRKT,ODE,FL180,DPFV	1.000 ea
000613006NT	NAME PLATE IEC	1.000 ea
032018004DK	HHCS,DRIP COVER	4.000 ea
032018006CK	HHCS 3/8-16X3/4L PLATED 411409	4.000 ea
034017014AB	LCKW 3/8 STD. PLATED	4.000 ea
036000012HB	HHCS M6X12MM LONG PLATED	2.000 ea
036000012HB	HHCS M6X12MM LONG PLATED	3.000 ea
036000012HB	HHCS M6X12MM LONG PLATED	3.000 ea
036000020HB	HHCS M6-1.0X20MM PLATED	4.000 ea
036000040JB	HHCS,DE BRKT (M8-1.25X40MM PLTD.) AA	4.000 ea
036200030HB	M6 STUD	4.000 ea

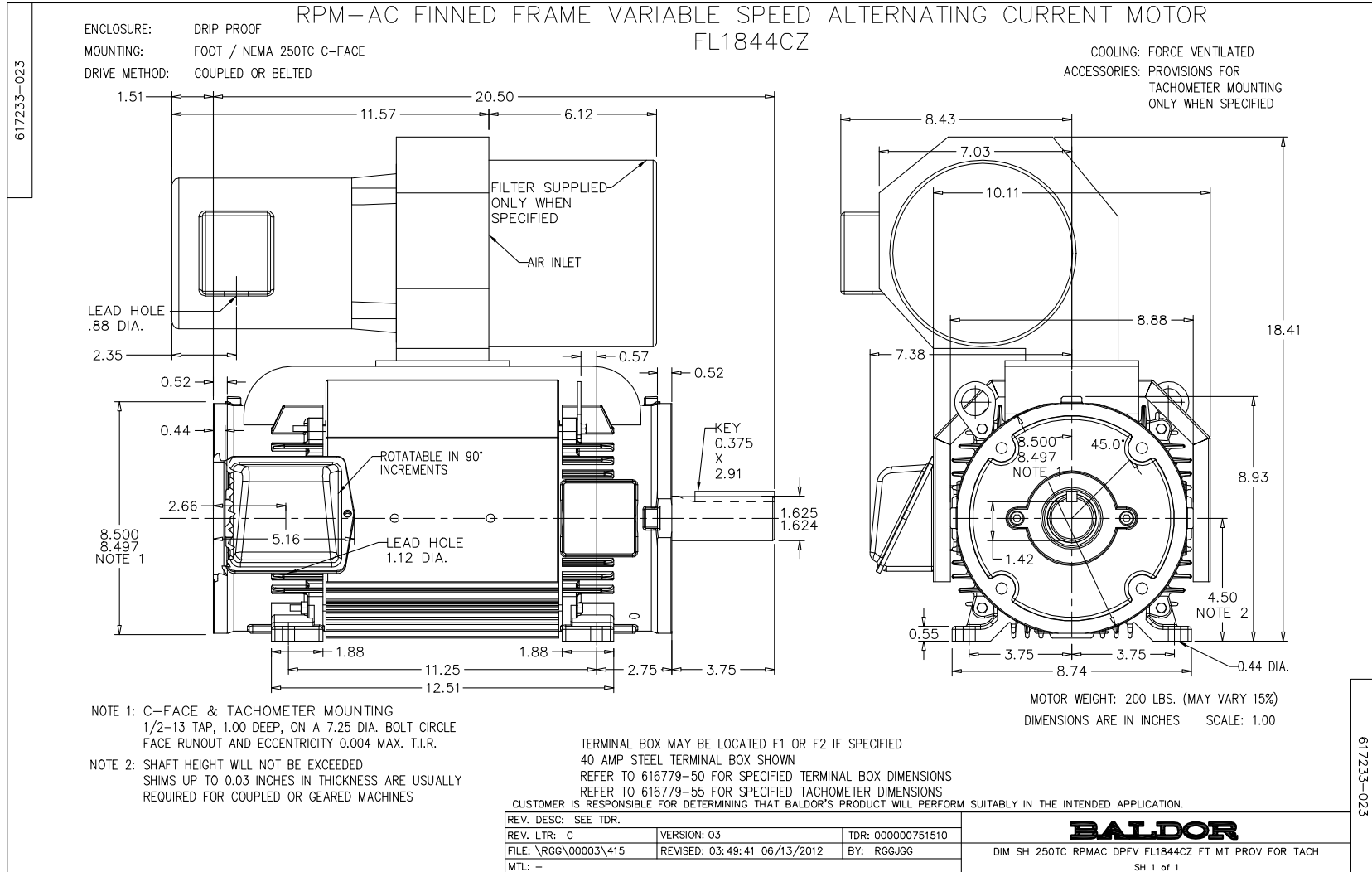
036200055HB	M6 STUD	2.000 ea
036500008AB	METRIC H.NUT M6-1.0 PLTD	6.000 ea
036600008AB	MFWSH M6 PLATED	6.000 ea
036601008AB	M6 FLAT WASHER	3.000 ea
036620009AB	M8 EXTERNAL LK WASHER	1.000 ea
065530000B	GASK	1.000 ea
075451000A	COVER, CONDUIT BOX	1.000 ea
410978010A	FLANGE, INLET BLOWER	1.000 ea
410978011A	GRILL, INLET BLOWER HSG	1.000 ea
415000103G	TLUG	1.000 ea
417733001A	GSK C/ BOX BASE	2.000 ea
418010006A	CAST,MPLATE,180-280,EX1,7BY	1.000 ea
418018074A	GROUND LABEL G100 METRIC 160 D.C.	1.000 ea
422919374	HHCVR KIT,FL180,DPFV,DE/ODE	1.000 ea
422919374	HHCVR KIT,FL180,DPFV,DE/ODE	1.000 ea
600164003A	WHEEL, BLOWER	1.000 ea
610490001B	.33HP,3450//2850RPM,3PH,60//50HZ,56C,341	1.000 ea
706305301A	GUARD, SHAFT	1.000 ea
706313063F	BLOWER HOUSING	1.000 ea
706320003A	CONDUIT BOX	1.000 ea
807505070C	DUCT, BLOWER	1.000 ea
418057243A	GROOVE PIN	1.000 ea
807504053C	FL180 TEAO FRAME	1.000 ea
000640000P	TAG WINDING THERMOST	1.000 ea
004824007CQR	C2 PAINT SYSTEM MEDIUM GRAY CHARCOAL MET	0.100 ea
034180022FA	KEY 3/8X3/8X2-3/4 L	1.000 ea
418018116	WARNING PLATE	1.000 ea
036500008AB	METRIC H.NUT M6-1.0 PLTD	2.000 ea
036601008AB	M6 FLAT WASHER	2.000 ea





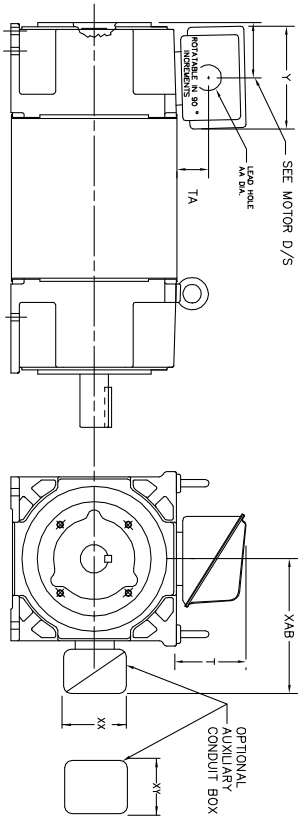






INDUSTRIAL ALTERNATING CURRENT MOTORS  
RPM AC

STEEL, CAST IRON, MILL AND TERMINAL BOARD CONDUIT BOX DIMENSIONS  
NEMA FRAMES RL210 thru RL280 and IEC FRAMES RDL132 thru RDL180  
NEMA FRAMES FL180 thru FL280 and IEC FRAMES FDL112 thru FDL180



FRAME	TYPE	TERMINAL STRIP	AMPS	C/BOX	Y	TA	T	AA
FL180	STEEL	N	40	706320003A	5.00	1.62	3.00	1.12
FL180	STEEL	N	75	706320003A	6.12	2.38	4.38	1.75/2.00
FL180	CAST IRON	N	208	706320007A	6.82	2.00	7.00	2.50/3.00
FL180 & FDL11	CAST IRON	Y/N	40	706320004B	5.75	2.38	4.38	1.50/1.75
FL180 & FDL11	MILL	Y	100	706310028A	7.75	2.30	4.40	PC29/PG16
FL210 & RL210	STEEL	N	61	0754520009	6.34	2.00	4.12	1.75
FL210 & RL210	STEEL	N	121	0754520009	7.69	2.38	5.25	1.94
FL210 & RL210	STEEL	N	305	706320016A	9.00	4.12	8.42	4.89
FL210 & RL210	CAST IRON	N	110	075460052B	7.25	2.50	5.25	1.5 TAP
FL210 & RL210	MILL	Y	100	7063100229A	7.75	2.30	4.40	PC29/PG16
FL210 & RL210	MILL	Y	160	706310056A	9.00	3.06	5.40	PC36/PG16
FL210 & RL210	MILL	Y/N	235	706310056B	11.42	4.00	6.72	2.50
FL250 & RL250	STEEL	N	61	0754520009	6.34	2.00	4.12	1.75
FL250 & RL250	STEEL	N	121	0754520009	7.69	2.38	5.25	1.94
FL250 & RL250	STEEL	N	305	706320016A	9.00	4.12	8.42	4.89
FL250 & RL250	CAST IRON	N	110	075460052B	7.25	2.50	5.25	1.5 TAP
FL250 & RL250	CAST IRON	N	210	706320017A	10.50	4.88	9.00	4.0 TAP
FL250 & RL250	MILL	Y	100	7063100229A	7.75	2.30	4.40	PC29/PG16
FL250 & RL250	MILL	Y	160	706310056A	9.00	3.06	5.40	PC36/PG16
FL250 & RL250	MILL	Y/N	235	706310056B	11.42	4.00	6.72	2.50
FL250 & RL250	MILL	Y	400	706310063B	14.39	7.43	12.15	BLANK
FL280 & RL280	STEEL	N	160	706310056B	9.00	3.06	5.40	PC36/PG16
FL280 & RL280	STEEL	N	305	706320016A	11.42	4.00	6.72	2.50
FL280 & RL280	STEEL	N	500	706320017A	14.62	7.56	12.70	5.00
FL280 & RL280	CAST IRON	N	140	706320012B	9.25	4.81	8.56	3.0 TAP
FL280 & RL280	CAST IRON	N	210	706320015A	10.50	4.88	9.00	4.0 TAP
FL280 & RL280	CAST IRON	N	510	706320014D	15.00	7.56	12.81	5.0 TAP
FL280 & RL280	MILL	Y	100	706310056A	7.75	2.30	4.40	PC29/PG16
FL280 & RL280	MILL	Y	160	706310056B	9.00	3.06	5.40	PC36/PG16
FL280 & RL280	MILL	Y/N	235	706310037A	11.42	4.00	6.72	2.50
FL280 & RL280	MILL	Y	400	706310063B	14.39	7.43	12.15	BLANK

FRAME SIZE	OPTIONAL AUXILIARY CONDUIT BOX DIMENSIONS (MAXIMUM)					
	XAB	XX	XY	PART NUMBER	FRAME SIZE	PART NUMBER
FL180/FL180M/FL180L/FL180	7.38	4.25	4.25	602007-26-A	FL180/FL180M/FL180L/FL180	706310-3-B
FL210/FL210M/FL210L/FL210	8.44	4.25	4.25	602007-26-A	FL210/FL210M/FL210L/FL210	706310-3-B
FL250/FL250M/FL250L/FL250	9.12	4.25	4.25	602007-26-A	FL250/FL250M/FL250L/FL250	706310-3-B
FL280/FL280M/FL280L/FL280	9.12	4.25	4.25	602007-26-A	FL280/FL280M/FL280L/FL280	706310-3-B

- (1) 7/8" PIPE TAP
- (2) CUSTOMER TO PROVIDE W/LE TYP CONDUIT.
- (3) DIM SA ON 1" DIA DN W/2

TERMINAL BOX CAN BE ROTATED FOR LEAD INLET AT TOP, SIDES OR BOTTOM  
TERMINAL BOX LOCATED ON OPPOSITE SIDE WHEN F-2, V-1, V-4, V-5, V-7,  
OR C-1 MOUNTING IS SPECIFIED. BOX LOCATED ON TOP WHEN SPECIFIED.

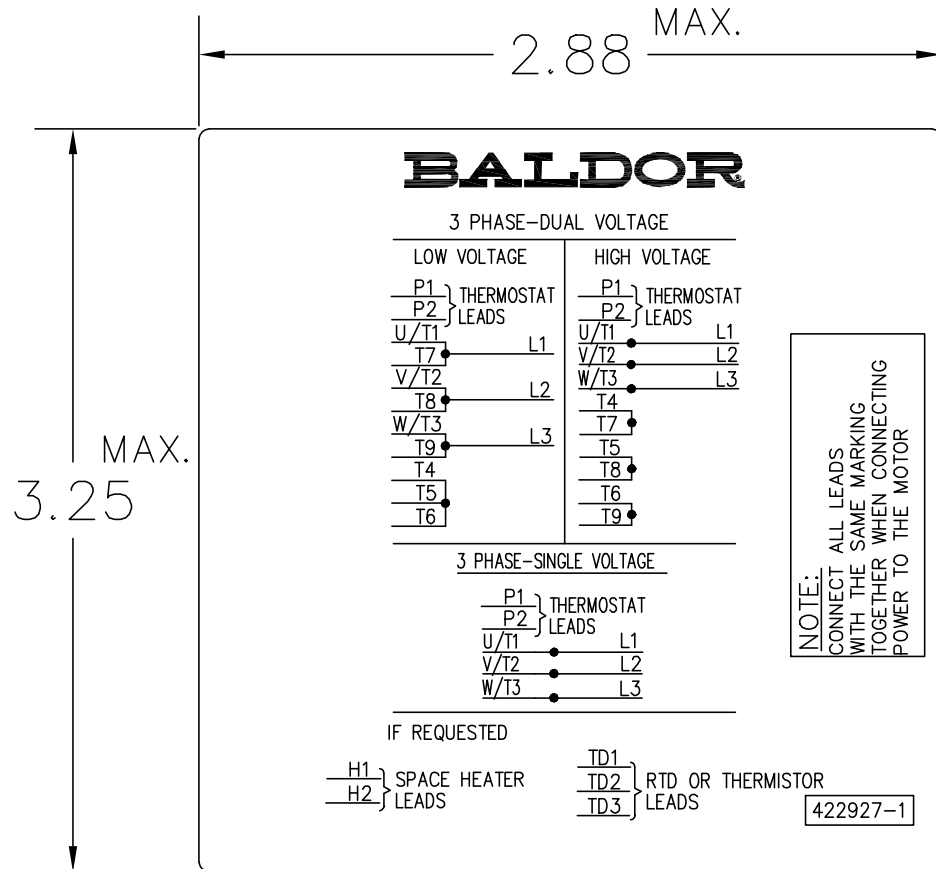
050-677919

CUSTOMER IS RESPONSIBLE FOR DETERMINING THAT BALDOR'S PRODUCT WILL PERFORM SUITABLY IN THE INTENDED APPLICATION.

REV. DESC: ADD 706310-637 & 639 BOX	VERSION: 06	TDR: 000001180260
REV. LTR: F	REVISED: 11: 08: 56 10/26/2021	BY: RCGRWM
FILE: \RGG\00003\692		
MTL: -		

**BALDOR - RELIANCE®**  
DIM SHT NEMA RL210-RL280 FL180-FL280 IEC RDL132-RDL180  
SH 1 of 1

422927-001



NOTE:  
DATA TO BE SIZED  
SO THAT IT FITS INTO  
MATERIAL DECAL  
DIMENSIONS. MAKE  
LETTERS & NUMBERS  
AS LARGE AS POSSIBLE.

MATERIAL: CERAMATIC DGF-P4  
PERMA GRIP ADHESIVE

ALL LETTERS, NUMBERS  
AND LINES TO BE BLACK  
ON WHITE BACKGROUND.

422927-001

REV. DESC: CHANGE BACKGROUND COLOR FROM GOLD TO WHITE		
REV. LTR: B	VERSION: 02	TDR: 00000788708
FILE: \RGG\00000\203	REVISED: 08:09:29 03/04/2013	
MTL: -	BY: RGGWT	

**BALDOR**

EXTERNAL CONNECTION LABEL

SH 1 of 1