

BALDOR® • RELIANCE™

Customer information packet

IDFRPM21154C

15HP, 1750, 460V, FL2162, TEFC, F3

Specifications

Enclosure	TEFC
Frame	FL2162CZ
Frame Material	Exposed Laminations
Frequency	60.00 Hz
Output @ Frequency	15.000 HP @ 60 HZ
Phase	3
Synchronous Speed @ Frequency	1800 RPM @ 60 HZ
Voltage @ Frequency	460.0 V @ 60 HZ
Agency Approvals	CCSA US
Auxillary Box	No Auxillary Box
Base Indicator	Rigid
Bearing Grease Type	Polyrex EM (-20F +300F)
Current @ Voltage	20.000 A @ 460.0 V
Duty Rating	CONT
Feedback Device	NO FEEDBACK
Frame Prefix	FL
Heater Indicator	No Heater
High Voltage Full Load Amps	20.0 a
Insulation Class	H
IP Rating	NONE
Motor Standards	NEMA
Mounting Arrangement	F3
Overall Length	26.74 IN
Product Family	General Industrial
Pulley End Bearing Type	Ball
Pulley Face Code	C-Face
Service Factor	1.00
Shaft Diameter	1.625 IN
Shaft Ground Indicator	Shaft Grounding
Shaft Rotation	Reversible
Speed	1775 rpm
Starting Method	Full Voltage

Part detail

Revision	A
Type	AC
Mech. spec.	
Base	
Status	PRD/A
Elec. spec.	L3307A
Layout	617517-083
Eff. date	01-21-2022
CD Diagram	422927-001
Poles	04
Leads	
Proprietary	False
Created date	10-21-2021

Thermal Device - Bearing

None

Thermal Device - Winding

Normally Closed Thermostat

Nameplate

000613006MY

	DUTY	HP	RPM	AMPS	VOLTS	HZ			
	CONT	15	1775	20	460		60		
	CONT	15	3550	19	460		120		
CAT.NO.	IDFRPM21154C		SPEC. NO.		F21-A000-0455				
SER.NO			FR	FL2162CZ	INSUL	H			
PH.	3	MAX SAFE SPEED		5000	AMB.	40	MIN. AMB.	-25	
DESIGN NO.	L3307A		TYPE		ENCL.	TEFC			
S.F.	1.00		D.E. BRG.	50BC03JPP30A					
ENCL MOD			O.D.E. BRG.	45BC02JPP30A					
	IP44								

Parts list

Part number	Description	Quantity
WS392790	WS F21-A000-0455	1.000 ea
RA389321	RA F21-A000-0455	1.000 ea
418018122A	LABEL	2.000 ea
411716004A	219P039 - 219P039 - LA	1.000 ea
033775004EA	DRSCR #6-1/4 304 S.S.	4.000 ea
000613006MY	NP-RPMAC INVERTER DUTY	1.000 ea
000692000XM	LABEL QR CODE	1.000 ea
LB1613	LABEL, QR CODE, ADHESIVE LABEL	1.000 ea
422927001	C/D LABEL	1.000 ea
807581004AAB	BRKT,FL210,DE 807581-2WCB	1.000 ea
807581003BAA	BRKT,FL210,DE 807581-1WCB	1.000 ea
BP5068BJ01	BRUSH, .187 X .187 X 1.00	1.000 ea
HA4054	SHORT T-DRAIN FITTING, .125" N.P.T.	1.000 ea
HA4054	SHORT T-DRAIN FITTING, .125" N.P.T.	1.000 ea
400638001AB	WASHER SPRING - 210	1.000 ea
036610010AB	MHSLW M10 PLATED	4.000 ea
036000016DB	HHCS	2.000 ea
036100080KA	M10-1.50X 80MM HXSOCHDCS	3.000 ea
418057491A	LIFTING LUG	2.000 ea
036500010AB	METRIC NUT M10-1.5PLTD400	4.000 ea
036500010AB	METRIC NUT M10-1.5PLTD400	4.000 ea
609830005AN	TBOLT PURGE MTR	4.000 ea
BP5248	BP5248	1.000 ea
415000103D	T/LUG #4AWG-1/0AWG W/HOLE FOR .250 BOLT	1.000 ea
415072001B	CLAMP	1.000 ea
417733004AC	GASK C/BOX	1.000 ea
706310640B	BACKPLATE GASKET C/BOX 706310-637	1.000 ea
034180010DA	KEY 1/4X1/4X1-1/4L	1.000 ea
078547001P	FAN 210	1.000 ea
708533051A	GRILL, FAN COVER	1.000 ea
708533050A	COVER, FAN	1.000 ea

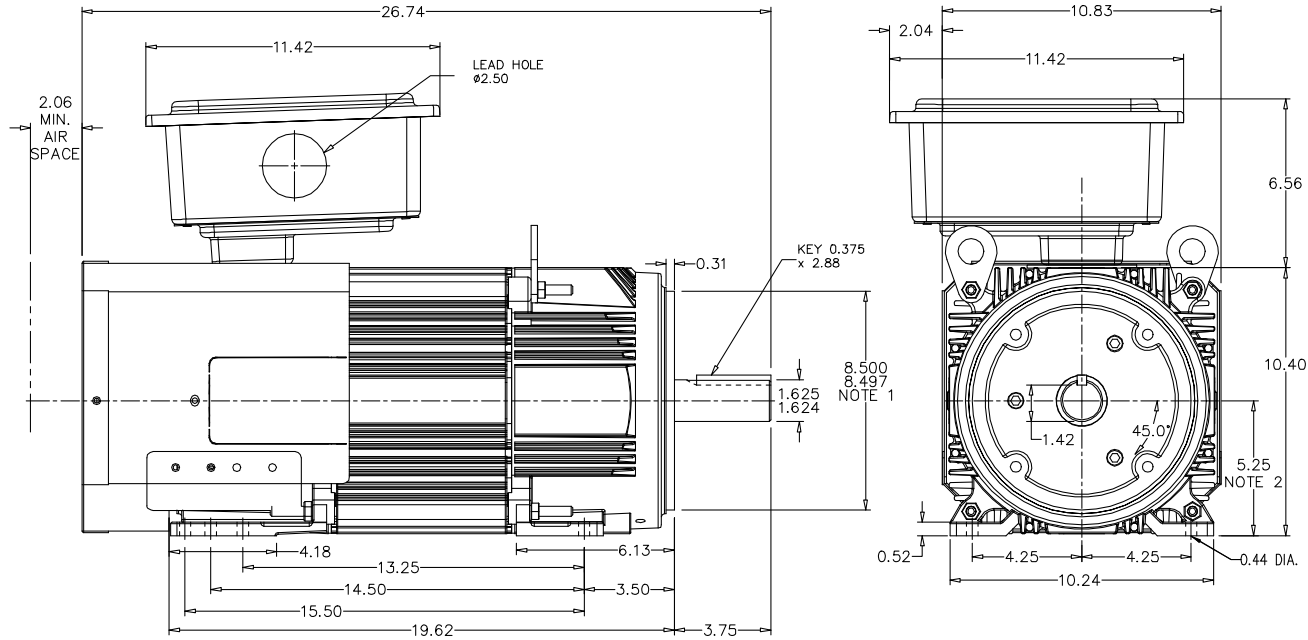
036321020HB	HEXSOCKET FLAT SCREW M	3.000 ea
418057256F	HHCS M6 12MM ZINCPLAT	1.000 ea
418057373A	SCREW SHEET METAL	7.000 ea
418018074A	GROUND LABEL G100 METRIC 160 D.C.	1.000 ea
406673002C	.75 CAP PLUG	1.000 ea
406673002AE	2" CAP PLUG	1.000 ea
036620009AB	M8 EXTERNAL LK WASHER	1.000 ea
706310638A	BACK PLATE FOR 706310-637 WITH 3.12" BOL	1.000 ea
423709011A	WASHER	8.000 ea
708533003A	PLATE, BTM FAN/BLOWER	2.000 ea
706310637A	C/BOX, MILL, RPMAC,9X9X4, 375IN^3	1.000 ea
706310641A	LIPPED CBOX LID FOR 706310-642	1.000 ea
706310640A	LID GASKET C/BOX 706310-637	1.000 ea
036010012HB	HHCS T/BOX BRACE	16.000 ea
036000012HB	HHCS M6X12MM LONG PLATED	4.000 ea
034180022FA	KEY 3/8X3/8X2-3/4 L	1.000 ea
000640000P	TAG WINDING THERMOST	1.000 ea
004824007CQR	C2 PAINT SYSTEM MEDIUM GRAY CHARCOAL MET	0.100 ea

617517-083

RPM-AC FINNED FRAME VARIABLE SPEED ALTERNATING
CURRENT MOTOR
FL2162CZ

ENCLOSURE: TOTALLY ENCLOSED
MOUNTING: FOOT / NEMA 250TC C-FACE
DRIVE METHOD: COUPLED OR BELTED

COOLING: FAN COOLED
ACCESSORIES: PROVISIONS FOR
TACHOMETER MOUNTING
ONLY WHEN SPECIFIED



NOTE 1: C-FACE & TACHOMETER MOUNTING
1/2-13 TAP, 1.00 DEEP, ON A 7.25 DIA. BOLT CIRCLE
FACE RUNOUT AND ECCENTRICITY 0.004 MAX. T.I.R.
NOTE 2: SHAFT HEIGHT WILL NOT BE EXCEEDED
SHIMS UP TO 0.03 INCHES IN THICKNESS ARE USUALLY
REQUIRED FOR COUPLED OR GEARED MACHINES

235 AMP MILL TERMINAL BOX SHOWN
ROTATABLE IN 90° INCREMENTS

MOTOR WEIGHT: 290 LBS. (MAY VARY 15%)
DIMENSIONS ARE IN INCHES SCALE: 1.00

CUSTOMER IS RESPONSIBLE FOR DETERMINING THAT BALDOR'S PRODUCT WILL PERFORM SUITABLY IN THE INTENDED APPLICATION.

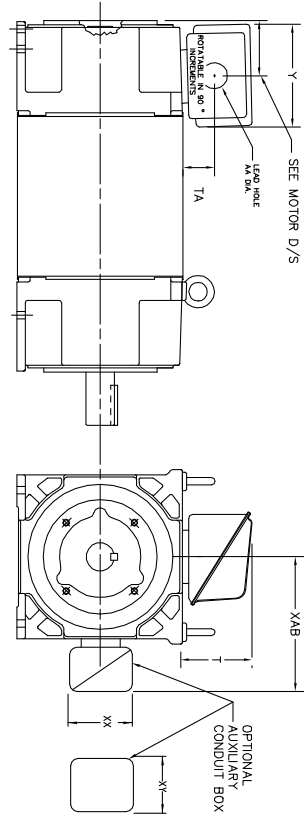
REV. DESC: INITIAL RELEASE	VERSION: 00	TDR: 000001179396
REV. LTR: -	REVISED: 09: 27: 15 10/21/2021	BY: USWATUR
FILE: \RGG\00031\898		
MTL: -		

BALDOR - RELIANCE[®]
DIM SHT,TEFC,FL2162CZ,FT MT,PROV FOR TACH,MILL BOX F3
SH 1 of 1

617517-083

INDUSTRIAL ALTERNATING CURRENT MOTORS
RPM AC

STEEL, CAST IRON, MILL AND TERMINAL BOARD CONDUIT BOX DIMENSIONS
NEMA FRAMES RL210 thru RL280 and IEC FRAMES RDL132 thru RDL180
NEMA FRAMES FL180 thru FL280 and IEC FRAMES FDL112 thru FDL180



FRAME	TYPE	TERMINAL STRIP	AMPS	C/BOX	Y	TA	T	AA
FL180	STEEL	N	40	706320003A	5.00	1.62	3.00	1.12
FL180	STEEL	N	75	706320003A	6.12	2.38	4.38	1.75/2.00
FL180	STEEL	N	208	706320007A	6.82	2.00	7.00	2.50/3.00
FL180	CAST IRON	Y/N	40	706320004A	5.75	2.38	4.38	1.50/1.75
FL180 & FDL11	MILL	Y	100	706310028A	7.75	2.30	4.40	PC29/PG16
FL210 & RL210	STEEL	N	61	0754520009	6.34	2.00	4.12	1.75
FL210 & RL210	STEEL	N	121	075452001A	7.69	2.38	5.25	1.94
FL210 & RL210	STEEL	N	336	706320016A	9.00	4.12	8.42	4.89
FL210 & RL210	CAST IRON	N	110	075460052B	7.25	2.50	5.25	1.5 TAP
FL210 & RL210	MILL	Y	100	706310225A	7.75	2.30	4.40	PC29/PG16
FL210 & RL210	MILL	Y	160	706310056A	9.00	3.06	5.40	PC36/PG16
FL210 & RL210	MILL	Y/N	235	706310058B	11.42	4.00	6.72	2.50
FL250 & RL250	STEEL	N	61	0754520008	6.34	2.00	4.12	1.75
FL250 & RL250	STEEL	N	121	075452001A	7.69	2.38	5.25	1.94
FL250 & RL250	STEEL	N	336	706320016A	9.00	4.12	8.42	4.89
FL250 & RL250	CAST IRON	N	110	075460052B	7.25	2.50	5.25	1.5 TAP
FL250 & RL250	CAST IRON	N	210	706320017A	10.50	4.88	9.00	4.0 TAP
FL250 & RL250	MILL	Y	100	706310225A	7.75	2.30	4.40	PC29/PG16
FL250 & RL250	MILL	Y	160	706310056A	9.00	3.06	5.40	PC36/PG16
FL250 & RL250	MILL	Y/N	235	706310058B	11.42	4.00	6.72	2.50
FL250 & RL250	MILL	Y	400	706310063B	14.39	7.43	12.15	BLANK
FL280 & RL280	STEEL	N	160	706310058B	9.00	3.06	5.40	PC36/PG16
FL280 & RL280	STEEL	N	300	706320018	11.42	4.00	6.72	2.50
FL280 & RL280	STEEL	N	500	706320019	14.62	7.56	12.70	5.00
FL280 & RL280	CAST IRON	N	210	706320017A	9.25	4.81	8.56	3.0 TAP
FL280 & RL280	CAST IRON	N	510	706320015A	10.50	4.88	9.00	4.0 TAP
FL280 & RL280	CAST IRON	N	510	706320014D	15.00	7.56	12.81	5.0 TAP
FL280 & RL280	MILL	Y	100	706310056A	7.75	2.30	4.40	PC29/PG16
FL280 & RL280	MILL	Y	160	706310058B	9.00	3.06	5.40	PC36/PG16
FL280 & RL280	MILL	Y/N	235	706310057A	11.42	4.00	6.72	2.50
FL280 & RL280	MILL	Y	400	706310063B	14.39	7.43	12.15	BLANK

FRAME SIZE	OPTIONAL AUXILIARY CONDUIT BOX DIMENSIONS (MAXIMUM)								
	XAB	XX	XY	PART NUMBER	FRAME SIZE	PART NUMBER			
FL180/FL180A/FL180B	7.38	4.25	4.25	602007-26-A	FL180/FL180A/FL180B	10.88	8.00	8.00	706310-3-B
FL210/FL210A/FL210B	8.44	4.25	4.25	602007-26-A	FL210/FL210A/FL210B	11.88	8.00	8.00	706310-3-B
FL250/FL250A/FL250B	9.12	4.25	4.25	602007-26-A	FL250/FL250A/FL250B	12.62	8.00	8.00	706310-3-B
FL280/FL280A/FL280B	9.12	4.25	4.25	602007-26-A	FL280/FL280A/FL280B	12.62	8.00	8.00	706310-3-B

- (1) 7/8" PIPE TAP
- (2) CUSTOMER TO PROVIDE WIRE TYPE CONDUIT.
- (3) DIM SA ON 1" DIA DN W-6

TERMINAL BOX CAN BE ROTATED FOR LEAD INLET AT TOP, SIDES OR BOTTOM.
TERMINAL BOX LOCATED ON OPPOSITE SIDE WHEN F-2, V-1, V-4, V-5, V-7,
OR C-1 MOUNTING IS SPECIFIED. BOX LOCATED ON TOP WHEN SPECIFIED.

050-677919

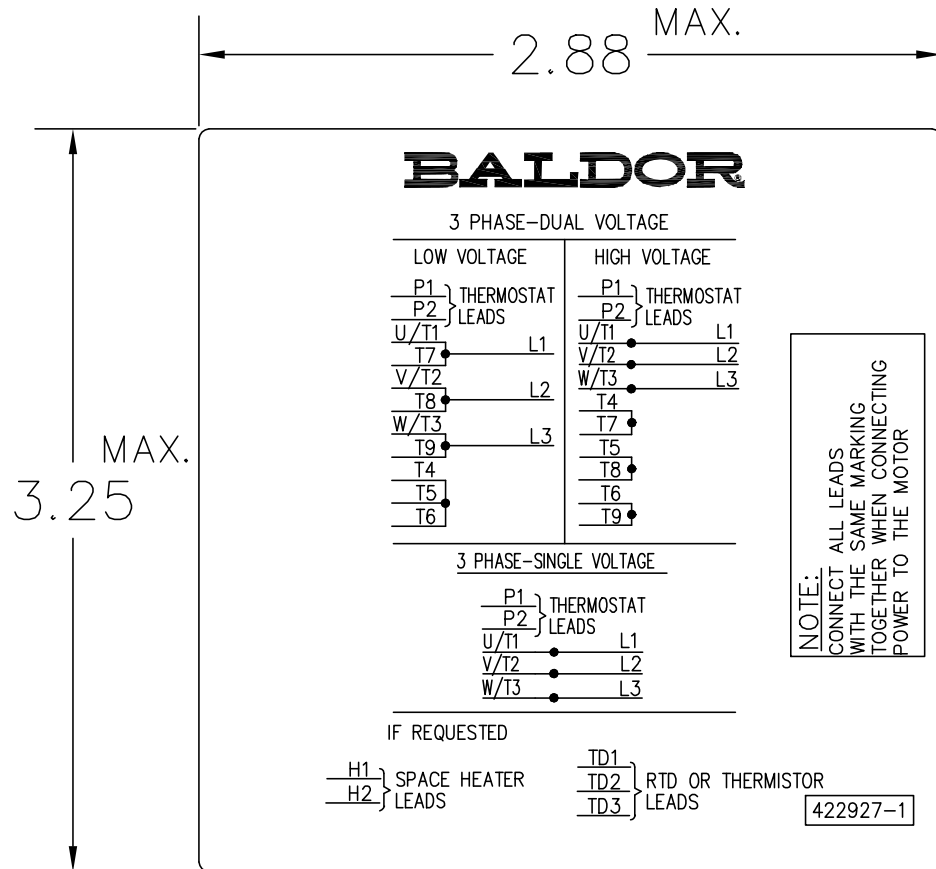
CUSTOMER IS RESPONSIBLE FOR DETERMINING THAT BALDOR'S PRODUCT WILL PERFORM SUITABLY IN THE INTENDED APPLICATION.

REV. DESC: ADD 706310-637 & 639 BOX	VERSION: 06	TDR: 000001180260
REV. LTR: F	REVISED: 11: 08: 56 10/26/2021	BY: RCGRWM
FILE: \RGG\00003\692		
MTL: -		

BALDOR - RELIANCE®

DIM SHT NEMA RL210-RL280 FL180-FL280 IEC RDL132-RDL180

422927-001



NOTE:
DATA TO BE SIZED
SO THAT IT FITS INTO
MATERIAL DECAL
DIMENSIONS. MAKE
LETTERS & NUMBERS
AS LARGE AS POSSIBLE.

MATERIAL: CERAMATIC DGF-P4
PERMA GRIP ADHESIVE

ALL LETTERS, NUMBERS
AND LINES TO BE BLACK
ON WHITE BACKGROUND.

422927-001

REV. DESC: CHANGE BACKGROUND COLOR FROM GOLD TO WHITE		
REV. LTR: B	VERSION: 02	TDR: 00000788708
FILE: \RGG\00000\203	REVISED: 08:09:29 03/04/2013	
MTL: -	BY: RGGWT	

BALDOR

EXTERNAL CONNECTION LABEL

SH 1 of 1