

**BALDOR • RELIANCE**

---

# Customer information packet

## IDVSM4314T

60HP, 1800RPM, 3PH, 60HZ, 364T, TEFC, FOOT,  
Class - None  
Division - Not Applicable

## Specifications

Enclosure	TEFC
Frame	364T
Frame Material	Iron
Frequency	60.00 Hz 90.00 Hz
Haz Area Class and Group	None
Haz Area Division	Not Applicable
Motor Letter Type	Three Phase
Output @ Frequency	60.000 HP @ 60 HZ 60.000 HP @ 90 HZ
Phase	3
Synchronous Speed @ Frequency	3000 RPM @ 90 HZ
Voltage @ Frequency	460.0 V @ 60 HZ 460.0 V @ 90 HZ 230.0 V @ 90 HZ 230.0 V @ 60 HZ
Agency Approvals	CCSA US
Ambient Temperature	40 °C
Auxillary Box	No Auxillary Box
Base Indicator	Rigid
Bearing Grease Type	Polyrex EM (-20F +300F)
Constant Torque Speed Range	1000:1
Current @ Voltage	71.200 A @ 460.0 V 69.100 A @ 460.0 V 142.000 A @ 230.0 V 138.000 A @ 230.0 V
Design Code	A
Drip Cover	No Drip Cover
Duty Rating	CONT
Feedback Device	NO FEEDBACK
Heater Indicator	No Heater
High Voltage Full Load Amps	69.1 a

## Part detail

Revision	L
Type	AC
Mech. spec.	
Base	
Status	PRD/A
Elec. spec.	A36WG0566
Layout	617431-412
Eff. date	09-27-2023
CD Diagram	416820-002
Poles	04
Leads	3#4,6#6
Proprietary	False
Created date	10-19-2010

<b>Insulation Class</b>	F
<b>Inverter Code</b>	Inverter Duty
<b>KVA Code</b>	J
<b>Lifting Lugs</b>	No Lifting Lugs
<b>Max Speed</b>	3600 rpm
<b>Motor Lead Quantity/Wire Size</b>	3 @ 4 AWG
<b>Motor Standards</b>	NEMA
<b>Motor Type</b>	A36062M
<b>Mounting Arrangement</b>	F1
<b>Number of Poles</b>	4
<b>Overall Length</b>	33.44 IN
<b>Pulley End Bearing Type</b>	Ball
<b>Pulley Face Code</b>	Standard
<b>Service Factor</b>	1.00
<b>Shaft Ground Indicator</b>	No Shaft Grounding
<b>Shaft Rotation</b>	Reversible
<b>Shaft Slinger Indicator</b>	No Slinger
<b>Speed</b>	1785 rpm 2675 rpm
<b>Speed Code</b>	Single Speed
<b>Starting Method</b>	Direct on line
<b>Thermal Device - Bearing</b>	None
<b>Thermal Device - Winding</b>	Normally Closed Thermostat

**Nameplate**

**000613007HV**

<b>CAT NO</b>	IDVSM4314T	<b>SPEC NO.</b>	P36G3221					
<b>SER.NO.</b>		<b>FRAME</b>	364T					
	<b>HP</b>	<b>RPM</b>	<b>VOLTS</b>	<b>AMPS</b>	<b>HZ</b>	<b>TYPE</b>	<b>P</b>	
<b>BASE</b>	60	1785	230/460	142/71.2	60	SF	1.00	
<b>MAX</b>	60	2675	230/460	138/69.1	90	<b>INSUL.CLASS</b>	F	
<b>DRIVE END BEARING</b>	65BC03J30X	<b>CONSTANT TORQUE</b>		<b>DUTY</b>	CONT	<b>AMB</b>	40	
<b>OPP D.E. BEARING</b>	65BC03J30X	1000 1	<b>ENCL</b>	TEFC	<b>PHASE</b>	3		
<b>DESIGN NO.</b>	A36WG0566-R002	<b>FLUX AMPS</b>	48.6/24.3		<b>VPWM INVERTER READY</b>			
<b>MAX SPEED/RPM</b>	3600	<b>OVERTEMP PROT</b>	2	<b>WK2</b>	14.32	<b>POLES</b>	4	<b>WEIGHT</b>

## Parts list

Part number	Description	Quantity
SA209352	SA P36G3221	1.000 ea
RA196614	RA P36G3221	1.000 ea
000613006PU	N/P (RELEASE QTY 10,000) UL CSA LABEL	1.000 ea
000613007HV	N/P BALDOR VSMaster	1.000 ea
000692000VD	LABEL WARNING	1.000 ea
421948032	LABEL, MYLAR	1.000 ea
004824015A	GREASE POLYREX EM	0.544 lb
032018008AK	HHCS 1/4-20X1 PLATED	4.000 ea
032018012DK	HHCS 1/2-13X1-1/2 PLTD. 032018012DR	4.000 ea
032018024CK	HHCS 3/8-16X3 PLTD.	3.000 ea
034180012DA	KEY 1X4X1/4X1-1/2 L	1.000 ea
034530052AB	P/NIP 1/8X6-1/2 Zinc	1.000 ea
034600001AA	BUSH 1/4TO1/8 BLACK	1.000 ea
078557001F	FAN KB 110/50 (60) 360	1.000 ea
078559001A	+FANCV - 360	1.000 ea
085922073B	BRKT 360 085922072WCC KB	1.000 ea
410700004F	WSHR	1.000 ea
415072001B	CLAMP	1.000 ea
415096002A	CPLG 1/8 HEX TYPE	1.000 ea
412118006A	DRAIN	1.000 ea
412118006A	DRAIN	1.000 ea
032018012DK	HHCS 1/2-13X1-1/2 PLTD. 032018012DR	4.000 ea
032018024CK	HHCS 3/8-16X3 PLTD.	3.000 ea
034600001AA	BUSH 1/4TO1/8 BLACK	1.000 ea
035000001G	GREASE RELIEF FITTING, ALEMITE 317400	1.000 ea
085922073B	BRKT 360 085922072WCC KB	1.000 ea
035000001G	GREASE RELIEF FITTING, ALEMITE 317400	1.000 ea
032018005AK	HHCS 1/4-20X5/8 PLATED	4.000 ea
032018008CK	HHCS 3/8-16X1L PLATED	4.000 ea
035000001A	ALFTG 1/8" 1610-BL	1.000 ea
035000001A	ALFTG 1/8" 1610-BL	1.000 ea

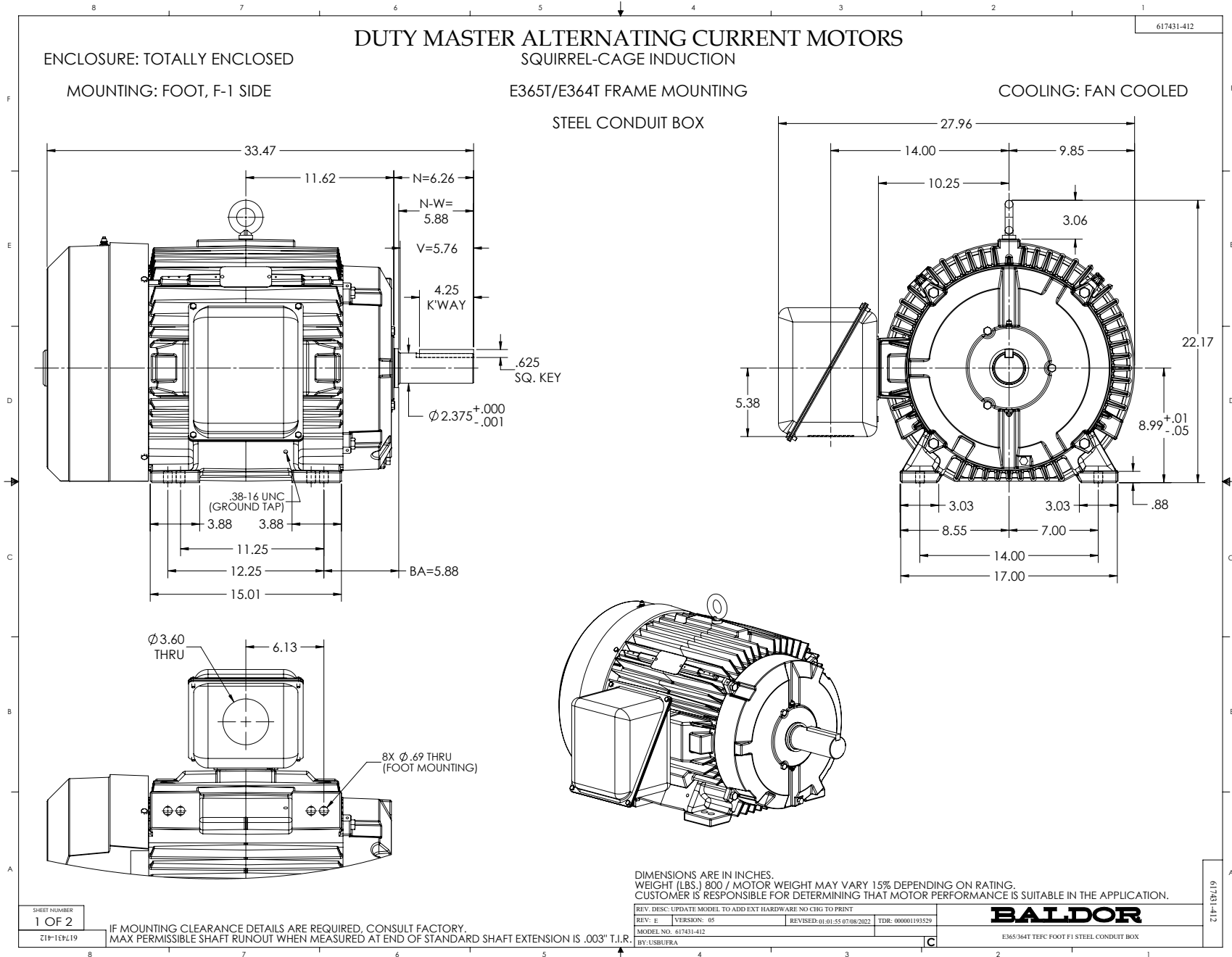
043292000AJ	GASK 320-400	1.000 ea
077176000L	C/BOX, PAINTED 440	1.000 ea
077176001A	CBOXC, PAINTED 360-400	1.000 ea
402731001A	GASK 360-440	1.000 ea
406099000A	PLUG - FAN COVER 320-440	1.000 ea
415000115H	T/LUG #2AWG-4/0AWG	1.000 ea
418150003A	GREASE FITTING CAP	1.000 ea
033775004EA	DRSCR #6-1/4 304 S.S.	2.000 ea
418150003A	GREASE FITTING CAP	1.000 ea
034180034HA	KEY 5/8X5/8X4-1/4 L	1.000 ea
032018005DL	1/2-13 X 5/8 SILICON BRONZE HHCS	1.000 ea
MG1025N19	WILKO 778.50 BLUE GREEN - 55 GAL DRUMS	0.250 ga
004824003CBY	WILKO PAINT 060.02 - ACTIVATOR	0.063 ga
14PA1000	PACKAGING 314 GROUP COMBINED PRINT	1.000 ea











617431-412

ENCLOSURE: TOTALLY ENCLOSED

MOUNTING: FOOT, F-1 SIDE

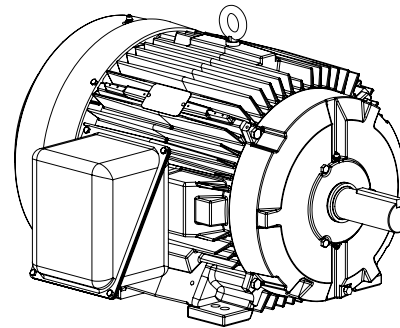
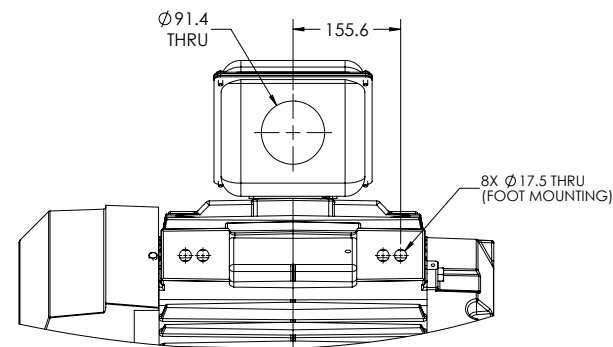
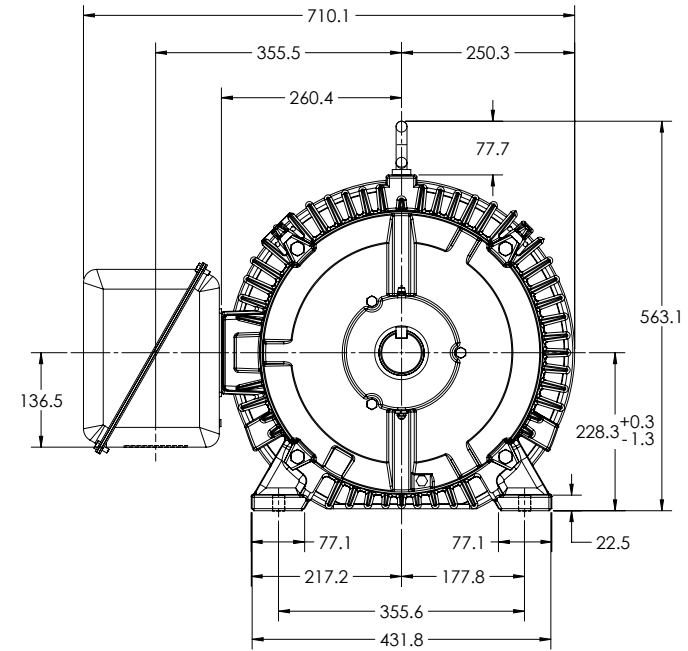
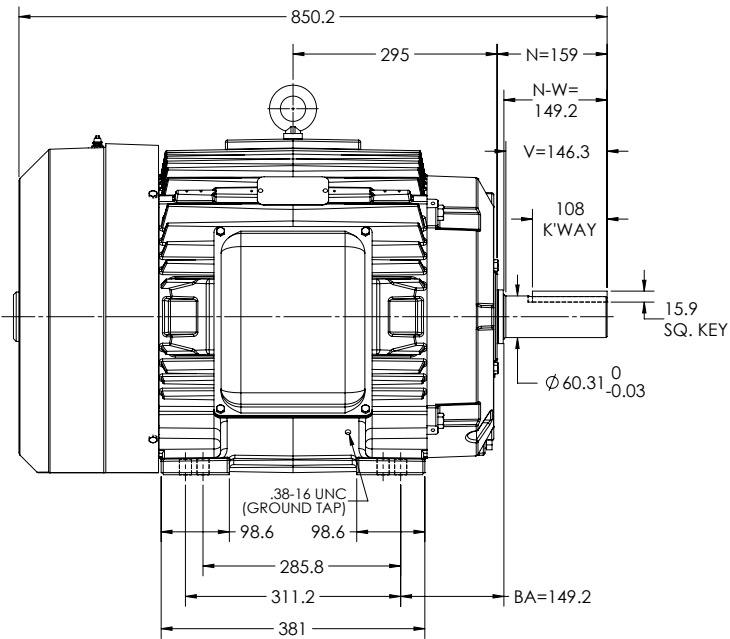
### DUTY MASTER ALTERNATING CURRENT MOTORS

SQUIRREL-CAGE INDUCTION

E365T/E364T FRAME MOUNTING

COOLING: FAN COOLED

STEEL CONDUIT BOX



DIMENSIONS ARE IN MILLIMETERS.  
 WEIGHT (KG) 362 / MOTOR WEIGHT MAY VARY 15% DEPENDING ON RATING.  
 CUSTOMER IS RESPONSIBLE FOR DETERMINING THAT MOTOR PERFORMANCE IS SUITABLE IN THE APPLICATION.

SHEET NUMBER  
**2 OF 2**

IF MOUNTING CLEARANCE DETAILS ARE REQUIRED, CONSULT FACTORY.  
 MAX PERMISSIBLE SHAFT RUNOUT WHEN MEASURED AT END OF STANDARD SHAFT EXTENSION IS .08 T.I.R.

REV. DESC: UPDATE MODEL TO ADD EXT HARDWARE NO CHG TO PRINT			
REV: E	VERSION: 05	REVISED: 01-01-55 07/08/2022	TDR: 000001193529
MODEL NO. 617431-412			
BY: USBUFRA			

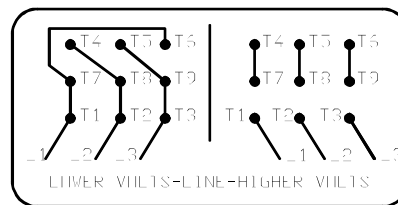
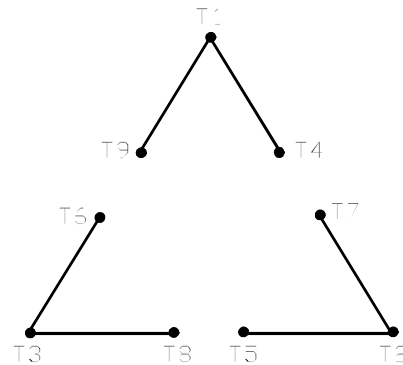
**BALDOR**

E365/364T TEFC FOOT F1 STEEL CONDUIT BOX

617431-412

416820-002

A-C MOTOR  
 CONNECTION DIAGRAM  
 STANDARD 9 LEAD DELTA-CONNECTED



(N.P. 1575-B)

416820-002

REV. DESC: FONT CHANGE FOR PDF SEARCHABLE		
REV. LTR: A	VERSION: 01	TDR: 000001009382
FILE: \MGA\00000\661	REVISED: 02:46:19 02/13/2020	BY: MGHMTT
MTL: -	© □	

**BALDOR - RELIANCE®**

CONN DIAG - STANDARD 9 LEAD, DELTA-CONNECTED

SH 1 of 1