

BALDOR • RELIANCE

Customer information packet

IDVSM4400T-4

100HP, 1785-2680RPM, 3PH, 60-90HZ, 405T, A400

Class - None

Division - Not Applicable

Copyright © All product information within this document is subject to ABB Motors and Mechanical Inc. copyright © protection, unless otherwise noted.

3/1/2024 6:20:37 PM

Specifications

Enclosure	TEFC
Frame	405T
Frame Material	Iron
Frequency	60.00 Hz 90.00 Hz
Motor Letter Type	Three Phase
Output @ Frequency	100.000 HP @ 90 HZ 100.000 HP @ 60 HZ
Phase	3
Synchronous Speed @ Frequency	1800 RPM @ 60 HZ
Voltage @ Frequency	460.0 V @ 60 HZ 460.0 V @ 90 HZ
XP Class and Group	None
XP Division	Not Applicable
Agency Approvals	CCSA US
Ambient Temperature	40 °C
Auxillary Box	No Auxillary Box
Base Indicator	Rigid
Bearing Grease Type	Polyrex EM (-20F +300F)
Constant Torque Speed Range	1000:1
Current @ Voltage	112.000 A @ 460.0 V 115.000 A @ 460.0 V
Design Code	A
Drip Cover	No Drip Cover
Duty Rating	CONT
Efficiency @ 100% Load	94.1 %
Feedback Device	NO FEEDBACK
Heater Indicator	No Heater
High Voltage Full Load Amps	112.0 a
Insulation Class	F
Inverter Code	Inverter Duty
KVA Code	L

Part detail

Revision	J
Type	AC
Mech. spec.	
Base	
Status	PRD/A
Elec. spec.	A40WGO296
Layout	617429-201
Eff. date	09-12-2023
CD Diagram	416820-036
Poles	04
Leads	3#1
Proprietary	False
Created date	07-17-2013

Lifting Lugs	Standard Lifting Lugs
Max Speed	3600 rpm
Motor Lead Quantity/Wire Size	3 @ 1 AWG
Motor Standards	NEMA
Motor Type	A40064M
Mounting Arrangement	F1
Number of Poles	4
Overall Length	38.04 IN
Power Factor	86
Product Family	General Industrial
Pulley End Bearing Type	Ball
Pulley Face Code	Standard
Service Factor	1.00
Shaft Ground Indicator	No Shaft Grounding
Shaft Rotation	Reversible
Shaft Slinger Indicator	No Slinger
Speed	1785 rpm 2680 rpm
Speed Code	Single Speed
Starting Method	Direct on line
Thermal Device - Bearing	None
Thermal Device - Winding	Normally Closed Thermostat

Nameplate

000613007HV

CAT NO	IDVSM4400T-4		SPEC NO.	P40G3932				
SER.NO.			FRAME	405T				
	HP	RPM	VOLTS	AMPS	HZ	TYPE	P	
BASE	100	1785	460	115	60	SF	1.00	
MAX	100	2680	460	112.	90	INSUL.CLASS	F	
DRIVE END BEARING	80BC03J30X		CONSTANT TORQUE	DUTY	CONT	AMB	40	
OPP D.E. BEARING	80BC03J30X		1000:1	ENCL	TEFC	PHASE	3	
DESIGN NO.	A40WG0296-R002		FLUX AMPS	37.8		VPWM INVERTER READY		
MAX SPEED/RPM	3600	OVERTEMP PROT	2	WK2	26.07	POLES	4	WEIGHT

Parts list

Part number	Description	Quantity
SA267721	SA P40G3932	1.000 ea
RA254391	RA P40G3932	1.000 ea
000613006PU	N/P (RELEASE QTY 10,000) UL CSA LABEL	1.000 ea
000613007HV	N/P BALDOR VSMMASTER	1.000 ea
000692000FF	N/P	1.000 ea
000692000VD	LABEL WARNING	1.000 ea
412118006A	DRAIN	2.000 ea
004824015A	GREASE POLYREX EM	0.884 lb
032018010CK	HHCS 3/8-16X1-1/4 PLTD. 032018010CR	4.000 ea
032018020EK	HHCS 5/8-11X2-1/2 PLTD.	4.000 ea
032018024CK	HHCS 3/8-16X3 PLTD.	3.000 ea
034000014AB	WSH ID.406 OD.812 TH.065	4.000 ea
034180008DA	KEY 1/4X1/4X1 L (shipping)	1.000 ea
034530052AB	P/NIP 1/8X6-1/2 Zinc	1.000 ea
034530056BB	P/NIP 1/4X7 SCHED 40	1.000 ea
034692005AA	P PLUG 3/4"BLK.	1.000 ea
034690001AB	1/8" NPT SQHDPLG	1.000 ea
034631002AB	BUSH 1/4 TO 1/8 PLTD.	1.000 ea
083198101A	G400 STD FAN COVER MACHINING	1.000 ea
089412501A	BRKT FTMT G400 FIN MACH 6316 89412500WCA	1.000 ea
410700000DA	WAVY SPRING WASHER	1.000 ea
415096002A	CPLG 1/8 HEX TYPE	1.000 ea
702618004T	FAN KB 182/70 (112) 440	1.000 ea
032018020EK	HHCS 5/8-11X2-1/2 PLTD.	4.000 ea
032018024CK	HHCS 3/8-16X3 PLTD.	3.000 ea
034690002AB	PPLG 1/4" PLTD.	1.000 ea
089412501A	BRKT FTMT G400 FIN MACH 6316 89412500WCA	1.000 ea
032018005AK	HHCS 1/4-20X5/8 PLATED	4.000 ea
032018008CK	HHCS 3/8-16X1L PLATED	4.000 ea
043292000AJ	GASK 320-400	1.000 ea
077176000L	C/BOX, PAINTED 440	1.000 ea

077176001A	CBOXC, PAINTED 360-400	1.000 ea
402731001A	GASK 360-440	1.000 ea
406099000A	PLUG - FAN COVER 320-440	1.000 ea
415000115H	T/LUG #2AWG-4/0AWG	1.000 ea
418150003A	GREASE FITTING CAP	1.000 ea
418150003A	GREASE FITTING CAP	1.000 ea
035000001A	ALFTG 1/8" 1610-BL	1.000 ea
035000001A	ALFTG 1/8" 1610-BL	1.000 ea
033775004EA	DRSCR #6-1/4 304 S.S.	2.000 ea
034180044JA	KEY 3/4X3/4X5-1/2 L	1.000 ea
MG1025N19	WILKO 778.50 BLUE GREEN - 55 GAL DRUMS	0.375 ga
004824003CBY	WILKO PAINT 060.02 - ACTIVATOR	0.063 ga
421948051	LABEL, MYLAR	1.000 ea
032018005DL	1/2-13 X 5/8 SILICON BRONZE HHCS	1.000 ea
PK5004A02	WOOD BASE 40X32 STACK 2X4 RUNNER	1.000 ea

617429-201

DUTY MASTER ALTERNATING CURRENT MOTORS

SQUIRREL-CAGE INDUCTION

ENCLOSURE: TOTALLY ENCLOSED

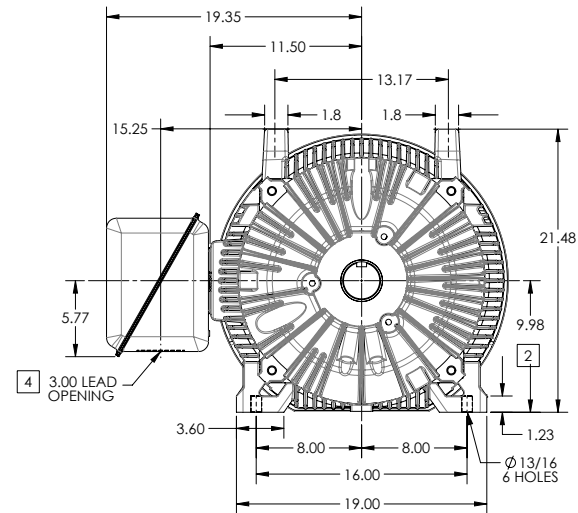
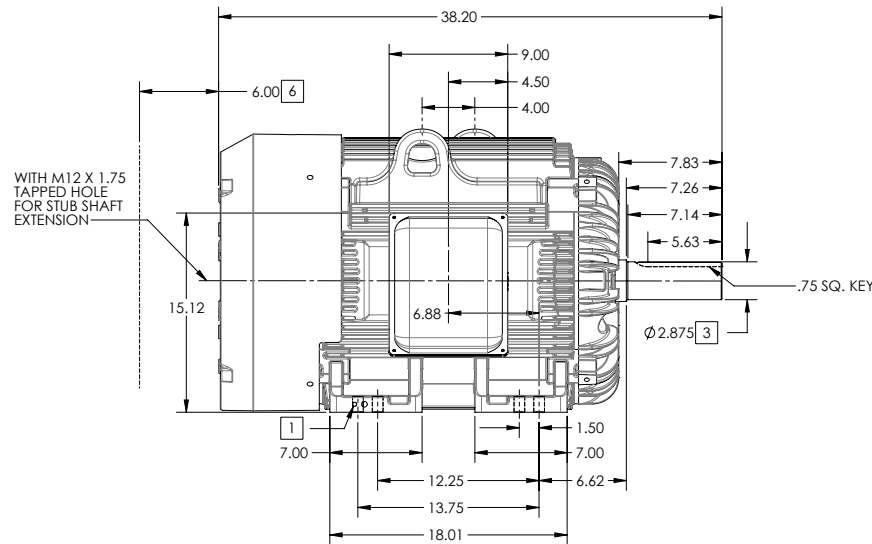
FRAME G405T ABOVE NEMA RATINGS

COOLING: FAN COOLED

MOUNTING: FOOT

INCLUDES 404T FRAME MOUNTING HOLES

STANDARD INDUSTRIAL/ IDVSM ENCLOSURE



1. GROUND HOLES QTY 1 1/2-13 TAP; QTY 1 3/8-16 TAP
2. VARIES +.00,-.06
3. VARIES +.00,-.001
4. ON STANDARD MOTORS THIS IS CONDUIT SIZE. ON XT AND CORROSION PROOF MOTOR THIS IS PIPE TAP.
5. MOTOR WEIGHTS MAY VARY BY 15% DEPENDING ON RATING.
6. OBSTRUCTION MUST NOT ENCROACH ON AIR INLET

[5] WEIGHT (LBS): 1350

CONDUIT BOX LOCATED ON OPPOSITE SIDE WHEN F-2. IF MOUNTING CLEARANCE DETAILS ARE REQUIRED, CONSULT FACTORY. MAXIMUM PERMISSIBLE SHAFT RUNOUT WHEN MEASURED AT END OF STANDARD SHAFT EXTENSION IS .003" T.I.R. TO 5 INCH DIA.

DIMENSIONS ARE IN INCHES; SEE SHEET 2 FOR DIMENSIONS IN MILLIMETERS

CUSTOMER IS RESPONSIBLE FOR DETERMINING THAT MOTOR PERFORMANCE IS SUITABLE IN THE APPLICATION.

SHEET NUMBER
1 OF 2

10C-627219

REV. DESC: PUTTING RIGHT SHAFT 616502380RA IN MODEL	TDR: 00000850156
REV: C VERSION: 03 REVISED: 10-59-13 04/24/2014	REF:
MODEL NO. 617429-201	REF:
BY: RAGSS1 Material:	

BALDOR

G405T/404T STD - FOOTED - STANDARD INDUSTRIAL/IDVSM ENCLOSURE

617429-201

617429-201

DUTY MASTER ALTERNATING CURRENT MOTORS

SQUIRREL-CAGE INDUCTION

ENCLOSURE: TOTALLY ENCLOSED

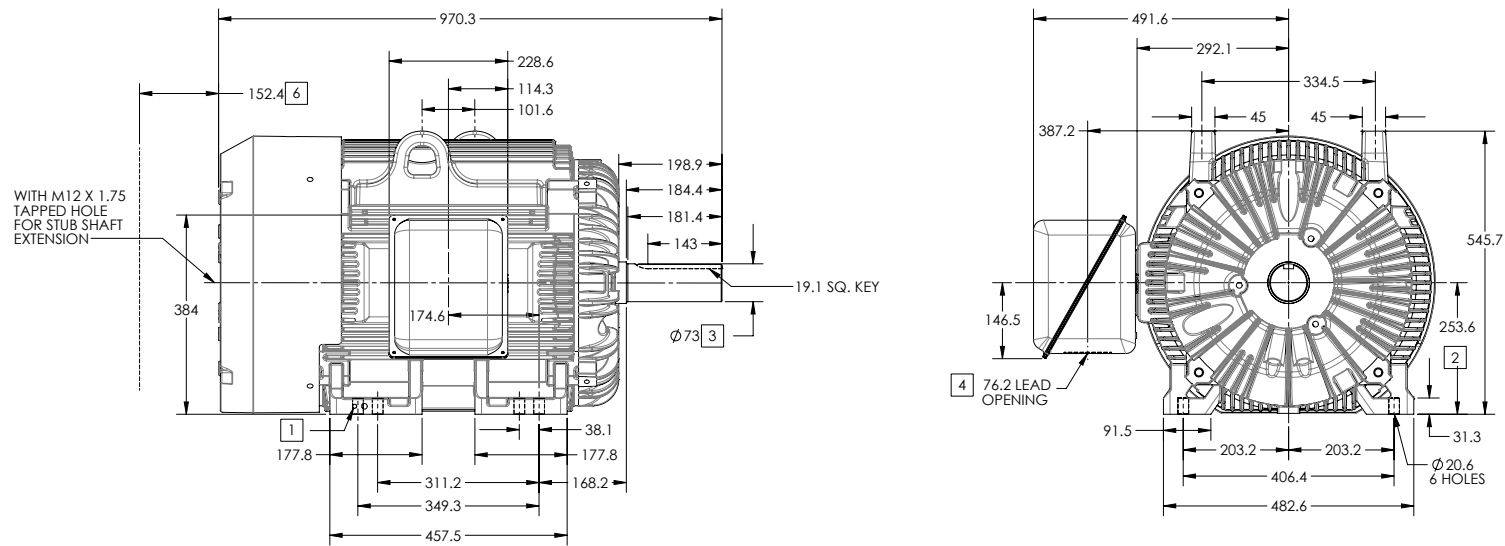
FRAME G405T ABOVE NEMA RATINGS

COOLING: FAN COOLED

MOUNTING: FOOT

INCLUDES 404T FRAME MOUNTING HOLES

STANDARD INDUSTRIAL/IDVSM ENCLOSURE



WITH M12 X 1.75 TAPPED HOLE FOR STUB SHAFT EXTENSION

- 1. GROUND HOLES QTY 1 1/2-13 TAP; QTY 1 3/8-16 TAP
- 2. VARIES +0,-1.5
- 3. VARIES +00,-.03
- 4. ON STANDARD MOTORS THIS IS CONDUIT SIZE. ON XT AND CORROSION PROOF MOTOR THIS IS PIPE TAP.
- 5. MOTOR WEIGHTS MAY VARY BY 15% DEPENDING ON RATING.
- 6. OBSTRUCTION MUST NOT ENCROACH ON AIR INLET

[5] WEIGHT (KGS): 620

CONDUIT BOX LOCATED ON OPPOSITE SIDE WHEN F-2. IF MOUNTING CLEARANCE DETAILS ARE REQUIRED, CONSULT FACTORY. MAXIMUM PERMISSIBLE SHAFT RUNOUT WHEN MEASURED AT END OF STANDARD SHAFT EXTENSION IS .08 MM T.I.R. TO 127 MM DIA.

DIMENSIONS ARE IN MILLIMETERS; SEE SHEET 1 FOR DIMENSIONS IN INCHES

CUSTOMER IS RESPONSIBLE FOR DETERMINING THAT MOTOR PERFORMANCE IS SUITABLE IN THE APPLICATION.

SHEET NUMBER
2 OF 2

10C-627219

REV. DESC: PUTTING RIGHT SHAFT 616502380RA IN MODEL	TDR: 00000850156
REV: C VERSION: 03 REVISED: 10-59-13 04/24/2014	REF:
MODEL NO. 617429-201	REF:
BY: RAGSS1 Material:	C

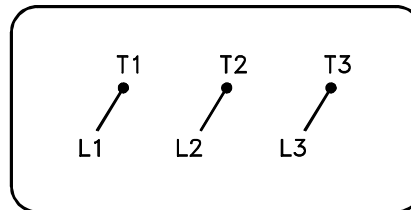
BALDOR

G405T/404T STD - FOOTED - STANDARD INDUSTRIAL/IDVSM ENCLOSURE

617429-201

416820-036

A-C MOTOR
CONNECTION DIAGRAM
STANDARD 3 LEAD CONNECTED



(N.P. 1575-BA)

416820-036

REV. DESC: LOADED TO BUS, C/R 335225		
REV. LTR: -	VERSION: 00	TDR: 000000538207
FILE: \MGA\00000\682	REVISED: 11: 54: 06 04/30/2010	
MTL: -	BY: RAGRA	

BALDOR

CONN DIAG - STANDARD 3 LEAD
SH 1 of 1