

BALDOR • RELIANCE

Customer information packet

IDVSM4408T-4

250HP, 1790-2685RPM, 3PH, 60-90HZ, 449T, A441

Class - None

Division - Not Applicable

Copyright © All product information within this document is subject to ABB Motors and Mechanical Inc. copyright © protection, unless otherwise noted.

3/1/2024 7:06:53 PM

Specifications

Enclosure	TEFC
Frame	449T
Frame Material	Iron
Frequency	60.00 Hz 90.00 Hz
Motor Letter Type	Three Phase
Output @ Frequency	250.000 HP @ 90 HZ 250.000 HP @ 60 HZ
Phase	3
Synchronous Speed @ Frequency	1800 RPM @ 60 HZ
Voltage @ Frequency	460.0 V @ 60 HZ 460.0 V @ 90 HZ
XP Class and Group	None
XP Division	Not Applicable
Agency Approvals	CCSA US
Ambient Temperature	40 °C
Auxillary Box	No Auxillary Box
Base Indicator	Rigid
Bearing Grease Type	Polyrex EM (-20F +300F)
Constant Torque Speed Range	1000:1
Current @ Voltage	272.000 A @ 460.0 V 277.000 A @ 460.0 V
Design Code	A
Drip Cover	No Drip Cover
Duty Rating	CONT
Efficiency @ 100% Load	95.8 %
Feedback Device	NO FEEDBACK
Heater Indicator	No Heater
High Voltage Full Load Amps	272.0 a
Insulation Class	F
Inverter Code	Inverter Duty
KVA Code	L

Part detail

Revision	L
Type	AC
Mech. spec.	
Base	
Status	PRD/A
Elec. spec.	A44WG0225
Layout	617427-003
Eff. date	09-12-2023
CD Diagram	416820-036
Poles	04
Leads	3#2/0 (02 per group) Y
Proprietary	False
Created date	08-24-2012

Lifting Lugs	Standard Lifting Lugs
Max Speed	3600 rpm
Motor Lead Quantity/Wire Size	6 @ 2/0 AWG
Motor Standards	NEMA
Motor Type	A44128M
Mounting Arrangement	F1
Number of Poles	4
Overall Length	53.24 IN
Power Factor	87
Pulley End Bearing Type	Ball
Pulley Face Code	Standard
Service Factor	1.00
Shaft Ground Indicator	No Shaft Grounding
Shaft Rotation	Reversible
Shaft Slinger Indicator	No Slinger
Speed	1790 rpm 2685 rpm
Speed Code	Single Speed
Starting Method	Direct on line
Thermal Device - Bearing	None
Thermal Device - Winding	Normally Closed Thermostat

Nameplate

000613007HV										
CAT NO	IDVSM4408T-4		SPEC NO.		P44G4011					
SER.NO.			FRAME		449T					
	HP	RPM	VOLTS	AMPS	HZ	TYPE	P			
BASE	250	1790	460	277	60	SF	1.00			
MAX	250	2685	460	272	90	INSUL.CLASS		F		
DRIVE END BEARING	90BC03J30X		CONSTANT TORQUE		DUTY	CONT	AMB	40		
OPP D.E. BEARING	6318C3VL0241		1000:1		ENCL	TEFC	PHASE	3		
DESIGN NO.	A44WG0225-R001		FLUX AMPS		83.3		VPWM INVERTER READY			
MAX SPEED/RPM	3600		OVERTEMP PROT		2	WK2	84.1	POLES	4	WEIGHT

Parts list

Part number	Description	Quantity
SA254358	SA P44G4011	1.000 ea
RA241166	RA P44G4011	1.000 ea
000692000FF	N/P	1.000 ea
000692000VD	LABEL WARNING	1.000 ea
000613007HV	N/P BALDOR VSMMASTER	1.000 ea
421948051	LABEL, MYLAR	1.000 ea
412118006A	DRAIN	2.000 ea
004824015A	GREASE POLYREX EM	1.160 lb
032018008CK	HHCS 3/8-16X1L PLATED	4.000 ea
032018020FK	HHCS 3/4-10X2-1/2 PLTD.	4.000 ea
032018030DK	HHCS 1/2-13X3-3/4 PLTD.	3.000 ea
032620016LA	SOCKET SET SCREW-449	3.000 ea
032018030DK	HHCS 1/2-13X3-3/4 PLTD.	3.000 ea
034017014AB	LCKW 3/8 STD. PLATED	4.000 ea
034180014DA	KEY 1/4X1/4X1-3/4 L	1.000 ea
034530072AB	P/NIP 1/8X9"L Threaded both ends	1.000 ea
035000001A	ALFTG 1/8" 1610-BL	1.000 ea
034690002AB	PPLG 1/4" PLTD.	1.000 ea
034690005AB	PPLG 3/4 PLATED	2.000 ea
089490099A	G28 BRKT 089490098WCA KB	1.000 ea
702618004T	FAN KB 182/70 (112) 440	1.000 ea
083199082RA	G28 SHORT FAN COVER W/BAFFLE ASSEMBLY	1.000 ea
089490099A	G28 BRKT 089490098WCA KB	1.000 ea
410700004A	WSHR	1.000 ea
415072001B	CLAMP	1.000 ea
415096002A	CPLG 1/8 HEX TYPE	1.000 ea
032018004BK	HHCS 5/16-18X1/2 PLATED	3.000 ea
032018006BK	HHCS 5/16-18X3/4 PLATED	3.000 ea
702623022A	G28 AIR DEFLECTOR DRIVE END -- PLASTIC	1.000 ea
032018020FK	HHCS 3/4-10X2-1/2 PLTD.	4.000 ea
034017013AB	LCKW 5/16 STD. PLATED	3.000 ea

034530072AB	P/NIP 1/8X9"L Threaded both ends	1.000 ea
035000001A	ALFTG 1/8" 1610-BL	1.000 ea
034690002AB	PPLG 1/4" PLTD.	1.000 ea
415096002A	CPLG 1/8 HEX TYPE	1.000 ea
418151014G	RETAIN RING	1.000 ea
702623013A	THERMAL BARRIER -- G28 -- BRACKET MTD	1.000 ea
032018008DK	HHCS 1/2-13X1 PLATED	4.000 ea
415915007G	GASK, LAC	1.000 ft
033512004LB	HHTTS 1/4-20X1/2 PLTD.	1.000 ea
033512006LB	HHTTS 1/4-20X3/4 PLTD.	8.000 ea
406056008A	GASKET, TERBD 440	1.000 ea
406099000A	PLUG - FAN COVER 320-440	1.000 ea
415000103D	T/LUG #4AWG-1/0AWG W/HOLE FOR .250 BOLT	1.000 ea
418153001A	GASK 440	1.000 ea
702658001B	+C/BOX, PAINTED 440	1.000 ea
702658002A	+C/BOX CVR, PAINTED 440	1.000 ea
033775004EA	DRSCR #6-1/4 304 S.S.	2.000 ea
034180054KA	7/8 SQ X 6.75 KEY	1.000 ea
PK5005A01	WOOD BASE 449 60 X 41-1/2 BLT 25 X 18	1.000 ea
MG1025N19	WILKO 778.50 BLUE GREEN - 55 GAL DRUMS	0.500 ga
000613006PU	N/P (RELEASE QTY 10,000) UL CSA LABEL	1.000 ea

617427-003

DUTY MASTER ALTERNATING CURRENT MOTORS

SQUIRREL-CAGE INDUCTION

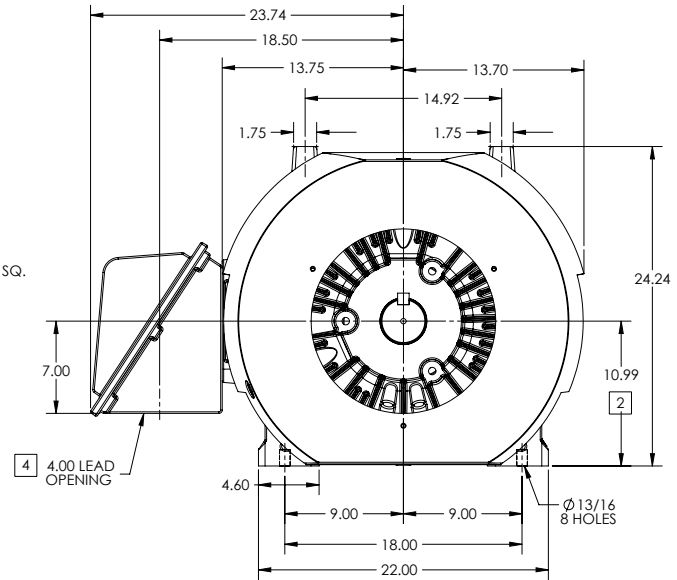
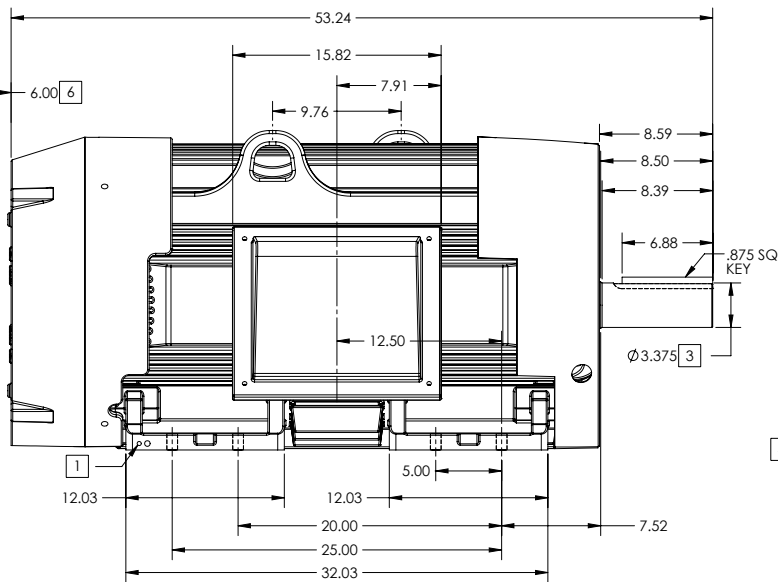
ENCLOSURE: TOTALLY ENCLOSED

FRAME 449T ABOVE NEMA RATINGS (1800 RPM MAX)

COOLING: FAN COOLED

MOUNTING: FOOT

INCLUDES 447T FRAME MOUNTING HOLES



1. GROUND HOLES QTY 1 1/2-13 TAP; QTY 1 3/8-16 TAP
2. VARIES +.00,-.06
3. VARIES +.00,-.001
4. ON STANDARD MOTORS THIS IS CONDUIT SIZE. ON XT AND CORROSION PROOF MOTOR THIS IS PIPE TAP.
5. MOTOR WEIGHTS MAY VARY BY 1.5% DEPENDING ON RATING.
6. OBSTRUCTION MUST NO ENCROACH ON AIR INLET

CONDUIT BOX LOCATED ON OPPOSITE SIDE WHEN F-2.
IF MOUNTING CLEARANCE DETAILS ARE REQUIRED, CONSULT FACTORY.
MAXIMUM PERMISSIBLE SHAFT RUNOUT WHEN MEASURED AT END OF STANDARD SHAFT EXTENSION IS .003" T.I.R. TO 5 INCH DIA.

5 WEIGHT (LBS): 3080

DRIVE END AIR DEFLECTOR IS ONLY INCLUDED WHEN NECESSARY.

DIMENSIONS ARE IN INCHES; SEE SHEET 2 FOR DIMENSIONS IN MILLIMETERS

CUSTOMER IS RESPONSIBLE FOR DETERMINING THAT MOTOR PERFORMANCE IS SUITABLE IN THE APPLICATION.

SHEET NUMBER
1 OF 2

E007-272119

REV. DESC: NEW DRAWING	VERSION: 02	REVISED: 11.32.34 10/23/2017	TDR: 000001048162
MODEL NO. 617427-003	BY: RAGRA		

BALDOR

G449T-447T STD - FOOTED - SIDE CENTER C/B

617427-003

617427-003

DUTY MASTER ALTERNATING CURRENT MOTORS

SQUIRREL-CAGE INDUCTION

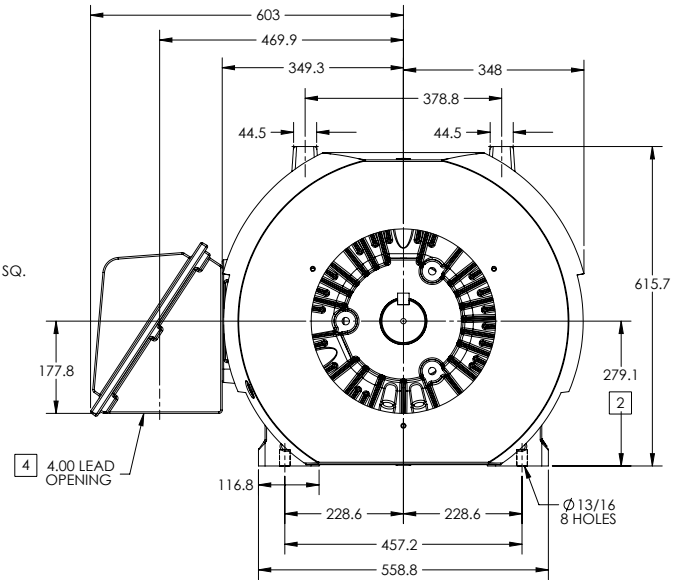
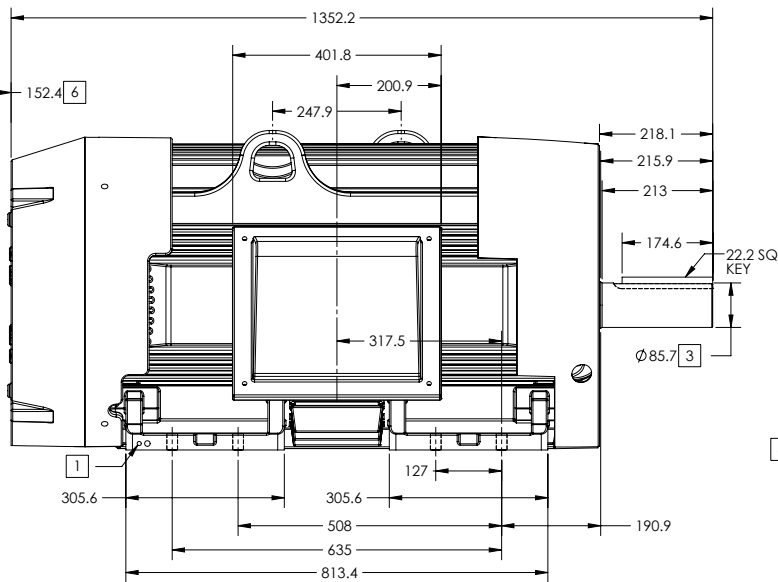
ENCLOSURE: TOTALLY ENCLOSED

FRAME 449T ABOVE NEMA RATINGS (1800 RPM MAX)

COOLING: FAN COOLED

MOUNTING: FOOT

INCLUDES 447T FRAME MOUNTING HOLES



1. GROUND HOLES QTY 1 1/2-13 TAP; QTY 1 3/8-16 TAP
2. VARIES +.00,-.06
3. VARIES +.000,-.001
4. ON STANDARD MOTORS THIS IS CONDUIT SIZE. ON XT AND CORROSION PROOF MOTOR THIS IS PIPE TAP.
5. MOTOR WEIGHTS MAY VARY BY 15% DEPENDING ON RATING.
6. OBSTRUCTION MUST NO ENCROACH ON AIR INLET

CONDUIT BOX LOCATED ON OPPOSITE SIDE WHEN F-2.
IF MOUNTING CLEARANCE DETAILS ARE REQUIRED, CONSULT FACTORY.
MAXIMUM PERMISSIBLE SHAFT RUNOUT WHEN MEASURED AT END OF
STANDARD SHAFT EXTENSION IS .08 MM T.I.R. TO 127 MM DIA.

[5] WEIGHT (KGS): 1400

DRIVE END AIR DEFLECTOR IS ONLY INCLUDED WHEN NECESSARY.

DIMENSIONS ARE IN MILLIMETERS; SEE SHEET 1 FOR DIMENSIONS IN INCHES

CUSTOMER IS RESPONSIBLE FOR DETERMINING THAT MOTOR PERFORMANCE IS SUITABLE IN THE APPLICATION.

SHEET NUMBER
2 OF 2

E007-LZF-119

REV. DESC: NEW DRAWING	VERSION: 02	REVISED: 11-32-36 10/23/2017	TDR: 000001048162
MODEL NO. 617427-003	BY: RAGRA		

BALDOR

G449T-447T STD - FOOTED - SIDE CENTER C/B

617427-003

416820-036

A-C MOTOR
CONNECTION DIAGRAM
STANDARD 3 LEAD CONNECTED



(N.P. 1575-BA)

416820-036

REV. DESC: LOADED TO BUS, C/R 335225		
REV. LTR: -	VERSION: 00	TDR: 000000538207
FILE: \MGA\00000\682	REVISED: 11:54:06 04/30/2010	
MTL: -	BY: RAGRA	

BALDOR

CONN DIAG - STANDARD 3 LEAD
SH 1 of 1