



---

# Customer information packet

## IDVSNM3584T-5

1.5HP, 1750RPM, 3PH, 60HZ, 145TC, 0532M, TENV

Class - None

Division - Not Applicable

## Specifications

Enclosure	TENV
Frame	145TC
Frame Material	Iron
Frequency	60.00 Hz
Motor Letter Type	Three Phase
Output @ Frequency	1.500 HP @ 60 HZ
Phase	3
Synchronous Speed @ Frequency	1800 RPM @ 60 HZ
Voltage @ Frequency	575.0 V @ 60 HZ
XP Class and Group	None
XP Division	Not Applicable
Agency Approvals	UR CSA
Ambient Temperature	40 °C
Auxillary Box	No Auxillary Box
Auxillary Box Lead Termination	None
Base Indicator	Rigid
Bearing Grease Type	Polyrex EM (-20F +300F)
Blower	None
Current @ Voltage	1.700 A @ 575.0 V
Design Code	B
Drip Cover	No Drip Cover
Duty Rating	CONT
Efficiency @ 100% Load	86.5 %
Electrically Isolated Bearing	Not Electrically Isolated
Feedback Device	NO FEEDBACK
Front Face Code	Encoder/Feedback Device
Front Shaft Indicator	None
Heater Indicator	No Heater
High Voltage Full Load Amps	1.7 a
Insulation Class	F
Inverter Code	Inverter Duty

## Part detail

Revision	S
Type	AC
Mech. spec.	05E534
Base	
Status	PRD/A
Elec. spec.	05WGX041
Layout	05LYE534
Eff. date	04-20-2020
CD Diagram	CD0006
Poles	04
Leads	3#18
Proprietary	False
Created date	04-04-2008

<b>KVA Code</b>	L
<b>Lifting Lugs</b>	No Lifting Lugs
<b>Locked Bearing Indicator</b>	Locked Bearing
<b>Max Speed</b>	5000 rpm
<b>Motor Lead Exit</b>	Ko Box
<b>Motor Lead Quantity/Wire Size</b>	3 @ 18 AWG
<b>Motor Lead Termination</b>	Flying Leads
<b>Motor Standards</b>	NEMA
<b>Motor Type</b>	0532M
<b>Mounting Arrangement</b>	F1
<b>Number of Poles</b>	4
<b>Overall Length</b>	14.65 IN
<b>Power Factor</b>	77
<b>Product Family</b>	General Purpose
<b>Pulley End Bearing Type</b>	Ball
<b>Pulley Face Code</b>	C-Face
<b>Pulley Shaft Indicator</b>	Standard
<b>Rodent Screen</b>	None
<b>Service Factor</b>	1.00
<b>Shaft Diameter</b>	0.875 IN
<b>Shaft Extension Location</b>	Pulley End
<b>Shaft Ground Indicator</b>	No Shaft Grounding
<b>Shaft Rotation</b>	Reversible
<b>Shaft Slinger Indicator</b>	No Slinger
<b>Speed</b>	1750 rpm
<b>Speed Code</b>	Single Speed
<b>Starting Method</b>	Direct on line
<b>Thermal Device - Bearing</b>	None
<b>Thermal Device - Winding</b>	Normally Closed Thermostat
<b>Vibration Sensor Indicator</b>	No Vibration Sensor
<b>Winding Thermal 1</b>	None
<b>Winding Thermal 2</b>	None

**Nameplate**

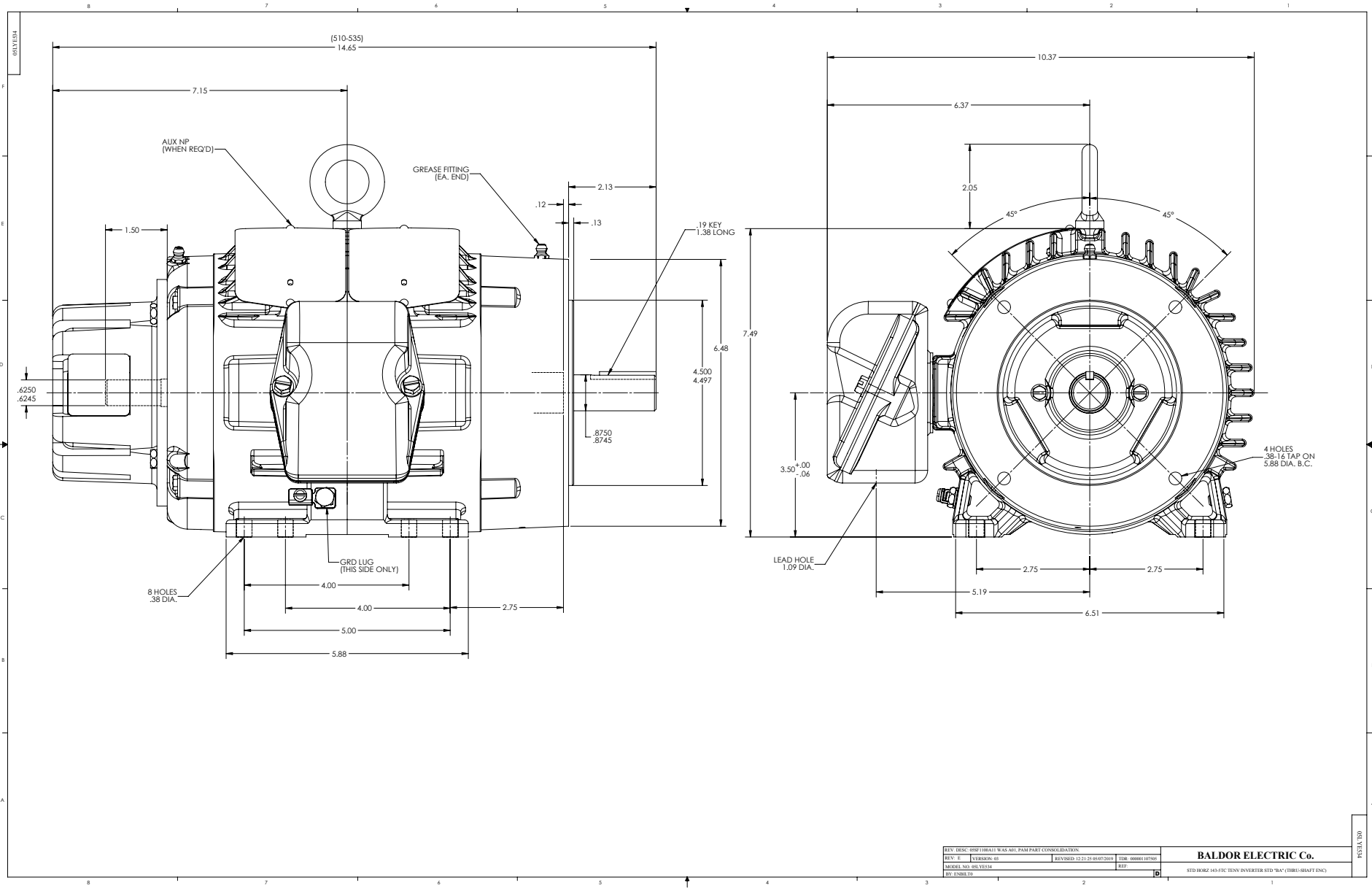
<b>NP3302L</b>			
<b>CAT NO</b>	IDVSNM3584T-5		
<b>SPEC.</b>	05E534X041G1		
<b>FRAME</b>	145TC	<b>HP</b>	1.5 TE
<b>VOLTS</b>	575		
<b>MAG CUR</b>	.9	<b>FLA</b>	1.7
<b>RPM</b>	1750	<b>RPM MAX</b>	5000
<b>HZ</b>	60	<b>PH</b>	3 <b>CLASS</b> F
<b>SER.F.</b>	1.00	<b>SL HZ</b>	1.7
<b>NEMA-NOM-EFF</b>	86.5	<b>WK2</b>	0.19
<b>RATING</b>	40C AMB-CONT		
<b>DE BRG</b>	6205	<b>ODE BRG</b>	6203
<b>CC</b>	010A	<b>SN</b>	

## Parts list

Part number	Description	Quantity
SA170173	SA 05E534X041G1	1.000 ea
RA158424	RA 05E534X041G1	1.000 ea
LB1115N	LABEL,LIFTING DEVICE (ON ROLLS)	1.000 ea
HW3201A05	3/8-16 EYEBOLT	1.000 ea
WD1000B16	T&B CX70TN OR L70P TERMINAL LUG	1.000 ea
10XN2520A06	1/4 20X3/8 HX HD CAP	2.000 ea
06CB3000	BALDOR CONDUIT BOX CAST	1.000 ea
06GS1000	GASKET,CONDUIT BOX	1.000 ea
51XW2520A12	.25-20 X .75, TAPTITE II, HEX WSHR SLTD	2.000 ea
11XW1032G06	10-32 X .38, TAPTITE II, HEX WSHR SLTD U	1.000 ea
HW3001B01	BRASS CUP WASHER, FOR #10 SCREW	1.000 ea
35EP1100B45	FRONT TENV 203 BRG W/GRSR & THRU-SHAFT E	1.000 ea
HW4500A01	1641B(ALEMITE)400 UNIV, GREASE FITT	1.000 ea
HW5100A03	WAVY WASHER (W1543-017)	1.000 ea
35EP1329A01	PU EP ENCL 143-5TC 205 BRG W/GRSR & STD	1.000 ea
HW4500A01	1641B(ALEMITE)400 UNIV, GREASE FITT	1.000 ea
51XN1032A20	10-32 X 1 1/4 HX WS SL SR	2.000 ea
HA3100A28	THRUBOLT 10-32 X 8.187	4.000 ea
35FH4801G	THRU-SHAFT ENCODER COVER INV/VECTOR F1 &	1.000 ea
WD4129	1.50 X 1.50 GRAY SNAP IN PLUG PROMOULD #	2.000 ea
10XN2520A08	1/4-20X1/2 HEX HEAD CAP	4.000 ea
10XN2520A08	1/4-20X1/2 HEX HEAD CAP	1.000 ea
06CB3500	BALDOR CONDUIT BOX LID	1.000 ea
06GS1001	BALDOR CONDUIT BOX GASKET	1.000 ea
51XW2520A12	.25-20 X .75, TAPTITE II, HEX WSHR SLTD	2.000 ea
HW2501D13	KEY, 3/16 SQ X 1.375	1.000 ea
HA7000A01	KEY RETAINER 7/8" DIA SHAFT	1.000 ea
MJ5004A05	#242-21 LOCTITE GENERAL PURPOSE MED. STR	0.005 ea
85XU0407S04	4X1/4 U DRIVE PIN STAINLESS	2.000 ea
MJ1000A02	GREASE, POLYREX EM EXXON	0.050 lb
MG1025N19	MUNSELL 8.5BG 3.57/2.0, GLOSS 30, B/G,	0.022 ga

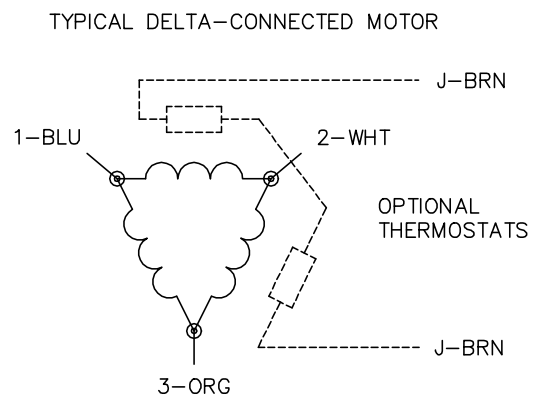
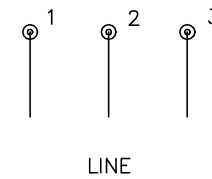
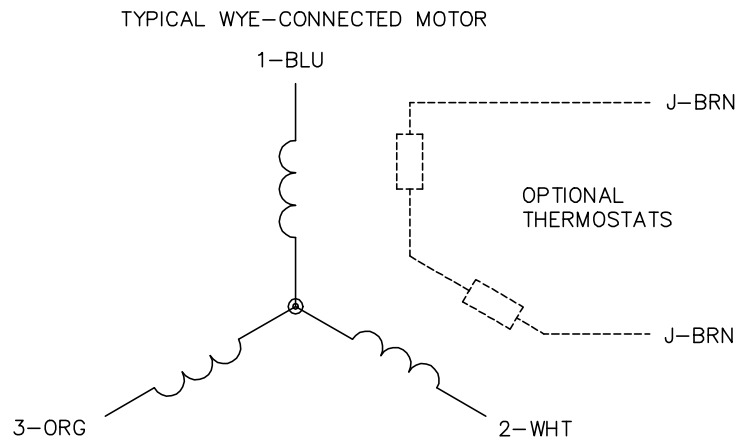
LB1119N	WARNING LABEL	1.000 ea
LC0006	CONNECTION LABEL	1.000 ea
NP3302L	ALUM INV UL CSA CC (W/OUT DESIGN FIELD)	1.000 ea
36PA1001	PKG GRP, PRINT PK1017A06	1.000 ea
MN416A01	TAG-INSTAL-MAINT no wire (2100bx)4/22	1.000 ea







CD0006



NOTES:

1. THREE LEAD MOTOR MAY BE EITHER WYE CONNECTED OR DELTA CONNECTED.
2. INTERCHANGE ANY TWO LINE LEADS TO REVERSE ROTATION.
3. OPTIONAL THERMOSTATS ARE PROVIDED WHEN SPECIFIED.
4. ACTUAL NUMBER OF INTERNAL PARALLEL CIRCUITS MAY VARY.
5. LEAD COLORS ARE OPTIONAL. LEADS MUST BE NUMBERED AS SHOWN.

CD0006

REV. DESC: ADD CLASS CONN00000007		
REV. LTR: E	VERSION: 01	TDR: 000001099922
FILE: \AAA\00005\141	REVISED: 10:24:49 02/19/2019	BY: ENBRIRO
MTL: -	© □	

**BALDOR - RELIANCE®**

3PH, SV, 3 LEADS, WYE OR DELTA CONNECTED

SH 1 of 1