

**BALDOR • RELIANCE**

---

# Customer information packet

## JMFSWDM23934T-E

60M 4P TEFC HOR 256JM S/P9-12 SE ENCAP

Class - None

Division - Not Applicable

## Specifications

Enclosure	TEFC
Frame	256JM
Frame Material	Stainless Steel
Frequency	60.00 Hz
Motor Letter Type	Three Phase
Output @ Frequency	20.000 HP @ 60 HZ
Phase	3
Synchronous Speed @ Frequency	1800 RPM @ 60 HZ
Voltage @ Frequency	230.0 V @ 60 HZ 460.0 V @ 60 HZ
XP Class and Group	None
XP Division	Not Applicable
Agency Approvals	CSA NEMA PREMIUM UR
Ambient Temperature	40 °C
Auxillary Box	No Auxillary Box
Auxillary Box Lead Termination	None
Base Indicator	Rigid
Bearing Grease Type	Polyrex EM (-20F +300F)
Blower	None
Current @ Voltage	24.000 A @ 460.0 V 48.000 A @ 230.0 V
Design Code	A
Drip Cover	No Drip Cover
Duty Rating	CONT
Efficiency @ 100% Load	93.0 %
Electrically Isolated Bearing	Not Electrically Isolated
Feedback Device	NO FEEDBACK
Front Shaft Indicator	None
Heater Indicator	No Heater
High Voltage Full Load Amps	24.0 a

## Part detail

Revision	L
Type	AC
Mech. spec.	39E754
Base	
Status	PRD/A
Elec. spec.	39WGY400
Layout	39LYE754
Eff. date	09-22-2023
CD Diagram	CD0180
Poles	04
Leads	9#12
Proprietary	False
Created date	05-09-2018

<b>Insulation Class</b>	H
<b>Inverter Code</b>	Inverter Ready
<b>KVA Code</b>	J
<b>Lifting Lugs</b>	Standard Lifting Lugs
<b>Locked Bearing Indicator</b>	Locked Bearing
<b>Motor Lead Quantity/Wire Size</b>	9 @ 12 AWG
<b>Motor Lead Termination</b>	Flying Leads
<b>Motor Standards</b>	NEMA
<b>Motor Type</b>	3960M
<b>Mounting Arrangement</b>	F1
<b>Number of Poles</b>	4
<b>Overall Length</b>	26.68 IN
<b>Power Factor</b>	84
<b>Product Family</b>	WD All SS Encapsulated
<b>Pulley End Bearing Type</b>	Sealed Bearing
<b>Pulley Face Code</b>	C-Face
<b>Pulley Shaft Indicator</b>	Standard
<b>Rodent Screen</b>	None
<b>Service Factor</b>	1.00
<b>Shaft Diameter</b>	1.250 IN
<b>Shaft Ground Indicator</b>	No Shaft Grounding
<b>Shaft Rotation</b>	Reversible
<b>Shaft Slinger Indicator</b>	No Slinger
<b>Speed</b>	1765 rpm
<b>Speed Code</b>	Single Speed
<b>Starting Method</b>	Direct on line
<b>Thermal Device - Bearing</b>	None
<b>Thermal Device - Winding</b>	None
<b>Vibration Sensor Indicator</b>	No Vibration Sensor
<b>Winding Thermal 1</b>	None
<b>Winding Thermal 2</b>	None

Nameplate

NP4427AAA05

<b>CAT #</b>	JMFSWDM23934T-E	<b>LBS</b>	
<b>SPEC</b>	39E754Y400G1	<b>ENCL</b>	TEFC
<b>SER #</b>		<b>CC</b>	010A <b>IP</b> 69
<b>HP</b>	20	<b>MAG CUR</b>	19.4/9.7
<b>VOLTS</b>	230/460	<b>NEMA NOM. EFF</b>	93
<b>AMPS</b>	48/24	<b>PF</b>	84
<b>RATING</b>	40C AMB-CONT		
<b>RPM</b>	1765	<b>MAX RPM</b>	2700
<b>FRAME</b>	256JM	<b>HZ</b>	60 <b>CODE</b> J <b>CLASS</b> H
<b>SER.F.</b>	1.00	<b>SF AMP</b>	<b>PH</b> 3 <b>DES</b> A
<b>DE</b>	6309	<b>ODE</b>	6309
<b>LUBRICATION</b>	POLYREX EM		
<b>ID LOGO</b>	<b>VPWM</b>	<b>CHP</b>	60 <b>TO</b> 90 1.5:1
<b>ID LOGO</b>	<b>WK2</b>	2.52	<b>CT</b> 30 <b>TO</b> 60 2:1
<b>ID LOGO</b>	<b>SL HZ</b>	1.2	<b>VT</b> 6 <b>TO</b> 60 10:1
			<b>QR</b>
<b>YR</b>			

## Parts list

Part number	Description	Quantity
SA357624	SA 39E754Y400G1	1.000 ea
RA346633	RA 39E754Y400G1	1.000 ea
09FN3001D01SP	EXTERNAL FAN, PLASTIC (COMES W/SCREW FRO	1.000 ea
39CB1001A01	39 MID-SECTION, - 3PC. BOX W/5.75-12 THD	1.000 ea
RM1070A79	O-RING, -051 VITON/FKM .070CS X 5.489ID	1.000 ea
10XN2520S10	1/4-20X 5/8 HEX HD CAP SS	4.000 ea
WD1000B16	T&B CX70TN OR L70P TERMINAL LUG	1.000 ea
10XN2520G08	25-20 X.50 - PAINTED GREEN	1.000 ea
39EP1904A02	FREP ENCL 309 BRG (STAINLESS) POLISHED	1.000 ea
RM1070A80	O-RING, VITON/FKM .070CS X 10.800ID	1.000 ea
HW4600F81	45 X 68 X 10 LIP SEAL, GRAPHITE INFUSED	1.000 ea
HW4600F80	45 X 62 X 4.5 AFS SEAL, GRAPHITE INFUSED	1.000 ea
HW4500S33	1/8 NPT STAINLESS #304 SS PLUG	4.000 ea
HW4500S33	1/8 NPT STAINLESS #304 SS PLUG	4.000 ea
HW5100A11	W3917-042 WVY WSHR (WB)	1.000 ea
39EP1905A01	PUEP ENCL 309 BRG (STAINLESS) POLISHED	1.000 ea
RM1070A80	O-RING, VITON/FKM .070CS X 10.800ID	1.000 ea
HW4600F81	45 X 68 X 10 LIP SEAL, GRAPHITE INFUSED	1.000 ea
HW4600F80	45 X 62 X 4.5 AFS SEAL, GRAPHITE INFUSED	1.000 ea
RM1070A78	O-RING, -012 VITON/FKM .070CS X .364ID	4.000 ea
39FH4004A01	304 SS FANCOVER SPUN W/SLOTS & MTG(POLIS	1.000 ea
10XN2520FS08	HEX HD CAP SCREW 1/4-20 X 1/2 SS FOOD SA	3.000 ea
HW1001S25	WASHER, 1/4 SPLT LK, STAINLESS STEEL	3.000 ea
39CB1500A01	39 LID, 3 PC. BOX STAINLESS (POLISHED)	1.000 ea
RM1070A79	O-RING, -051 VITON/FKM .070CS X 5.489ID	1.000 ea
HW2502E18	#303 SS,SQ KEY 1/4 X 2.000	1.000 ea
MJ5001A27	32220KN GRAY SEALER *MIN BUY 4 QTS=1GAL	0.005 qt
MJ5004A93	FOOD GRADE (H1 RATED) ANTISEIZE THRD COM	0.005 ea
HA5027A09	DRAIN KIT,(2)HA4002A03 BAGGED W/LABEL	1.000 ea
MJ1000A02	GREASE, POLYREX EM EXXON	0.030 lb
HA3105FS14	THRUBOLT, 3/8-16 X 17.250 SS FOOD SAFE	4.000 ea

HW2502F08	KEY, 5/16 SQ X .875 303 SS	1.000 ea
51XB1214S20	12-14X1.25 HXWSSLD SERTYB, SS	1.000 ea
WD5603A01	KIT, CLOSED-END LEAD SPLICE (18-14GA)	1.000 ea
40PA1000	PACKAGING GROUP	1.000 ea
MN416A01	TAG-INSTAL-MAINT no wire (2100bx)4/22	1.000 ea
FE-0000013	ZRTG FE ASSEMBLY	1.000 ea
LD7020D09	LEAD SET, 12AWG, 9 LEAD, 20" LONG LEADS	1.000 ea
PE-0000003	ZRTG PE ASSEMBLY	1.000 ea
HA1025A03	FELT WSH 2.1875 OD X 1.170 ID X .25 #321	8.000 ea

**AC Induction Motor Performance Data**

Record # 69070

Typical performance - not guaranteed values

Winding: 39WGY400-R001		Type: 3960M	Enclosure: TEFC	
<b>Nameplate Data</b>			<b>460 V, 60 Hz: High Voltage Connection</b>	
Rated Output (HP)	20	Full Load Torque	59.38 LB-FT	
Volts	230/460	Start Configuration	direct on line	
Full Load Amps	48/24	Breakdown Torque	226 LB-FT	
R.P.M.	1765	Pull-up Torque	109 LB-FT	
Hz	60	Locked-rotor Torque	139 LB-FT	
NEMA Design Code	A	Starting Current	188 A	
Service Factor (S.F.)	1	No-load Current	9.7 A	
NEMA Nom. Eff.	93	Line-line Res. @ 25°C	0.371 Ω	
Rating - Duty	40C AMB-CONT	Temp. Rise @ Rated Load	92°C	
		Locked-rotor Power Factor	30.4	

**Load Characteristics 460 V, 60 Hz, 20 HP**

% of Rated Load	25	50	75	100	125	150
Power Factor	47	69	79	84	86	87
Efficiency	89.8	93.1	93.5	93.1	92.4	91.3
Speed	1792	1784.5	1776.1	1767.4	1758.1	1747.4
Line amperes	11.2	14.5	18.9	23.9	29.3	35.2

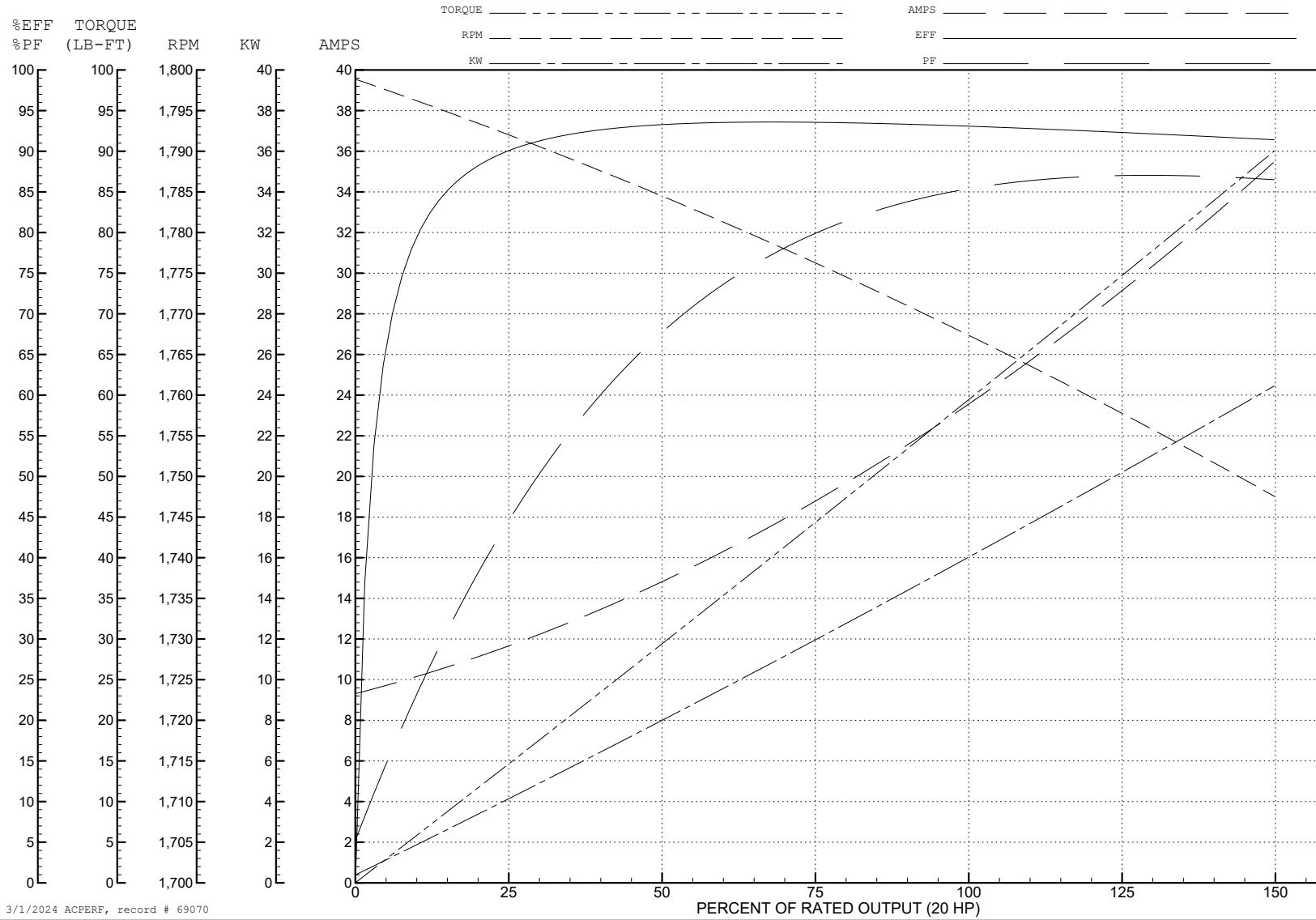
ABB Motors and Mechanical Inc.

WINDING # 39WGY400

Typical performance - not guaranteed values.

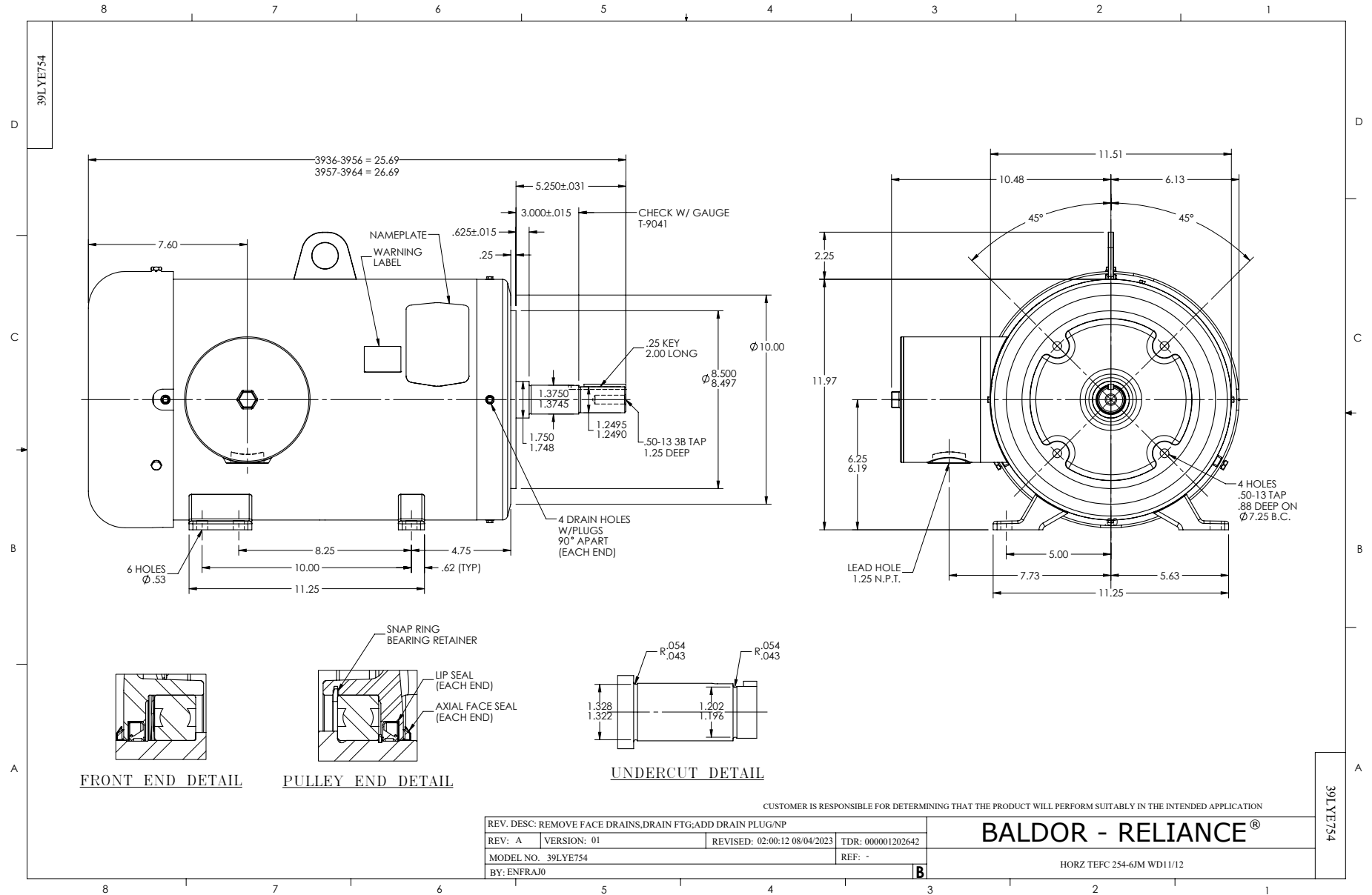
20 HP 3 PH 60 HZ 1765 RPM 460 V 3960M

TORQUES (LB-FT): PO=226 PU=109 LR=139 LRA=188

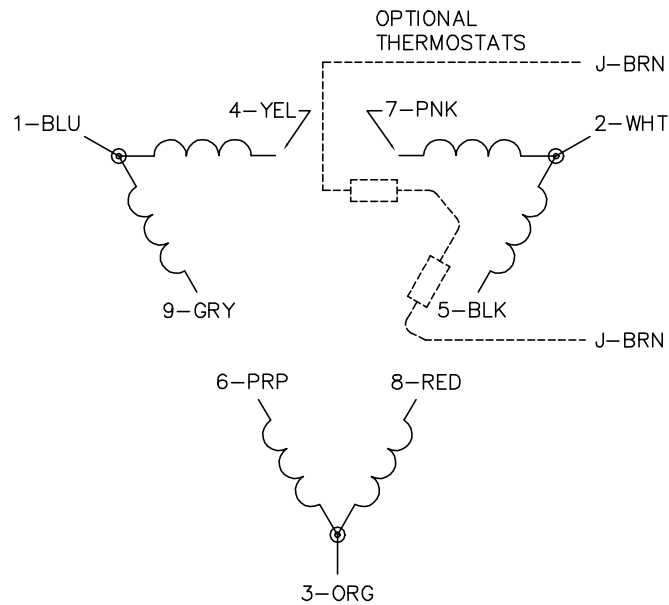


3/1/2024 ACPERF, record # 69070

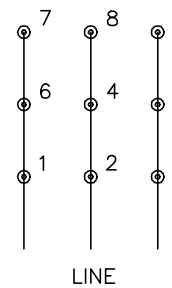




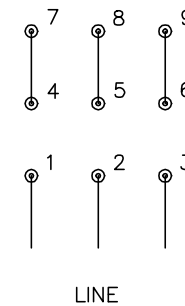
CD0180



LOW VOLTAGE  
(2D)



HIGH VOLTAGE  
(1D)



NOTES:

1. INTERCHANGE ANY TWO LINE LEADS TO REVERSE ROTATION.
2. OPTIONAL THERMOSTATS ARE PROVIDED WHEN SPECIFIED.
3. ACTUAL NUMBER OF INTERNAL PARALLEL CIRCUITS MAY BE A MULTIPLE OF THOSE SHOWN ABOVE.
4. LEAD COLORS ARE OPTIONAL. LEADS MUST ALWAYS BE NUMBERED AS SHOWN.

CD0180

REV. DESC: ADD CLASS CONN00000007		
REV. LTR: D	VERSION: 01	TDR: 000001099922
FILE: \AAA\00005\148	REVISED: 10: 25: 29 02/19/2019	BY: ENBRIRO
MTL: -	© □	

**BALDOR - RELIANCE®**

3PH, DV, 9 LEADS, DELTA CONNECTION

SH 1 of 1