

BALDOR • RELIANCE

Customer information packet

JMFSWDM3709T-E

7.5HP, 3500RPM, 3PH, 60HZ, 213JM, 3734M, TEFC

Class - None

Division - Not Applicable

Specifications

Enclosure	TEFC
Frame	213JM
Frame Material	Stainless Steel
Frequency	60.00 Hz
Haz Area Class and Group	None
Haz Area Division	Not Applicable
Motor Letter Type	Three Phase
Output @ Frequency	7.500 HP @ 60 HZ
Phase	3
Synchronous Speed @ Frequency	3600 RPM @ 60 HZ
Voltage @ Frequency	230.0 V @ 60 HZ 460.0 V @ 60 HZ
Agency Approvals	CSA CSA EEV NEMA PREMIUM UR
Ambient Temperature	40 °C
Auxillary Box	No Auxillary Box
Auxillary Box Lead Termination	None
Base Indicator	Rigid
Bearing Grease Type	Polyrex EM (-20F +300F)
Blower	None
Current @ Voltage	8.300 A @ 460.0 V 19.900 A @ 208.0 V 16.800 A @ 230.0 V
Design Code	A
Drip Cover	No Drip Cover
Duty Rating	CONT
Efficiency @ 100% Load	91.0 %
Electrically Isolated Bearing	Not Electrically Isolated
Feedback Device	NO FEEDBACK
Front Face Code	Standard

Part detail

Revision	Q
Type	AC
Mech. spec.	37Q257
Base	
Status	PRD/A
Elec. spec.	37WGS136
Layout	37LYQ257
Eff. date	06-24-2024
CD Diagram	CD0005
Poles	02
Leads	9#14
Proprietary	False
Created date	10-13-2017

Front Shaft Indicator	None
Heater Indicator	No Heater
High Voltage Full Load Amps	8.3 a
Insulation Class	H
Inverter Code	Inverter Ready
KVA Code	K
Lifting Lugs	Standard Lifting Lugs
Locked Bearing Indicator	Locked Bearing
Motor Lead Exit	Ko Box
Motor Lead Quantity/Wire Size	9 @ 14 AWG
Motor Lead Termination	Flying Leads
Motor Standards	NEMA
Motor Type	3734M
Mounting Arrangement	F1
Number of Poles	2
Overall Length	20.62 IN
Power Factor	93
Product Family	WD All SS Encapsulated
Pulley End Bearing Type	Sealed Bearing
Pulley Face Code	C-Face
Pulley Shaft Indicator	Tapped & Key
Rodent Screen	None
RoHS Status	ROHS COMPLIANT
Service Factor	1.15
Shaft Diameter	0.875 IN
Shaft Extension Location	Pulley End
Shaft Ground Indicator	No Shaft Grounding
Shaft Rotation	Reversible
Shaft Slinger Indicator	No Slinger
Speed	3500 rpm
Speed Code	Single Speed
Starting Method	Direct on line
Thermal Device - Bearing	None
Thermal Device - Winding	None

Vibration Sensor Indicator	No Vibration Sensor
Winding Thermal 1	None
Winding Thermal 2	None

Nameplate

NP4427AAA01

CAT #	JMFSWDM3709T-E		WT	131	LBS	
SPEC	37Q257S136G1		ENCL	TEFC		
SER #		CC	010A	IP	69	
HP	7.5	MAG CUR	6.4/3.2			
VOLTS	230/460		NEMA NOM. EFF	91		
AMPS	16.8/8.3		PF	93		
RATING	40C AMB-CONT					
RPM	3500		MAX RPM	5400		
FRAME	213JM	HZ	60	CODE	K	CLASS H
SER.F.	1.15	SF AMP		PH	3	DES A
DE	6309	ODE	6307			
LUBRICATION	POLYREX EM					
ID LOGO	INVERTER TYPE	VPWM	CHP	60	TO	90 1.5:1
ID LOGO	WK2	0.311	CT	15	TO	60 4:1
ID LOGO	SL HZ	1.7	VT	6	TO	60 10:1
YR						

Parts list

Part number	Description	Quantity
SA348882	SA 37Q257S136G1	1.000 ea
RA337465	RA 37Q257S136G1	1.000 ea
36FN3000C02SP	EXFN, PLASTIC, 5.25 OD, 1.175 ID	1.000 ea
35CB1017B01	37 MID SECT - 3 PC. CONDUIT BOX 1.00 NPT	1.000 ea
RM1070A81	O-RING, -043 VITON/FKM .070CS X 3.489ID	1.000 ea
HA3424S64	STUD - M6X1.0 THDS X 4.00"	1.000 ea
RM1006A07	GROMMET, #2767 1.12 HOLE (ATLANTIC INDIA	1.000 ea
11XW1032G08	10-32 X .50, TAPTITE II, HEX WSHR SLTD U	1.000 ea
HW3001B01	BRASS CUP WASHER, FOR #10 SCREW	1.000 ea
37EP1920A03	FREP, TEFC MACH - 307 BRG WD11/12 (STAIN	1.000 ea
RM1070A48	O-RING, .070 C.S. X 8.656 ID, VITON	1.000 ea
HW4600F80	45 X 62 X 4.5 AFS SEAL, GRAPHITE INFUSED	1.000 ea
HW4600F35	35 X 52 X 8 LIP SEAL, GRAPHITE INFUSED V	1.000 ea
HW4600F34	35 X 53 X 4.5 AFX SEAL, GRAPHITE INFUSED	1.000 ea
HW4500S33	1/8 NPT STAINLESS #304 SS PLUG	4.000 ea
HW5100A08	W3118-035 WVY WSHR (WB)	1.000 ea
37EP1926A02	PUEP, MACH - 309 BRG WD11/12 (STAINLESS)	1.000 ea
RM1070A48	O-RING, .070 C.S. X 8.656 ID, VITON	1.000 ea
HW4600F81	45 X 68 X 10 LIP SEAL, GRAPHITE INFUSED	1.000 ea
HW4500S33	1/8 NPT STAINLESS #304 SS PLUG	4.000 ea
RM1070A47	O-RING, -011 VITON/FKM .070CS X .301ID	4.000 ea
11XB1214S16	12-14X1.00 HXWSSLD TYP B STAINLESS	1.000 ea
37FH4000A45	STAINLESS FAN COVER, NO GREASER SLOT (FO	1.000 ea
10XN1032FS06	HEX HD CAP SCREW 10-32 X 3/8 SS FOOD SAF	3.000 ea
35CB1513A01	35-36-37 MACH. LID - 3 PC. CONDUIT BOX	1.000 ea
RM1070A81	O-RING, -043 VITON/FKM .070CS X 3.489ID	1.000 ea
HW2502D13	SS KEY, 3/16 SQ X 1.375	1.000 ea
HA7000A01	KEY RETAINER 7/8" DIA SHAFT	1.000 ea
MJ5001A27	32220KN GRAY SEALER *MIN BUY 4 QTS=1GAL	0.005 qt
MJ5004A93	FOOD GRADE (H1 RATED) ANTISEIZE THRD COM	0.005 ea
HA1025A21	WSHR,FELT .125" THK	1.000 ea

HA5027A09	DRAIN KIT,(2)HA4002A03 BAGGED W/LABEL	1.000 ea
MJ1000A02	GREASE, POLYREX EM EXXON	0.050 lb
WD5603A01	KIT, CLOSED-END LEAD SPLICE (18-14GA)	1.000 ea
HA3104FS17	THRUBOLT, 5/16-18 X 13.250 SS FOOD SAFE	4.000 ea
37PA1074	PALLET PACK GRP, PRINT BOX PK1026A06	1.000 ea
MN416A01	TAG-INSTAL-MAINT no wire (2500bx)4/22	1.000 ea
FE-0000016	ZTRG FE ASSEMBLY	1.000 ea
PE-0000010	ZRTG PE ASSEMBLY	1.000 ea

AC Induction Motor Performance Data

Record # 57387

Typical performance - not guaranteed values

Winding: 37WGS136-R005		Type: 3734M		Enclosure: TEFC	
Nameplate Data			460 V, 60 Hz: High Voltage Connection		
Rated Output (HP)	7.5	Full Load Torque	11.5 LB-FT		
Volts	230/460	Start Configuration	direct on line		
Full Load Amps	16.8/8.3	Breakdown Torque	66.3 LB-FT		
R.P.M.	3500	Pull-up Torque	25.8 LB-FT		
Hz	60	Phase	3	Locked-rotor Torque	36.7 LB-FT
NEMA Design Code	A	KVA Code	K	Starting Current	86.2 A
Service Factor (S.F.)			1.15	No-load Current	3.25 A
NEMA Nom. Eff.	91	Power Factor	93	Line-line Res. @ 25°C	0.913 Ω
Rating - Duty	40C AMB-CONT			Temp. Rise @ Rated Load	47°C
S.F. Amps				Temp. Rise @ S.F. Load	56°C
				Locked-rotor Power Factor	32.4
				Rotor inertia	0.311 LB-FT ²

Load Characteristics 460 V, 60 Hz, 7.5 HP

% of Rated Load	25	50	75	100	125	150	S.F.
Power Factor	62	85	89	94	95	100	95
Efficiency	84.7	90.9	92.1	92	91.4	90.7	91.6
Speed	3584	3564	3541	3520	3498	3481	3508
Line amperes	3.54	4.72	6.63	8.32	10.3	11.8	9.5

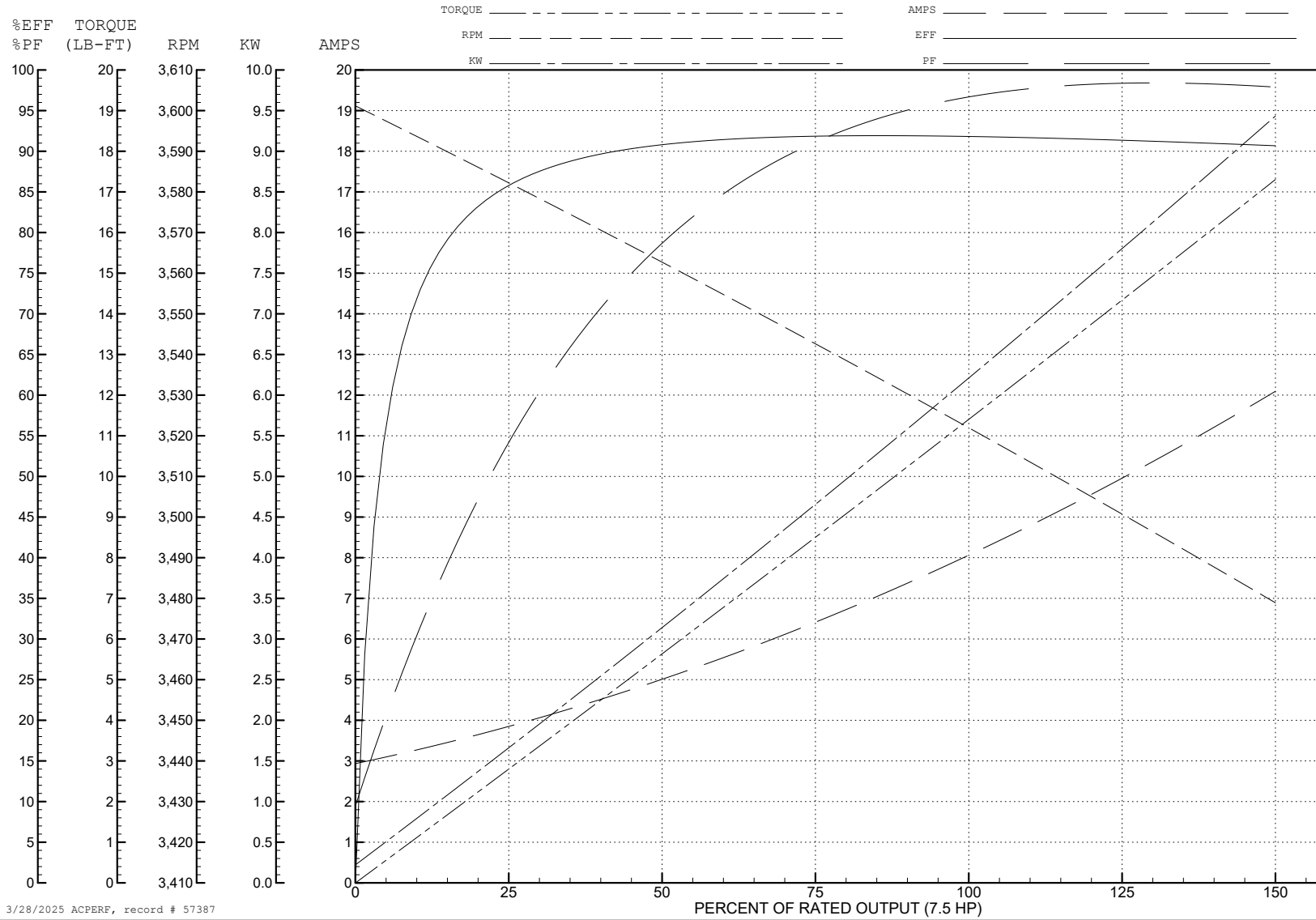
ABB Motors and Mechanical Inc.

WINDING # 37WGS136

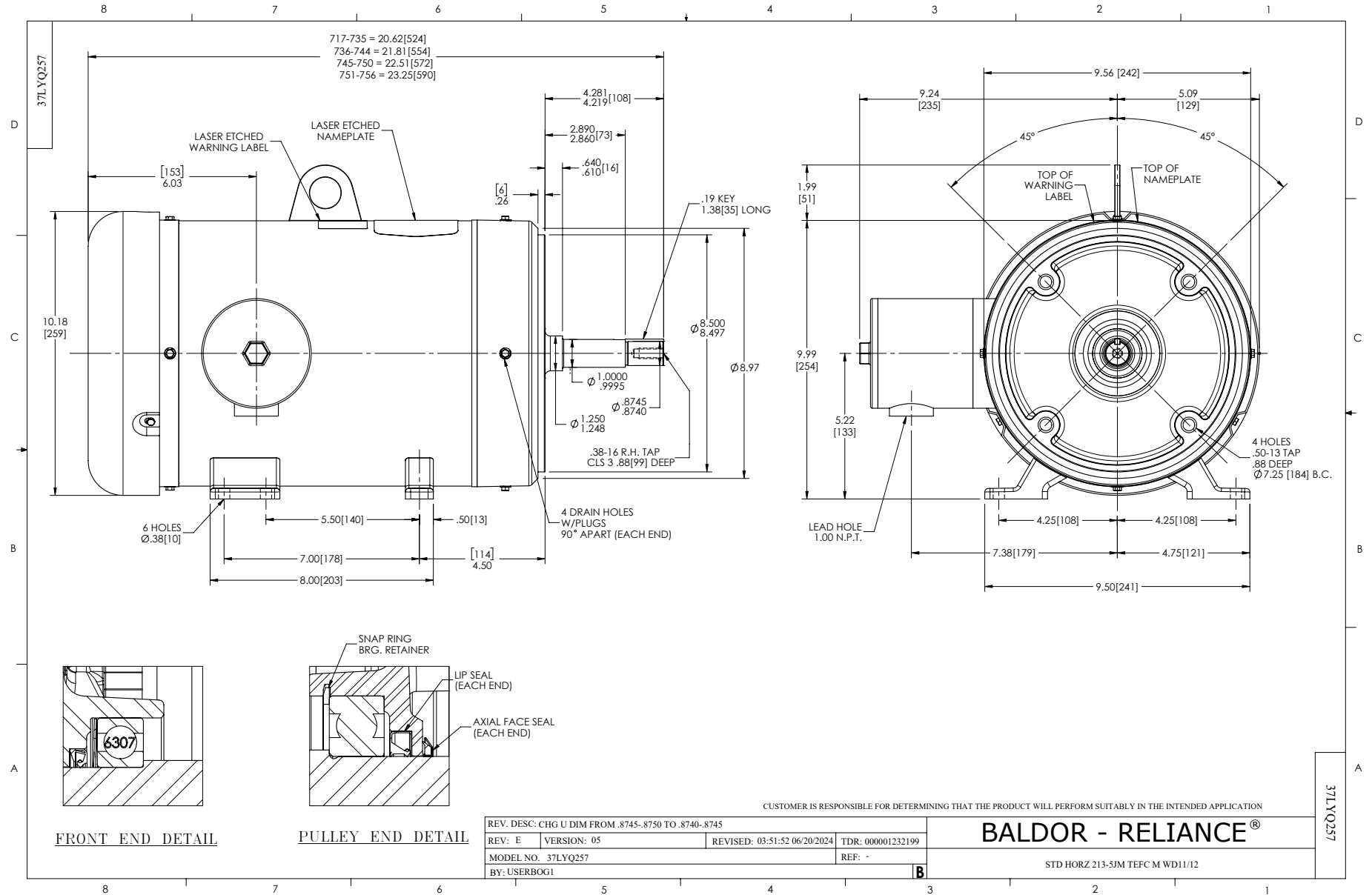
Typical performance - not guaranteed values.

7.5 HP 3 PH 60 HZ 3500 RPM 460 V 3734M

TORQUES (LB-FT): PO=66.3 PU=25.8 LR=36.7 LRA=86.2



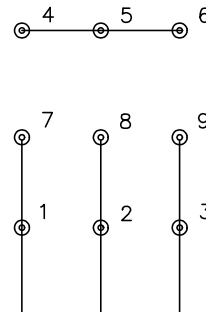
3/28/2025 ACPERF, record # 57387



CD0005



LOW VOLTAGE
(2Y)



LINE

HIGH VOLTAGE
(1Y)



LINE

NOTES:

1. INTERCHANGE ANY TWO LINE LEADS TO REVERSE ROTATION.
2. OPTIONAL THERMOSTATS ARE PROVIDED WHEN SPECIFIED.
3. ACTUAL NUMBER OF INTERNAL PARALLEL CIRCUITS MAY BE A MULTIPLE OF THOSE SHOWN ABOVE.
4. LEAD COLORS ARE OPTIONAL. LEADS MUST ALWAYS BE NUMBERED AS SHOWN.

CD0005

REV. DESC: REVISE TO SHOW OPTIONAL COLORS			
REV. LTR: E	BY: JLP	REVISED: 01/19/99 10:15	TDR: 0171435
S00000		FILE: AAA00005140	MDL: -
		MTL: -	

BALDOR ELECTRIC Co.

3PH, DV, 9 LEADS