

**BALDOR® • RELIANCE** 

**Product Information Packet**

**JMM3616T**

**7.5HP,3450RPM,3PH,60HZ,184JM,3640M,TEFC**

Part Detail							
Revision:	E	Status:	INA/A	Change #:		Proprietary:	No
Type:	AC	Elec. Spec:	36WGX875	CD Diagram:	CD0005	Mfg Plant:	
Mech. Spec:	36H017	Layout:	36LYH017	Poles:	02	Created Date:	07-29-2010
Base:	RG	Eff. Date:	03-08-2016	Leads:	9#16		

Specs			
Catalog Number:	JMM3616T	Heater Indicator:	No Heater
Enclosure:	TEFC	Insulation Class:	F
Frame:	184JM	Inverter Code:	Not Inverter
Frame Material:	Steel	KVA Code:	M
Motor Letter Type:	Three Phase	Lifting Lugs:	Standard Lifting Lugs
Output @ Frequency:	7.500 HP @ 60 HZ	Locked Bearing Indicator:	Locked Bearing
Synchronous Speed @ Frequency:	3600 RPM @ 60 HZ	Motor Lead Quantity/Wire Size:	9 @ 16 AWG
Voltage @ Frequency:	460.0 V @ 60 HZ	Motor Lead Exit:	Ko Box
	230.0 V @ 60 HZ	Motor Lead Termination:	Flying Leads
	208.0 V @ 60 HZ	Motor Type:	3640M
XP Class and Group:	None	Mounting Arrangement:	F1
XP Division:	Not Applicable	Power Factor:	93
Agency Approvals:	CSA	Product Family:	General Purpose
	UR	Pulley End Bearing Type:	Ball
Auxillary Box:	No Auxillary Box	Pulley Face Code:	C-Face
Auxillary Box Lead Termination:	None	Pulley Shaft Indicator:	Tapped & Key
Base Indicator:	RG	Rodent Screen:	None
Bearing Grease Type:	Polyrex EM (-20F +300F)	Shaft Extension Location:	Pulley End

<b>Blower:</b>	None	<b>Shaft Ground Indicator:</b>	No Shaft Grounding
<b>Current @ Voltage:</b>	8.700 A @ 460.0 V	<b>Shaft Rotation:</b>	Reversible
	18.500 A @ 208.0 V	<b>Shaft Slinger Indicator:</b>	Shaft Slinger
	17.400 A @ 230.0 V	<b>Speed Code:</b>	Single Speed
<b>Design Code:</b>	A	<b>Motor Standards:</b>	NEMA
<b>Drip Cover:</b>	No Drip Cover	<b>Starting Method:</b>	Direct on line
<b>Duty Rating:</b>	CONT	<b>Thermal Device - Bearing:</b>	None
<b>Electrically Isolated Bearing:</b>	Not Electrically Isolated	<b>Thermal Device - Winding:</b>	None
<b>Feedback Device:</b>	NO FEEDBACK	<b>Vibration Sensor Indicator:</b>	No Vibration Sensor
<b>Front Face Code:</b>	Standard	<b>Winding Thermal 1:</b>	None
<b>Front Shaft Indicator:</b>	None	<b>Winding Thermal 2:</b>	None

Nameplate NP1256L										
CAT.NO.	JMM3616T									
SPEC.	36H017X875H1									
HP	7.5									
VOLTS	208-230/460									
AMP	18.5-17.4/8.7									
RPM	3450									
FRAME	184JM				HZ	60			PH	3
SER.F.	1.15		CODE	M	DES	A		CLASS	F	
NEMA-NOM-EFF	88.5		PF	93						
RATING	40C AMB-CONT									
CC	010A				USABLE AT 208V		18.5			
DE	6207				ODE	6205				
ENCL	TEFC		SN							

Parts List		
Part Number	Description	Quantity
SA200456	SA 36H017X875H1	1.000 EA
RA187769	RA 36H017X875H1	1.000 EA
36CB3004	36 CB CASTING W/1.09 DIA LEAD HOLE @ 6:0	1.000 EA
36GS1000SP	GASKET-CONDUIT BOX, .06 THICK #SV-330 LE	1.000 EA
51XB1016A08	10-16X 1/2HXWSSLD SERTYB	2.000 EA
11XW1032G06	10-32 X .38, TAPTITE II, HEX WSHR SLTD U	1.000 EA
HW3001B01	BRASS CUP WASHER, FOR #10 SCREW	1.000 EA
36EP3104A04	FR ENDPLATE, FOR ROUTING	1.000 EA
HW4500A01	1641B(ALEMITE)400 UNIV, GREASE FITT	1.000 EA
HW4500A17	317400 ALEMITE GREASE RELIEF	1.000 EA
HW5100A05	WVY WSHR F/205 & 304 BRGS	1.000 EA
36PE3405T03	PUEP ASSEMBLY FOR ROUTING PURPOSES	1.000 EA
HW4500A01	1641B(ALEMITE)400 UNIV, GREASE FITT	1.000 EA
HW4500A17	317400 ALEMITE GREASE RELIEF	1.000 EA
10XN2520A24	1/4-20X 1 1/2 HEX HD X	4.000 EA
HW1001A25	LOCKWASHER 1/4, ZINC PLT .493 OD, .255 I	4.000 EA
51XB1214A16	12-14X1.00 HXWSSLD SERTYB	1.000 EA
36FH4009A103	IEC FH GREASER W/PRIMER	1.000 EA
51XW1032A06	10-32 X .38, TAPTITE II, HEX WSHR SLTD S	3.000 EA
36CB4516	750LIPPED CB LID - GALVANNEAL	1.000 EA
37GS1001	GASKET, CONDUIT BOX LID, .06 THICK LEXID	1.000 EA
51XW0832A07	8-32 X .44, TAPTITE II, HEX WSHR SLTD SE	4.000 EA
HA1005A07	SLINGER, OD 2.25, ID 1.344, 307 BRG	1.000 EA
HW2501D13	KEY, 3/16 SQ X 1.375	1.000 EA

Parts List (continued)		
Part Number	Description	Quantity
HA7000A01	KEY RETAINER 7/8" DIA SHAFT	1.000 EA
85XU0407S04	4X1/4 U DRIVE PIN STAINLESS	2.000 EA
HW3200A01	3/8-16X3/4 I-BLT WELDED F/S	1.000 EA
MJ1000A02	GREASE, POLYREX EM EXXON	0.050 LB
35FN3002A04SP	EXFN, PLASTIC, 6.376 OD, .906 ID W/KEY	1.000 EA
MG1000G27	MED CHARCOAL METALLIC GREY 400-0096	0.022 GA
LB1115N	LABEL,LIFTING DEVICE (ON ROLLS)	1.000 EA
HA3101A28	THRUBOLT 1/4-20 X 12.500 OHIO ROD	4.000 EA
LC0005E01	CONN.DIA./WARNING LABEL (LC0005/LB1119N)	1.000 EA
NP1256L	ALUM UL CSA CC INDUSTRIAL MOTOR A60	1.000 EA
G0PA1000	PKG GRP, PRINT PK1026A06	1.000 EA
MN416A01	TAG-INSTAL-MAINT no wire (2200bx) 4/22	1.000 EA

**AC Induction Motor Performance Data**

Record # 11137

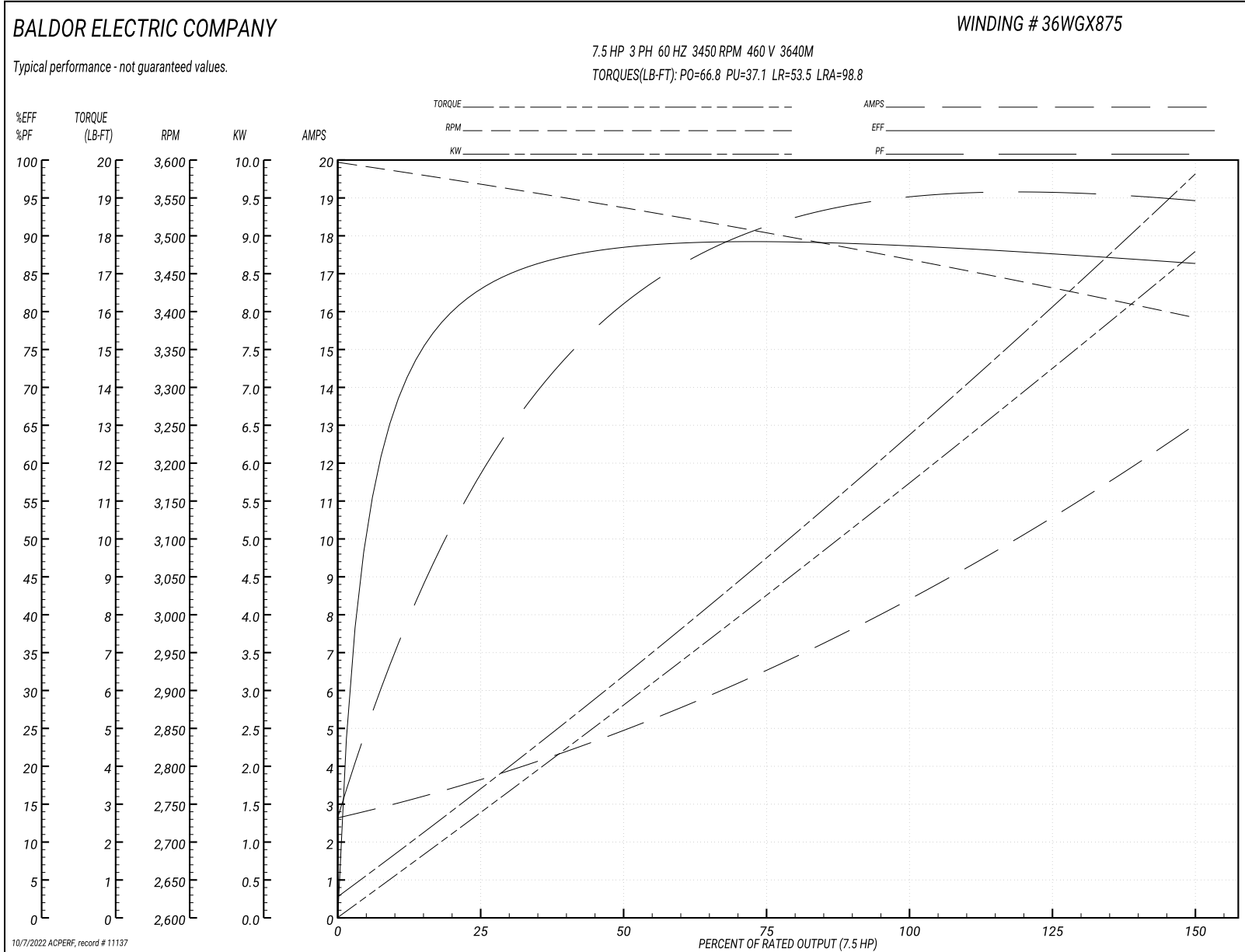
Typical performance - not guaranteed values

<b>Winding: 36WGX875-R001</b>		<b>Type: 3640M</b>		<b>Enclosure: TEFC</b>	
<b>Nameplate Data</b>			<b>460 V, 60 Hz: High Voltage Connection</b>		
<b>Rated Output (HP)</b>	7.5	<b>Full Load Torque</b>	11.5 LB-FT		
<b>Volts</b>	208-230/460	<b>Start Configuration</b>	direct on line		
<b>Full Load Amps</b>	18.5-17.4/8.7	<b>Breakdown Torque</b>	66.8 LB-FT		
<b>R.P.M.</b>	3450	<b>Pull-up Torque</b>	37.1 LB-FT		
<b>Hz</b>	60 <b>Phase</b>	3	<b>Locked-rotor Torque</b>	53.5 LB-FT	
<b>NEMA Design Code</b>	A	<b>KVA Code</b>	M	<b>Starting Current</b>	98.8 A
<b>Service Factor (S.F.)</b>	1.15	<b>No-load Current</b>	2.78 A		
<b>NEMA Nom. Eff.</b>	88.5	<b>Power Factor</b>	93	<b>Line-line Res. @ 25°C</b>	1.45 Ω
<b>Rating - Duty</b>	40C AMB-CONT		<b>Temp. Rise @ Rated Load</b>	74°C	
<b>S.F. Amps</b>			<b>Temp. Rise @ S.F. Load</b>	91°C	
			<b>Locked-rotor Power Factor</b>	48	
			<b>Rotor inertia</b>	0.178 LB-FT <sup>2</sup>	

**Load Characteristics 460 V, 60 Hz, 7.5 HP**

<b>% of Rated Load</b>	<b>25</b>	<b>50</b>	<b>75</b>	<b>100</b>	<b>125</b>	<b>150</b>	<b>S.F.</b>
<b>Power Factor</b>	63	83	91	94	95	96	95
<b>Efficiency</b>	83.3	88.4	89.3	88.7	87.6	86.1	88
<b>Speed</b>	3564	3535	3506	3468	3432	3391	3446
<b>Line amperes</b>	3.51	4.89	6.61	8.52	10.7	12.9	9.83

Performance Graph at 460V, 60Hz, 7.5HP Typical performance - Not guaranteed values





**AC Induction Motor Performance Data**

Record # 20871

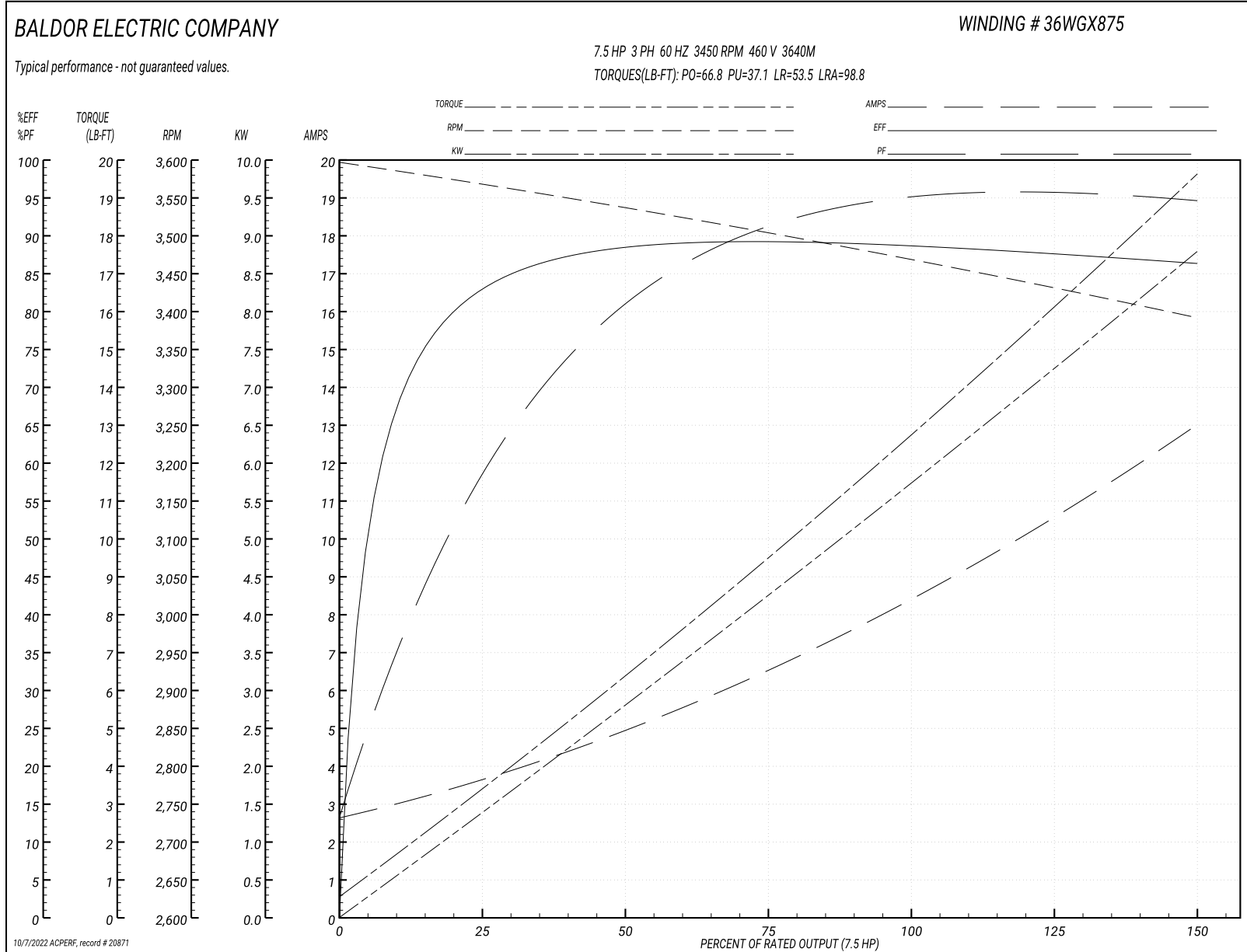
Typical performance - not guaranteed values

<b>Winding: 36WGX875-R004</b>		<b>Type: 3640M</b>		<b>Enclosure: TEFC</b>	
<b>Nameplate Data</b>			<b>460 V, 60 Hz: High Voltage Connection</b>		
<b>Rated Output (HP)</b>	7.5	<b>Full Load Torque</b>	11.5 LB-FT		
<b>Volts</b>	208-230/460	<b>Start Configuration</b>	direct on line		
<b>Full Load Amps</b>	18.5-17.4/8.7	<b>Breakdown Torque</b>	66.8 LB-FT		
<b>R.P.M.</b>	3450	<b>Pull-up Torque</b>	37.1 LB-FT		
<b>Hz</b>	60 <b>Phase</b>	3	<b>Locked-rotor Torque</b>	53.5 LB-FT	
<b>NEMA Design Code</b>	A	<b>KVA Code</b>	M	<b>Starting Current</b>	98.8 A
<b>Service Factor (S.F.)</b>	1.15	<b>No-load Current</b>	2.78 A		
<b>NEMA Nom. Eff.</b>	88.5	<b>Power Factor</b>	93	<b>Line-line Res. @ 25°C</b>	1.45 Ω
<b>Rating - Duty</b>	40C AMB-CONT		<b>Temp. Rise @ Rated Load</b>	74°C	
<b>S.F. Amps</b>			<b>Temp. Rise @ S.F. Load</b>	91°C	
			<b>Locked-rotor Power Factor</b>	48	
			<b>Rotor inertia</b>	0.178 LB-FT <sup>2</sup>	

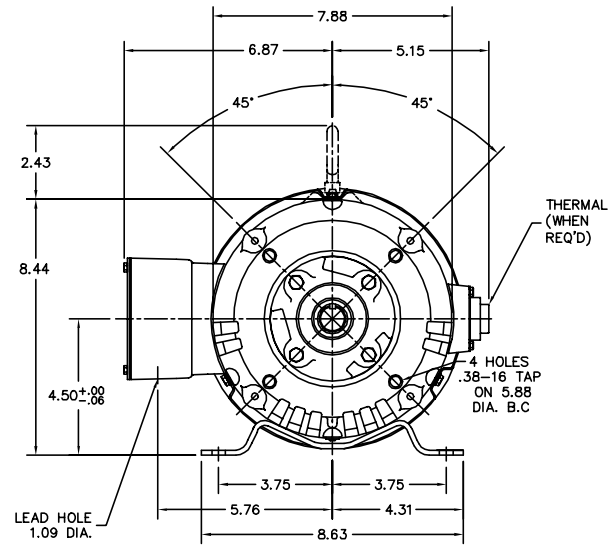
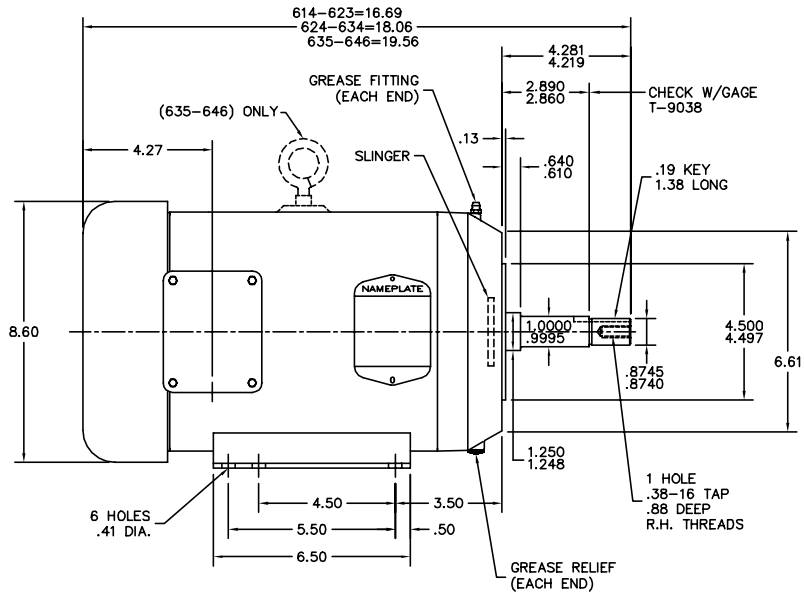
**Load Characteristics 460 V, 60 Hz, 7.5 HP**

<b>% of Rated Load</b>	<b>25</b>	<b>50</b>	<b>75</b>	<b>100</b>	<b>125</b>	<b>150</b>	<b>S.F.</b>
<b>Power Factor</b>	63	83	91	94	95	96	95
<b>Efficiency</b>	83.3	88.4	89.3	88.7	87.6	86.1	88
<b>Speed</b>	3564	3535	3506	3468	3432	3391	3446
<b>Line amperes</b>	3.51	4.89	6.61	8.52	10.7	12.9	9.83

Performance Graph at 460V, 60Hz, 7.5HP Typical performance - Not guaranteed values



36LYH017



CUSTOMER IS RESPONSIBLE FOR DETERMINING THAT MOTOR PERFORMANCE IS SUITABLE IN THE APPLICATION.

REV. DESC: ADDED KOBX LEAD HOLE DIM			
REV. LTR: M	BY: RMP	REVISED: 07:25:39 09/09/2004	TDR: 342770
FILE: AAA00004174		REF: 36LYH017	
MTL: -			

**BALDOR ELECTRIC Co.**

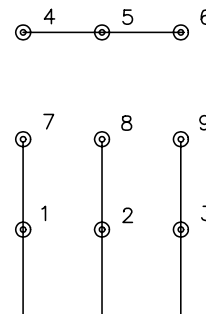
STD HORZ 182-4JM TEFC 36M

36LYH017

CD0005

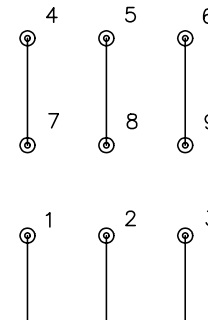


LOW VOLTAGE  
(2Y)



LINE

HIGH VOLTAGE  
(1Y)



LINE

NOTES:

1. INTERCHANGE ANY TWO LINE LEADS TO REVERSE ROTATION.
2. OPTIONAL THERMOSTATS ARE PROVIDED WHEN SPECIFIED.
3. ACTUAL NUMBER OF INTERNAL PARALLEL CIRCUITS MAY BE A MULTIPLE OF THOSE SHOWN ABOVE.
4. LEAD COLORS ARE OPTIONAL. LEADS MUST ALWAYS BE NUMBERED AS SHOWN.

REV. DESC: REVISE TO SHOW OPTIONAL COLORS			
REV. LTR: E	BY: JLP	REVISED: 01/19/99 10:15	TDR: 0171435
90000		FILE: AAA00005140	MDL: -
		MTL: -	

**BALDOR ELECTRIC Co.**

3PH, DV, 9 LEADS

CD0005