

BALDOR® • RELIANCE 

Product Information Packet

KL1205

.33HP,3450RPM,1PH,60HZ,56C,3413L,OPEN,F1

Part Detail							
Revision:	X	Status:	INA/A	Change #:		Proprietary:	No
Type:	AC	Elec. Spec:	34WG0183	CD Diagram:	CD0001	Mfg Plant:	
Mech. Spec:	34F011	Layout:	34LYF011	Poles:	02	Created Date:	
Base:	N	Eff. Date:	01-21-2015	Leads:	6#18		

Specs			
Catalog Number:	KL1205	Heater Indicator:	No Heater
Enclosure:	ODP	Insulation Class:	B
Frame:	56C	Inverter Code:	Not Inverter
Frame Material:	Steel	KVA Code:	K
Output @ Frequency:	.330 HP @ 60 HZ	Lifting Lugs:	No Lifting Lugs
Synchronous Speed @ Frequency:	3600 RPM @ 60 HZ	Locked Bearing Indicator:	Locked Bearing
Voltage @ Frequency:	230.0 V @ 60 HZ	Motor Lead Quantity/Wire Size:	6 @ 18 AWG
	208.0 V @ 60 HZ	Motor Lead Exit:	Ko Box
	115.0 V @ 60 HZ	Motor Lead Termination:	Flying Leads
XP Division:	Not Applicable	Motor Type:	3413L
Agency Approvals:	UR	Mounting Arrangement:	F1
	CSA	Power Factor:	68
Auxillary Box:	No Auxillary Box	Product Family:	General Purpose
Auxillary Box Lead Termination:	None	Pulley End Bearing Type:	Ball
Base Indicator:	No Mounting	Pulley Face Code:	C-Face
Bearing Grease Type:	Polyrex EM (-20F +300F)	Pulley Shaft Indicator:	Standard
Blower:	None	Rodent Screen:	None
Current @ Voltage:	3.000 A @ 230.0 V	RoHS Status:	ROHS COMPLIANT

	3.200 A @ 208.0 V	Shaft Extension Location:	Pulley End
	3.700 A @ 208.0 V	Shaft Ground Indicator:	No Shaft Grounding
	6.000 A @ 115.0 V	Shaft Rotation:	Reversible
Design Code:	N	Shaft Slinger Indicator:	No Slinger
Drip Cover:	Drip Cover	Speed Code:	Single Speed
Duty Rating:	CONT	Motor Standards:	NEMA
Electrically Isolated Bearing:	Not Electrically Isolated	Starting Method:	Direct on line
Feedback Device:	NO FEEDBACK	Thermal Device - Bearing:	None
Front Face Code:	Drip Cover Mounting	Thermal Device - Winding:	None
Front Shaft Indicator:	None	Vibration Sensor Indicator:	No Vibration Sensor

Nameplate NP1256L										
CAT.NO.	KL1205									
SPEC.	34F11-183									
HP	.33									
VOLTS	115/208-230									
AMP	6/3.2-3									
RPM	3450									
FRAME	56C				HZ	60			PH	1
SER.F.	1.35		CODE	K	DES	N		CLASS	B	
NEMA-NOM-EFF	55		PF	68						
RATING	40C AMB-CONT									
CC								USABLE AT 208V	3.7	
DE	6203				ODE	6203				
ENCL	OPEN		SN							
	SFA 7/3.7-3.5									

Parts List		
Part Number	Description	Quantity
SA009962	SA 34F11-183	1.000 EA
RA006407	RA 34F11-183	1.000 EA
NS2512A01	INSULATOR, CONDUIT BOX X	1.000 EA
34CB3002A	CB CAST W/.88 DIA HOLE	1.000 EA
51XB1016A07	10-16 X 7/16 HXWSSLD SERTYB	2.000 EA
11XW1032G06	10-32 X .38, TAPTITE II, HEX WSHR SLTD U	1.000 EA
51XW0832A07	8-32 X .44, TAPTITE II, HEX WSHR SLTD SE	2.000 EA
SP1006A01	INSULATOR MODEL 35 SWITCH	1.000 EA
34EP3210A03SP	FR ENDPLATE, MACH	1.000 EA
NS2500A01	INSULATOR, AUTO THER PROT	1.000 EA
34CB4800SP	CAPACITOR COVER, STAMPED PRIMED	1.000 EA
51XB1016A05	10-16X5/16HX WA SL SR TYB (F/S)	2.000 EA
HW5100A03	WAVY WASHER (W1543-017)	1.000 EA
34EP3401A01SP	PU ENDPLATE, MACH	1.000 EA
51XN1032A20	10-32 X 1 1/4 HX WS SL SR	2.000 EA
34AD2000	BAFFLE PLATE, STAMPED	1.000 EA
51XT0632A06	6-32X3/8 TY23 HXWS SLDSR	4.000 EA
34FH4000A11	DRIP COVER, STAMPED,PRIMER	1.000 EA
51XW1032A06	10-32 X .38, TAPTITE II, HEX WSHR SLTD S	3.000 EA
34CB4517	CB LID 4 MTG HOLES .22 DIA STAMPED, FOR	1.000 EA
51XW0832A07	8-32 X .44, TAPTITE II, HEX WSHR SLTD SE	4.000 EA
HW2501D13	KEY, 3/16 SQ X 1.375	1.000 EA
HA7000A04	KEY RETAINER 0.625 DIA SHAFTS	1.000 EA
MG1000G27	MED CHARCOAL METALLIC GREY 400-0096	0.014 GA

Parts List (continued)		
Part Number	Description	Quantity
10XF0440S02	04-40 X 1/8 TYPE F HEX HD STAINLESS STIC	2.000 EA
EC1189A02SP	61B2D120189NNBA ELEC CAP, 189-227MFD, 12	1.000 EA
SP5056A24	34 TYPE L STATIONARY SWITCH W/ LEADS	1.000 EA
HA3100A12	THRUBOLT 10-32 X 7.375	4.000 EA
LB1125C01	STD (STOCK) CARTON LABEL BALDOR WITH FLA	1.000 EA
LC0001A01	CONN LABEL / WARNING LABEL (LC0001 / LB1	1.000 EA
NP1256L	ALUM UL CSA CC INDUSTRIAL MOTOR A60	1.000 EA
35PA1066	PKG GRP, PRINT PK1001A01	1.000 EA
PK3083T	STYROFOAM PACKING CRADLE W/TAPE	1.000 EA

AC Induction Motor Performance Data

Record # 50672

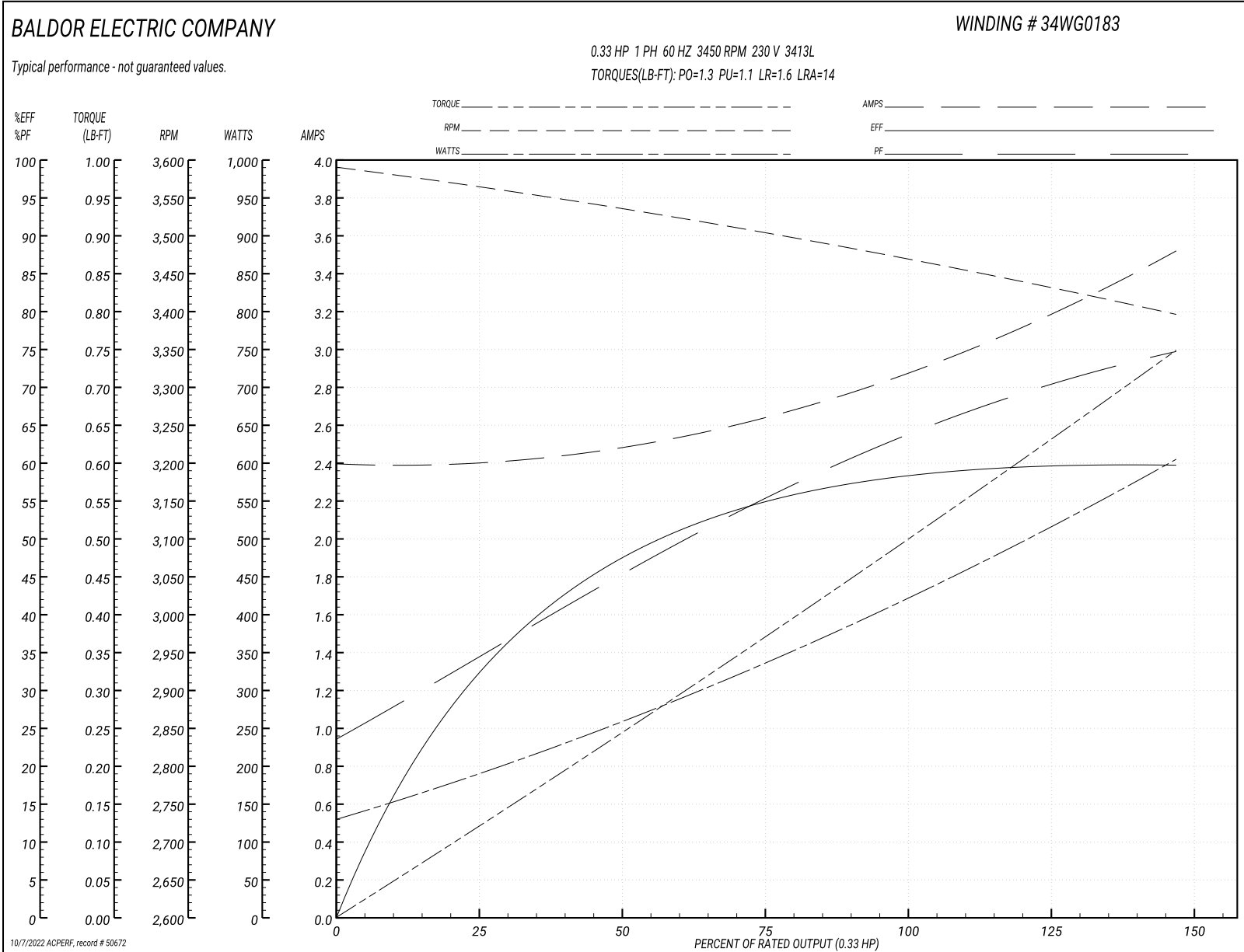
Typical performance - not guaranteed values

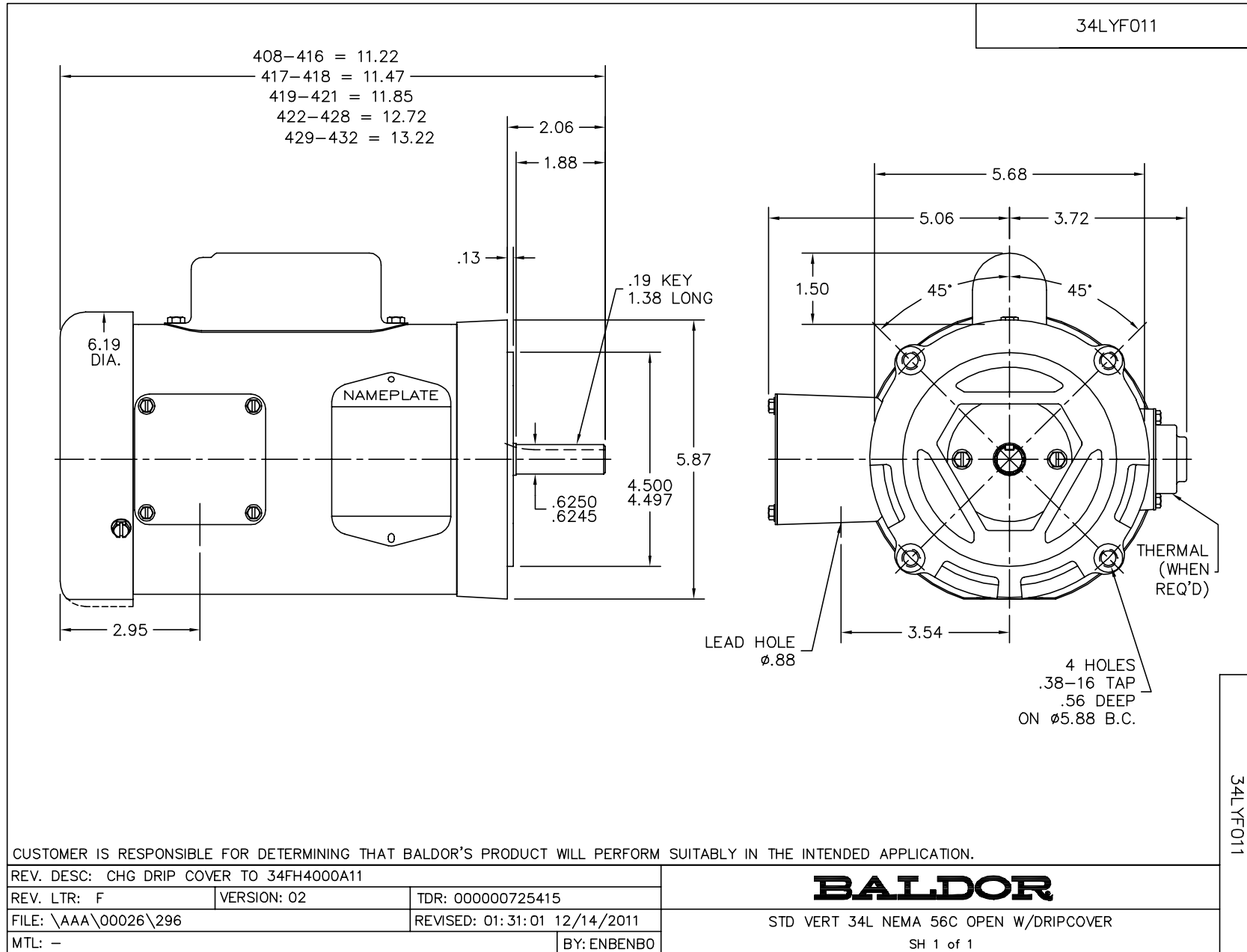
Winding: 34WG0183-R001		Type: 3413L		Enclosure: TEFC	
Nameplate Data			230 V, 60 Hz: High Voltage Connection		
Rated Output (HP)	.33		Full Load Torque	0.5 LB-FT	
Volts	115/208-230		Start Configuration	direct on line	
Full Load Amps	6/3.2-3		Breakdown Torque	1.3 LB-FT	
R.P.M.	3450		Pull-up Torque	1.1 LB-FT	
Hz	60 Phase	1	Locked-rotor Torque	1.6 LB-FT	
NEMA Design Code	N KVA Code	K	Starting Current	14 A	
Service Factor (S.F.)	1.35		No-load Current	2.4 A	
NEMA Nom. Eff.	55 Power Factor	68	Line-line Res. @ 25°C	7.12 Ω A Ph 5.47 Ω B Ph	
Rating - Duty	40C AMB-CONT		Temp. Rise @ Rated Load		
S.F. Amps	7/3.7-3.5		Temp. Rise @ S.F. Load		

Load Characteristics 230 V, 60 Hz, 0.33 HP

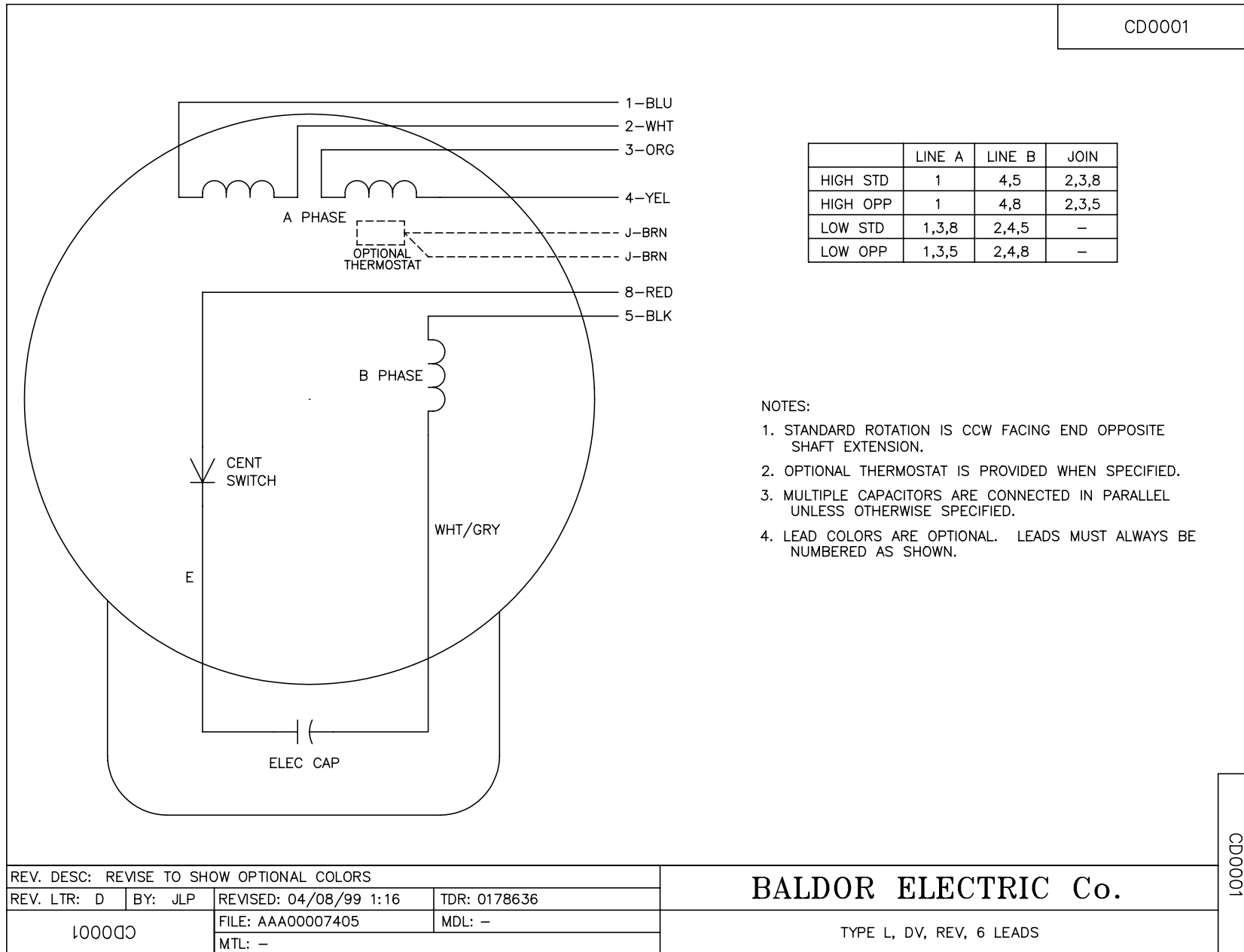
% of Rated Load	25	50	75	100	125	150	S.F.
Power Factor	39	47	56	66	70	75	72
Efficiency	36.3	46.9	53.8	58.8	59.8	59.7	60.2
Speed	3556	3535	3508	3465	3439	3393	3429
Line amperes	2.4	2.5	2.6	2.9	3.2	3.5	3.4

Performance Graph at 230V, 60Hz, 0.33HP Typical performance - Not guaranteed values





CD0001



REV. DESC: REVISE TO SHOW OPTIONAL COLORS			
REV. LTR: D	BY: JLP	REVISED: 04/08/99 1:16	TDR: 0178636
100000		FILE: AAA00007405	MDL: -
		MTL: -	

BALDOR ELECTRIC Co.

TYPE L, DV, REV, 6 LEADS

CD0001