

BALDOR® • RELIANCE 

Product Information Packet

KL1205A

.33HP,3450RPM,1PH,60HZ,56C,3413L,OPEN,F1

Part Detail							
Revision:	AA	Status:	INA/A	Change #:		Proprietary:	No
Type:	AC	Elec. Spec:	34WG0649	CD Diagram:	CD0008	Mfg Plant:	
Mech. Spec:	34-239	Layout:	34LY0239	Poles:	02	Created Date:	
Base:	N	Eff. Date:	03-07-2017	Leads:	7#18		

Specs			
Catalog Number:	KL1205A	Insulation Class:	B
Enclosure:	OPEN	Inverter Code:	Not Inverter
Frame:	56C	KVA Code:	K
Frame Material:	Steel	Lifting Lugs:	No Lifting Lugs
Motor Letter Type:	Cap Start, Induction Run	Locked Bearing Indicator:	Locked Bearing
Output @ Frequency:	.330 HP @ 60 HZ	Motor Lead Quantity/Wire Size:	7 @ 18 AWG
Synchronous Speed @ Frequency:	3600 RPM @ 60 HZ	Motor Lead Exit:	Ko Box
Voltage @ Frequency:	230.0 V @ 60 HZ	Motor Lead Termination:	Flying Leads
	115.0 V @ 60 HZ	Motor Type:	3413L
XP Class and Group:	None	Mounting Arrangement:	F1
XP Division:	Not Applicable	Power Factor:	68
Agency Approvals:	CSA	Product Family:	General Purpose
	UR	Pulley End Bearing Type:	Ball
Auxillary Box:	No Auxillary Box	Pulley Face Code:	C-Face
Auxillary Box Lead Termination:	None	Pulley Shaft Indicator:	Standard
Base Indicator:	No Mounting	Rodent Screen:	None
Bearing Grease Type:	Polyrex EM (-20F +300F)	RoHS Status:	ROHS COMPLIANT
Blower:	None	Shaft Extension Location:	Pulley End

Current @ Voltage:	3.500 A @ 208.0 V	Shaft Ground Indicator:	No Shaft Grounding
	6.000 A @ 115.0 V	Shaft Rotation:	Reversible
	3.000 A @ 230.0 V	Shaft Slinger Indicator:	No Slinger
Design Code:	N	Speed Code:	Single Speed
Drip Cover:	Drip Cover	Motor Standards:	NEMA
Duty Rating:	CONT	Starting Method:	Direct on line
Electrically Isolated Bearing:	Not Electrically Isolated	Thermal Device - Bearing:	None
Feedback Device:	NO FEEDBACK	Thermal Device - Winding:	None
Front Face Code:	Drip Cover Mounting	Vibration Sensor Indicator:	No Vibration Sensor
Front Shaft Indicator:	None	Winding Thermal 1:	Automatic Thermal Overload
Heater Indicator:	No Heater	Winding Thermal 1 Location:	SB

Nameplate NP1257L	
CAT.NO.	KL1205A
SPEC.	34-239-649
HP	.33
VOLTS	115/230
AMP	6/3
RPM	3450
FRAME	56C
SER.F.	1.35
NEMA-NOM-EFF	55
RATING	40C AMB-CONT
CC	
DE	6203
ENCL	OPEN
	SFA 7/3.5
	CODE K
	DES N
	CL B
	PF 68
	HZ 60
	PH 1
	USABLE AT 208V 3.5
	ODE 6203
	SN

Parts List		
Part Number	Description	Quantity
SA008747	SA 34-239-649	1.000 EA
RA005194	RA 34-239-649	1.000 EA
NS2512A01	INSULATOR, CONDUIT BOX X	1.000 EA
34CB3002A	CB CAST W/.88 DIA HOLE	1.000 EA
51XB1016A07	10-16 X 7/16 HXWSSLD SERTYB	2.000 EA
11XW1032G06	10-32 X .38, TAPTITE II, HEX WSHR SLTD U	1.000 EA
51XW0832A07	8-32 X .44, TAPTITE II, HEX WSHR SLTD SE	2.000 EA
34EP3200A03SP	FR ENDPLATE, MACH	1.000 EA
SP1006A01	INSULATOR MODEL 35 SWITCH	1.000 EA
NS2500A01	INSULATOR, AUTO THER PROT	1.000 EA
34CB4800SP	CAPACITOR COVER, STAMPED PRIMED	1.000 EA
51XB1016A05	10-16X5/16HX WA SL SR TYB (F/S)	2.000 EA
HW5100A03	WAVY WASHER (W1543-017)	1.000 EA
34EP3400A05	PU ENDPLATE, MACH	1.000 EA
51XN1032A20	10-32 X 1 1/4 HX WS SL SR	2.000 EA
34AD2000	BAFFLE PLATE, STAMPED	1.000 EA
51XT0632A06	6-32X3/8 TY23 HXWS SLDSR	4.000 EA
34FH4000A11	DRIP COVER, STAMPED,PRIMER	1.000 EA
51XW1032A06	10-32 X .38, TAPTITE II, HEX WSHR SLTD S	3.000 EA
34CB4517	CB LID 4 MTG HOLES .22 DIA STAMPED, FOR	1.000 EA
51XW0832A07	8-32 X .44, TAPTITE II, HEX WSHR SLTD SE	4.000 EA
HW2501D13	KEY, 3/16 SQ X 1.375	1.000 EA
HA7000A04	KEY RETAINER 0.625 DIA SHAFTS	1.000 EA
MG1000G27	MED CHARCOAL METALLIC GREY 400-0096	0.014 GA

Parts List (continued)		
Part Number	Description	Quantity
10XF0440S02	04-40 X 1/8 TYPE F HEX HD STAINLESS STIC	2.000 EA
SP5051B16	MDL 34 TORQ STAT SW,TYPE L , STD F1 & F2	1.000 EA
EC1189A02SP	61B2D120189NNBA ELEC CAP, 189-227MFD, 12	1.000 EA
HA3100A12	THRUBOLT 10-32 X 7.375	4.000 EA
LB1118	LABEL,WARNING (ROLL LABEL)	1.000 EA
LC0008	CONNECTION LABEL	1.000 EA
NP1257L	ALUM UL CSA CC THERMAL REV MTG	1.000 EA
35PA1066	PKG GRP, PRINT PK1001A01	1.000 EA
PK3083T	STYROFOAM PACKING CRADLE W/TAPE	1.000 EA

AC Induction Motor Performance Data

Record # 6592

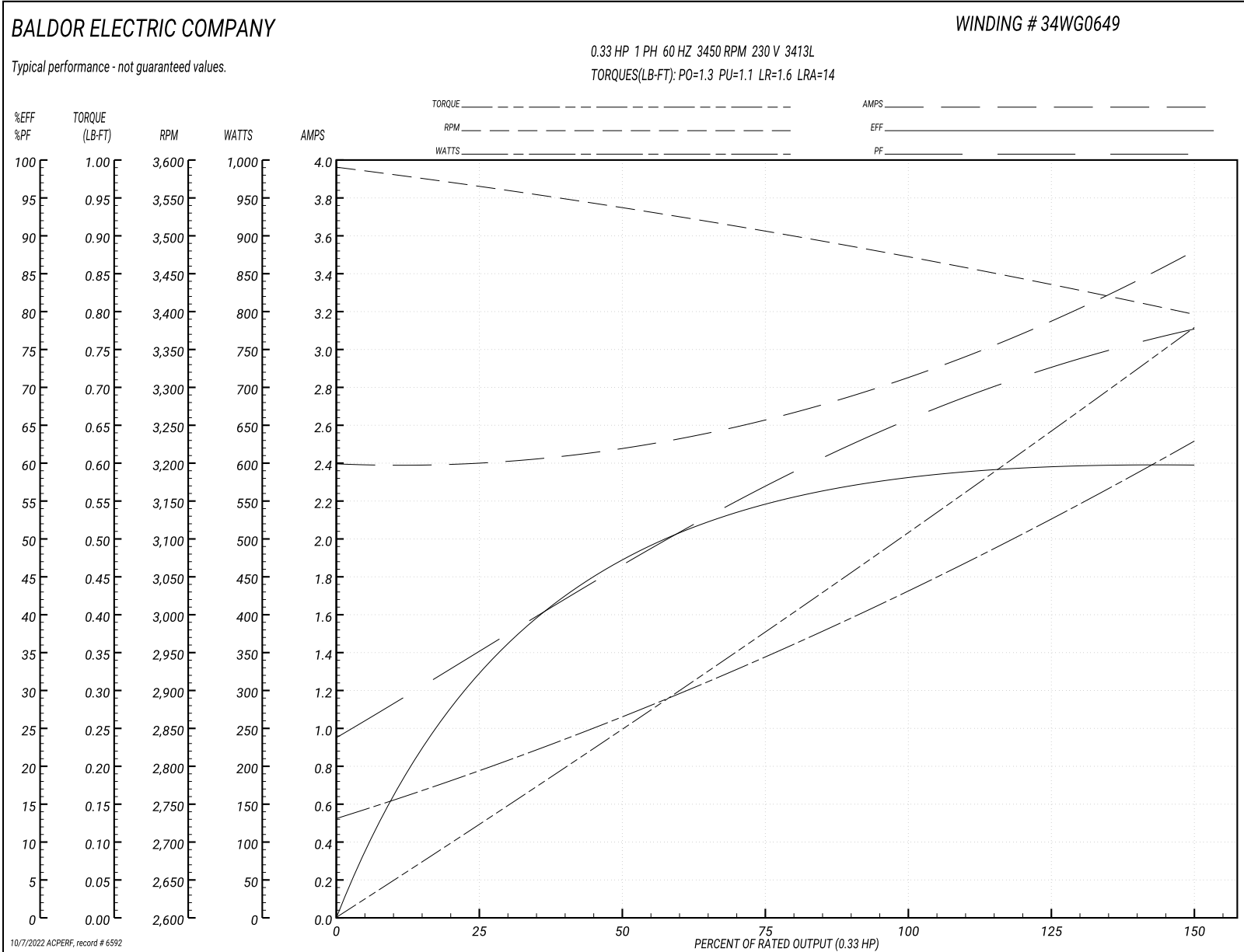
Typical performance - not guaranteed values

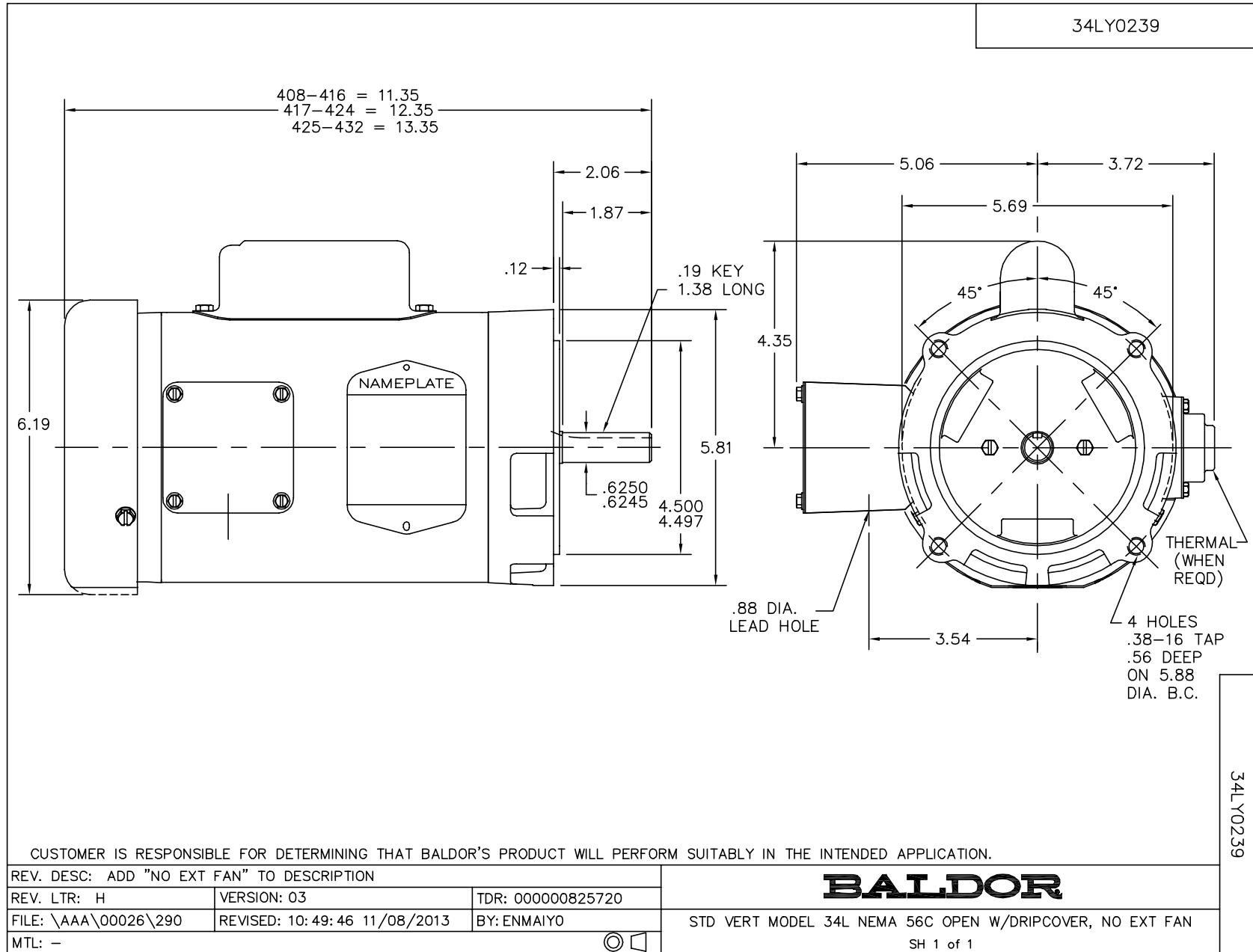
Winding: 34WG0649-R001		Type: 3413L	Enclosure: OPEN
Nameplate Data		230 V, 60 Hz: High Voltage Connection	
Rated Output (HP)	.33	Full Load Torque	0.52 LB-FT
Volts	115/230	Start Configuration	direct on line
Full Load Amps	6/3	Breakdown Torque	1.3 LB-FT
R.P.M.	3450	Pull-up Torque	1.1 LB-FT
Hz	60 Phase 1	Locked-rotor Torque	1.6 LB-FT
NEMA Design Code	N KVA Code K	Starting Current	14 A
Service Factor (S.F.)	1.35	No-load Current	2.4 A
NEMA Nom. Eff.	55 Power Factor 68	Line-line Res. @ 25°C	7.12 Ω A Ph 5.47 Ω B Ph
Rating - Duty	40C AMB-CONT	Temp. Rise @ Rated Load	31°C
S.F. Amps	7/3.5	Temp. Rise @ S.F. Load	42°C

Load Characteristics 230 V, 60 Hz, 0.33 HP

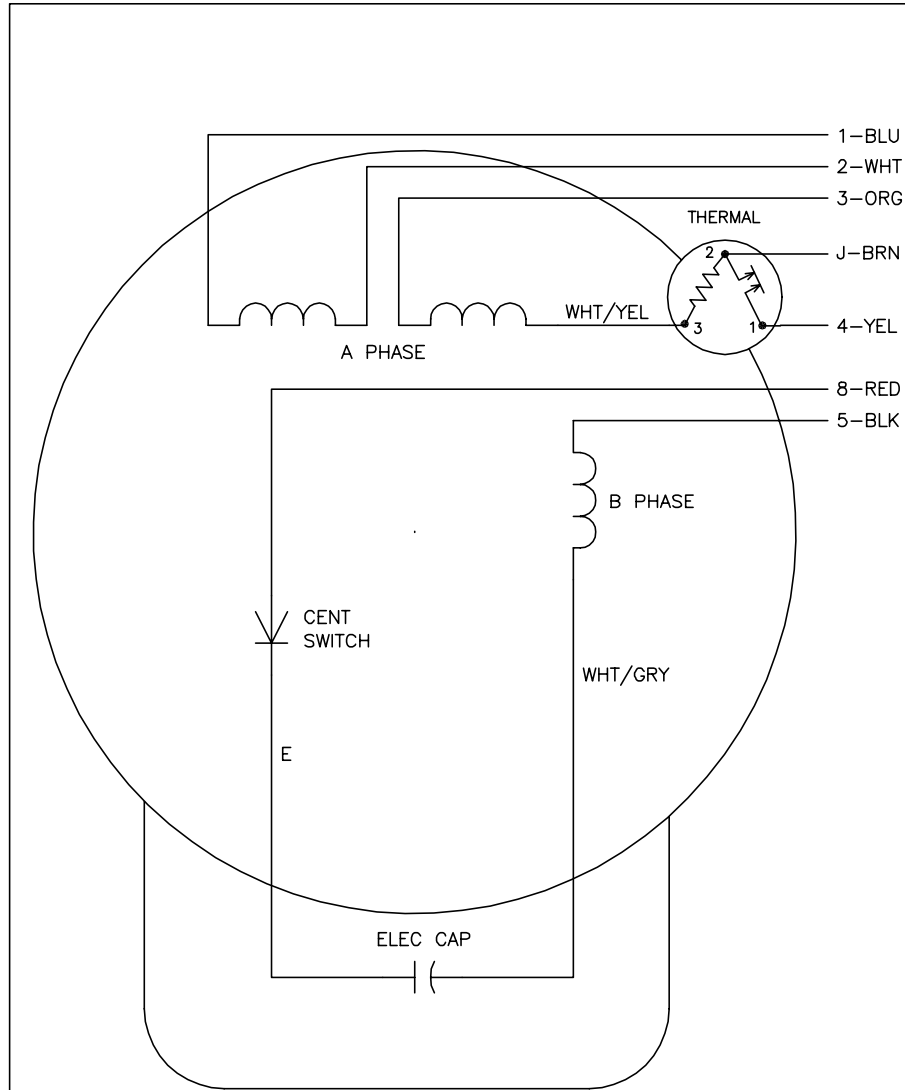
% of Rated Load	25	50	75	100	125	150	S.F.
Power Factor	39	47	56	66	70	75	72
Efficiency	36.3	46.9	53.8	58.8	59.8	59.7	60.2
Speed	3556	3535	3508	3465	3439	3393	3429
Line amperes	2.4	2.5	2.6	2.9	3.2	3.5	3.4

Performance Graph at 230V, 60Hz, 0.33HP Typical performance - Not guaranteed values





CD0008



	LINE A	LINE B	JOIN	JOIN
HIGH STD	1	4	2,3,8	J,5
HIGH OPP	1	4	2,3,5	J,8
LOW STD	1,3,8	4	-	2,J,5
LOW OPP	1,3,5	4	-	2,J,8

NOTES:

1. STANDARD ROTATION IS CCW FACING END OPPOSITE SHAFT EXTENSION.
2. MULTIPLE CAPACITORS ARE CONNECTED IN PARALLEL UNLESS OTHERWISE SPECIFIED.
3. LEAD COLORS ARE OPTIONAL. LEADS MUST ALWAYS BE NUMBERED AS SHOWN.

REV. DESC: REMOVE 2-TERMINAL THERMAL DETAIL, SEE CD0008A02		
REV. LTR: F	VERSION: 01	TDR: 000000360649
80000	FILE: \AAA\00007\408	REVISED: 10:56:54 04/18/2005
	MTL: -	BY: ENJOEPO

BALDOR ELECTRIC Co.

TYPE L, DV, REV, THERMAL, 7 LEADS

CD0008