

**BALDOR® • RELIANCE** 

**Product Information Packet**

**KNM3454**

**.25HP,1735RPM,3PH,60HZ,56C,3410M,TENV,F1**

Part Detail							
Revision:	-	Status:	PRD/A	Change #:		Proprietary:	No
Type:	AC	Elec. Spec:	34WGR713	CD Diagram:	CD0005	Mfg Plant:	
Mech. Spec:	34K013	Layout:	34LYK013	Poles:	04	Created Date:	
Base:	N	Eff. Date:	02-17-2021	Leads:	9#18		

Specs			
Catalog Number:	KNM3454	Heater Indicator:	No Heater
Enclosure:	TENV	Insulation Class:	F
Frame:	56C	Inverter Code:	Not Inverter
Frame Material:	Steel	KVA Code:	L
Motor Letter Type:	Three Phase	Lifting Lugs:	No Lifting Lugs
Output @ Frequency:	.250 HP @ 60 HZ	Locked Bearing Indicator:	Locked Bearing
Synchronous Speed @ Frequency:	1800 RPM @ 60 HZ	Motor Lead Quantity/Wire Size:	9 @ 18 AWG
Voltage @ Frequency:	208.0 V @ 60 HZ	Motor Lead Exit:	Ko Box
	230.0 V @ 60 HZ	Motor Lead Termination:	Flying Leads
	460.0 V @ 60 HZ	Motor Type:	3410M
XP Class and Group:	None	Mounting Arrangement:	F1
XP Division:	Not Applicable	Power Factor:	63
Agency Approvals:	UR	Product Family:	General Purpose
	CSA	Pulley End Bearing Type:	Ball
Auxillary Box:	No Auxillary Box	Pulley Face Code:	C-Face
Auxillary Box Lead Termination:	None	Pulley Shaft Indicator:	Standard
Base Indicator:	No Mounting	Rodent Screen:	None
Bearing Grease Type:	Polyrex EM (-20F +300F)	RoHS Status:	ROHS COMPLIANT

<b>Blower:</b>	None	<b>Shaft Extension Location:</b>	Pulley End
<b>Current @ Voltage:</b>	.600 A @ 460.0 V	<b>Shaft Ground Indicator:</b>	No Shaft Grounding
	1.100 A @ 208.0 V	<b>Shaft Rotation:</b>	Reversible
	1.200 A @ 230.0 V	<b>Shaft Slinger Indicator:</b>	No Slinger
<b>Design Code:</b>	B	<b>Speed Code:</b>	Single Speed
<b>Drip Cover:</b>	No Drip Cover	<b>Motor Standards:</b>	NEMA
<b>Duty Rating:</b>	CONT	<b>Starting Method:</b>	Direct on line
<b>Electrically Isolated Bearing:</b>	Not Electrically Isolated	<b>Thermal Device - Bearing:</b>	None
<b>Feedback Device:</b>	NO FEEDBACK	<b>Thermal Device - Winding:</b>	None
<b>Front Face Code:</b>	Standard	<b>Vibration Sensor Indicator:</b>	No Vibration Sensor
<b>Front Shaft Indicator:</b>	None	<b>Winding Thermal 1:</b>	None
		<b>Winding Thermal 2:</b>	None

Nameplate NP1256L										
CAT.NO.	KNM3454									
SPEC.	34K013R713									
HP	.25									
VOLTS	208-230/460									
AMP	1.1-1.2/.6									
RPM	1735									
FRAME	56C				HZ	60			PH	3
SER.F.	1.00		CODE	L	DES	B		CLASS	F	
NEMA-NOM-EFF	62		PF	63						
RATING	40C AMB-CONT									
CC								USABLE AT 208V	1.1	
DE	6203			ODE	6203					
ENCL	TENV		SN							

Parts List		
Part Number	Description	Quantity
SA390571	SA 34K013R713	1.000 EA
RA381023	RA 34K013R713	1.000 EA
NS2512A01	INSULATOR, CONDUIT BOX X	1.000 EA
34CB3002A	CB CAST W/.88 DIA HOLE	1.000 EA
34GS1029A01	GASKET, CONDUIT BOX	1.000 EA
51XB1016A07	10-16 X 7/16 HXWSSLD SERTYB	2.000 EA
11XW1032G06	10-32 X .38, TAPTITE II, HEX WSHR SLTD U	1.000 EA
34EP3100A03SP	FR ENDPLATE, MACH	1.000 EA
HW5100A03	WAVY WASHER (W1543-017)	1.000 EA
34EP3300A24SP	PU ENDPLATE, MACH	1.000 EA
51XN1032A20	10-32 X 1 1/4 HX WS SL SR	2.000 EA
34CB4517	CB LID 4 MTG HOLES .22 DIA STAMPED, FOR	1.000 EA
34GS1031A01	GASKET, FLAT CONDUIT BOX LID (LEXIDE)	1.000 EA
51XW0832A07	8-32 X .44, TAPTITE II, HEX WSHR SLTD SE	4.000 EA
HW2501D13	KEY, 3/16 SQ X 1.375	1.000 EA
HA7000A04	KEY RETAINER 0.625 DIA SHAFTS	1.000 EA
MG1000G27	MED CHARCOAL METALLIC GREY 400-0096	0.014 GA
85XU0407S04	4X1/4 U DRIVE PIN STAINLESS	2.000 EA
HA3100A12	THRUBOLT 10-32 X 7.375	4.000 EA
LC0005E01	CONN.DIA./WARNING LABEL (LC0005/LB1119N)	1.000 EA
NP1256L	ALUM UL CSA CC INDUSTRIAL MOTOR A60	1.000 EA
35PA1066	PKG GRP, PRINT PK1001A01	1.000 EA
MN416A01	TAG-INSTAL-MAINT no wire (2200bx) 4/22	1.000 EA

**AC Induction Motor Performance Data**

Record # 86756

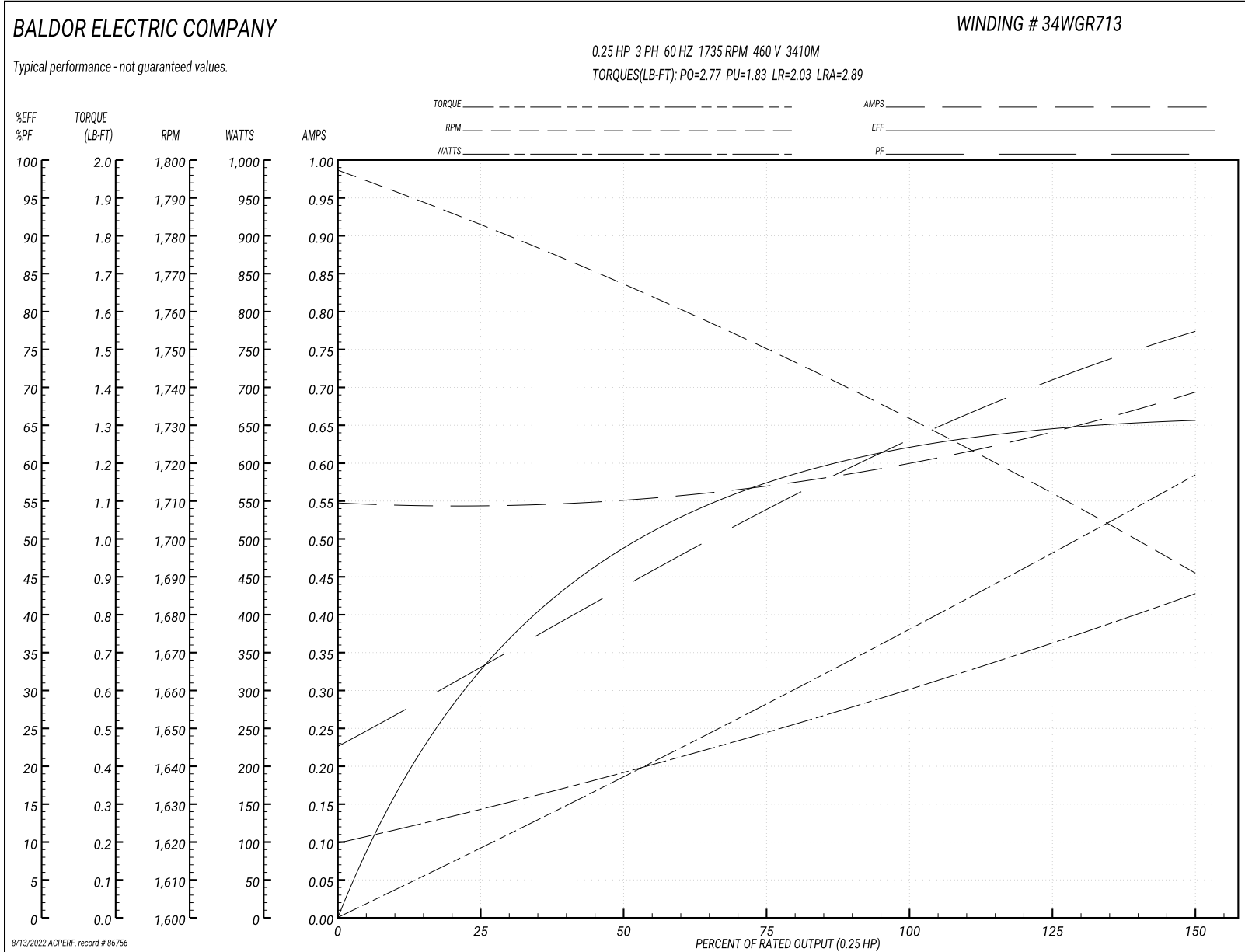
Preliminary Data Sheet

<b>Winding:</b> 34WGR713-R002		<b>Type:</b> 3410M		<b>Enclosure:</b> TENV	
<b>Nameplate Data</b>			<b>460 V, 60 Hz: High Voltage Connection</b>		
<b>Rated Output (HP)</b>	0.25	<b>Full Load Torque</b>	0.76 LB-FT		
<b>Volts</b>	208-230/460	<b>Start Configuration</b>	direct on line		
<b>Full Load Amps</b>	1.1-1.2/0.6	<b>Breakdown Torque</b>	2.77 LB-FT		
<b>R.P.M.</b>	1735	<b>Pull-up Torque</b>	1.83 LB-FT		
<b>Hz</b>	60 <b>Phase</b>	3	<b>Locked-rotor Torque</b>	2.03 LB-FT	
<b>NEMA Design Code</b>	<b>B KVA Code</b>	L	<b>Starting Current</b>	2.89 A	
<b>Service Factor (S.F.)</b>		1	<b>No-load Current</b>	0.545 A	
<b>NEMA Nom. Eff.</b>	63.4	<b>Power Factor</b>	63	<b>Line-line Res. @ 25°C</b>	98.9 Ω
<b>Rating - Duty</b>	40C AMB-CONT		<b>Temp. Rise @ Rated Load</b>	57°C	
			<b>Locked-rotor Power Factor</b>	84.1	
			<b>Rotor inertia</b>	0.0238 lb-ft <sup>2</sup>	

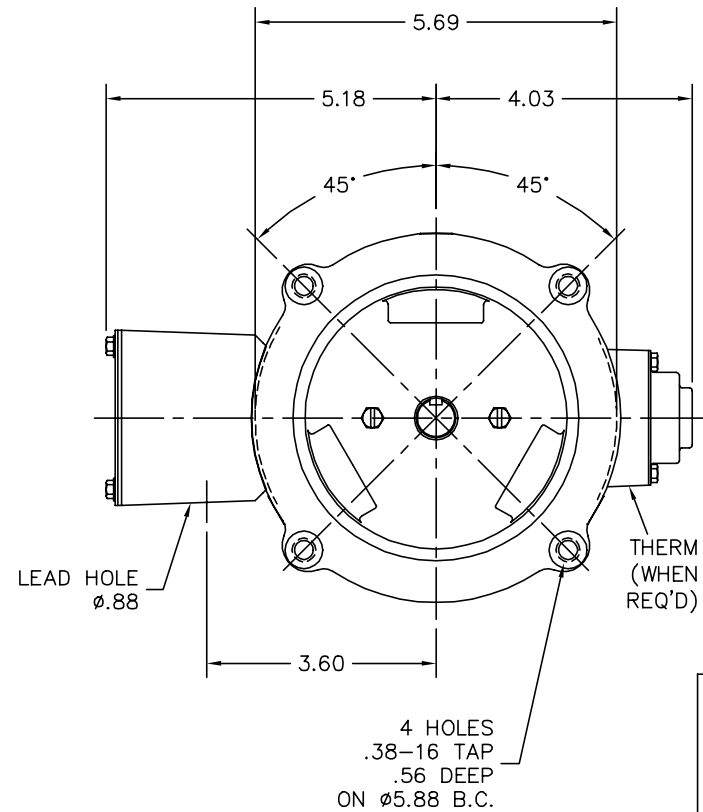
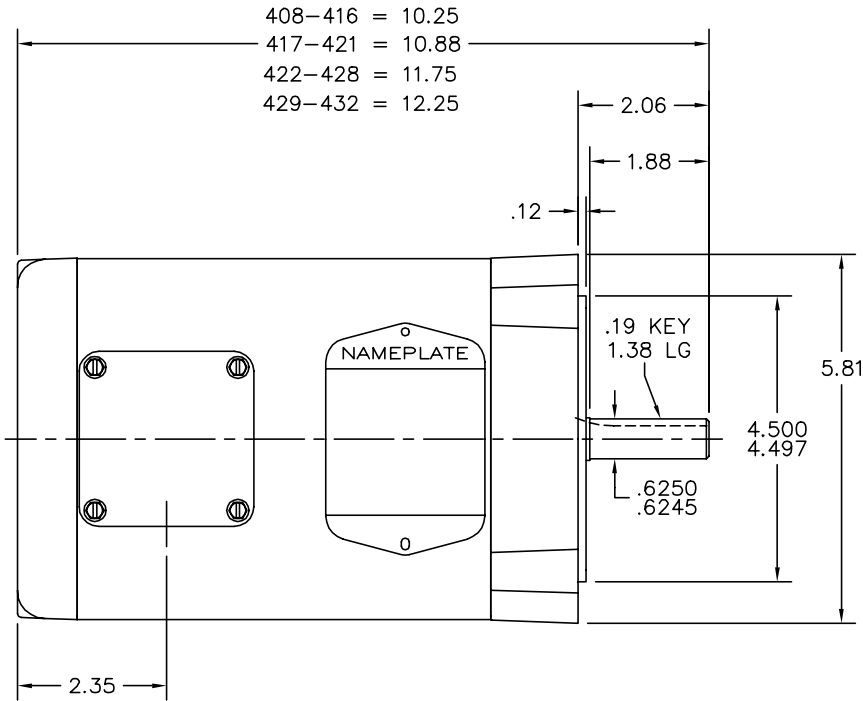
**Load Characteristics 460 V, 60 Hz, 0.25 HP**

<b>% of Rated Load</b>	<b>25</b>	<b>50</b>	<b>75</b>	<b>100</b>	<b>125</b>	<b>150</b>
<b>Power Factor</b>	33	43	54	63	71	78
<b>Efficiency</b>	34.9	50.2	58.6	63.4	65.6	66.1
<b>Speed</b>	1781	1767	1751	1733	1713	1690
<b>Line amperes</b>	0.547	0.552	0.568	0.598	0.64	0.695


Performance Graph at 460V, 60Hz, 0.25HP Typical performance - Not guaranteed values



34LYK013



CUSTOMER IS RESPONSIBLE FOR DETERMINING THAT BALDOR'S PRODUCT WILL PERFORM SUITABLY IN THE INTENDED APPLICATION.

REV. DESC: UPDAYE LAYOUT GRAPHICS		
REV. LTR: E	VERSION: 02	TDR: 000001189903
FILE: \AAA\00026\147	REVISED: 01:36:30 04/26/2022	BY: ENJFDO
MTL: -		

**BALDOR - RELIANCE®**

STD VERT 34M NEMA 56C TENV

SH 1 of 1

34LYK013



CD0005

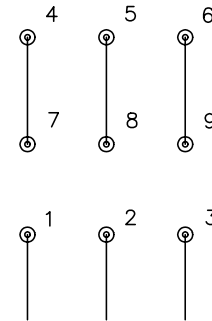


LOW VOLTAGE  
(2Y)



LINE

HIGH VOLTAGE  
(1Y)



LINE

NOTES:

1. INTERCHANGE ANY TWO LINE LEADS TO REVERSE ROTATION.
2. OPTIONAL THERMOSTATS ARE PROVIDED WHEN SPECIFIED.
3. ACTUAL NUMBER OF INTERNAL PARALLEL CIRCUITS MAY BE A MULTIPLE OF THOSE SHOWN ABOVE.
4. LEAD COLORS ARE OPTIONAL. LEADS MUST ALWAYS BE NUMBERED AS SHOWN.

REV. DESC: REVISE TO SHOW OPTIONAL COLORS			
REV. LTR: E	BY: JLP	REVISED: 01/19/99 10:15	TDR: 0171435
90000		FILE: AAA00005140	MDL: -
		MTL: -	

**BALDOR ELECTRIC Co.**

3PH, DV, 9 LEADS

CD0005