

BALDOR® • RELIANCE 

Product Information Packet

L1302

.33HP, 1140RPM, 1PH, 60HZ, 56, 3424L, OPEN, F1

Part Detail							
Revision:	U	Status:	INA/A	Change #:		Proprietary:	No
Type:	AC	Elec. Spec:	34WG5855	CD Diagram:	CD0001	Mfg Plant:	
Mech. Spec:	34F005	Layout:	34LYF005	Poles:	06	Created Date:	
Base:	RG	Eff. Date:	01-21-2015	Leads:	6#18		

Specs			
Catalog Number:	L1302	Insulation Class:	B
Enclosure:	ODP	Inverter Code:	Not Inverter
Frame:	56	KVA Code:	M
Frame Material:	Steel	Lifting Lugs:	No Lifting Lugs
Output @ Frequency:	.330 HP @ 60 HZ	Locked Bearing Indicator:	No Locked Bearing
Synchronous Speed @ Frequency:	1200 RPM @ 60 HZ	Motor Lead Quantity/Wire Size:	6 @ 18 AWG
Voltage @ Frequency:	115.0 V @ 60 HZ	Motor Lead Exit:	Ko Box
	230.0 V @ 60 HZ	Motor Lead Termination:	Flying Leads
XP Division:	Not Applicable	Motor Type:	3424L
Agency Approvals:	UR	Mounting Arrangement:	F1
	CSA	Power Factor:	55
Auxillary Box:	No Auxillary Box	Product Family:	General Purpose
Auxillary Box Lead Termination:	None	Pulley End Bearing Type:	Ball
Base Indicator:	Rigid	Pulley Face Code:	Standard
Bearing Grease Type:	Polyrex EM (-20F +300F)	Pulley Shaft Indicator:	Standard
Blower:	None	Rodent Screen:	None
Current @ Voltage:	3.700 A @ 230.0 V	RoHS Status:	ROHS COMPLIANT
	4.300 A @ 208.0 V	Shaft Extension Location:	Pulley End

	7.400 A @ 115.0 V	Shaft Ground Indicator:	No Shaft Grounding
Design Code:	N	Shaft Rotation:	Reversible
Drip Cover:	No Drip Cover	Shaft Slinger Indicator:	No Slinger
Duty Rating:	CONT	Speed Code:	Single Speed
Electrically Isolated Bearing:	Not Electrically Isolated	Motor Standards:	NEMA
Feedback Device:	NO FEEDBACK	Starting Method:	Direct on line
Front Face Code:	Standard	Thermal Device - Bearing:	None
Front Shaft Indicator:	None	Thermal Device - Winding:	None
Heater Indicator:	No Heater	Vibration Sensor Indicator:	No Vibration Sensor

Nameplate NP1256L										
CAT.NO.	L1302									
SPEC.	34F05-5855									
HP	.33									
VOLTS	115/230									
AMP	7.4/3.7									
RPM	1140									
FRAME	56					HZ	60		PH	1
SER.F.	1.35					CODE	M		DES	N
NEMA-NOM-EFF	54					PF	55		CLASS	B
RATING	40C AMB-CONT									
CC								USABLE AT 208V	4.3	
DE	6203					ODE	6203			
ENCL	OPEN					SN				
	SFA 8.2/4.1									

Parts List		
Part Number	Description	Quantity
SA007643	SA 34F05-5855	1.000 EA
RA004030	RA 34F05-5855	1.000 EA
NS2512A01	INSULATOR, CONDUIT BOX X	1.000 EA
34CB3002A	CB CAST W/.88 DIA HOLE	1.000 EA
51XB1016A07	10-16 X 7/16 HXWSSLD SERTYB	2.000 EA
11XW1032G06	10-32 X .38, TAPTITE II, HEX WSHR SLTD U	1.000 EA
51XW0832A07	8-32 X .44, TAPTITE II, HEX WSHR SLTD SE	2.000 EA
SP1006A01	INSULATOR MODEL 35 SWITCH	1.000 EA
34EP3210A01SP	FR ENDPLATE, MACH	1.000 EA
NS2500A01	INSULATOR, AUTO THER PROT	1.000 EA
34CB4800SP	CAPACITOR COVER, STAMPED PRIMED	1.000 EA
51XB1016A05	10-16X5/16HX WA SL SR TYB (F/S)	2.000 EA
HW5100A03	WAVY WASHER (W1543-017)	1.000 EA
34EP3212A24	PU ENDPLATE, MODEL 34 OPEN	1.000 EA
XY1032A02	10-32 HEX NUT DIRECTIONAL SERRATION	4.000 EA
34CB4517	CB LID 4 MTG HOLES .22 DIA STAMPED, FOR	1.000 EA
51XW0832A07	8-32 X .44, TAPTITE II, HEX WSHR SLTD SE	4.000 EA
HW2501D13	KEY, 3/16 SQ X 1.375	1.000 EA
HA7000A04	KEY RETAINER 0.625 DIA SHAFTS	1.000 EA
MG1000G27	MED CHARCOAL METALLIC GREY 400-0096	0.014 GA
10XF0440S02	04-40 X 1/8 TYPE F HEX HD STAINLESS STIC	2.000 EA
EC1270A02SP	ELEC CAP, 270-324 MFD, 125V, 1.48D X 3.	1.000 EA
SP5056A24	34 TYPE L STATIONARY SWITCH W/ LEADS	1.000 EA
HA3100A45	THRUBOLT 10-32 X 8.875	4.000 EA

Parts List (continued)		
Part Number	Description	Quantity
LB1125C01	STD (STOCK) CARTON LABEL BALDOR WITH FLA	1.000 EA
LC0001A01	CONN LABEL / WARNING LABEL (LC0001 / LB1	1.000 EA
NP1256L	ALUM UL CSA CC INDUSTRIAL MOTOR A60	1.000 EA
34PA1005	PKG GRP, PRINT PK1008A06	1.000 EA

AC Induction Motor Performance Data

Record # 6824

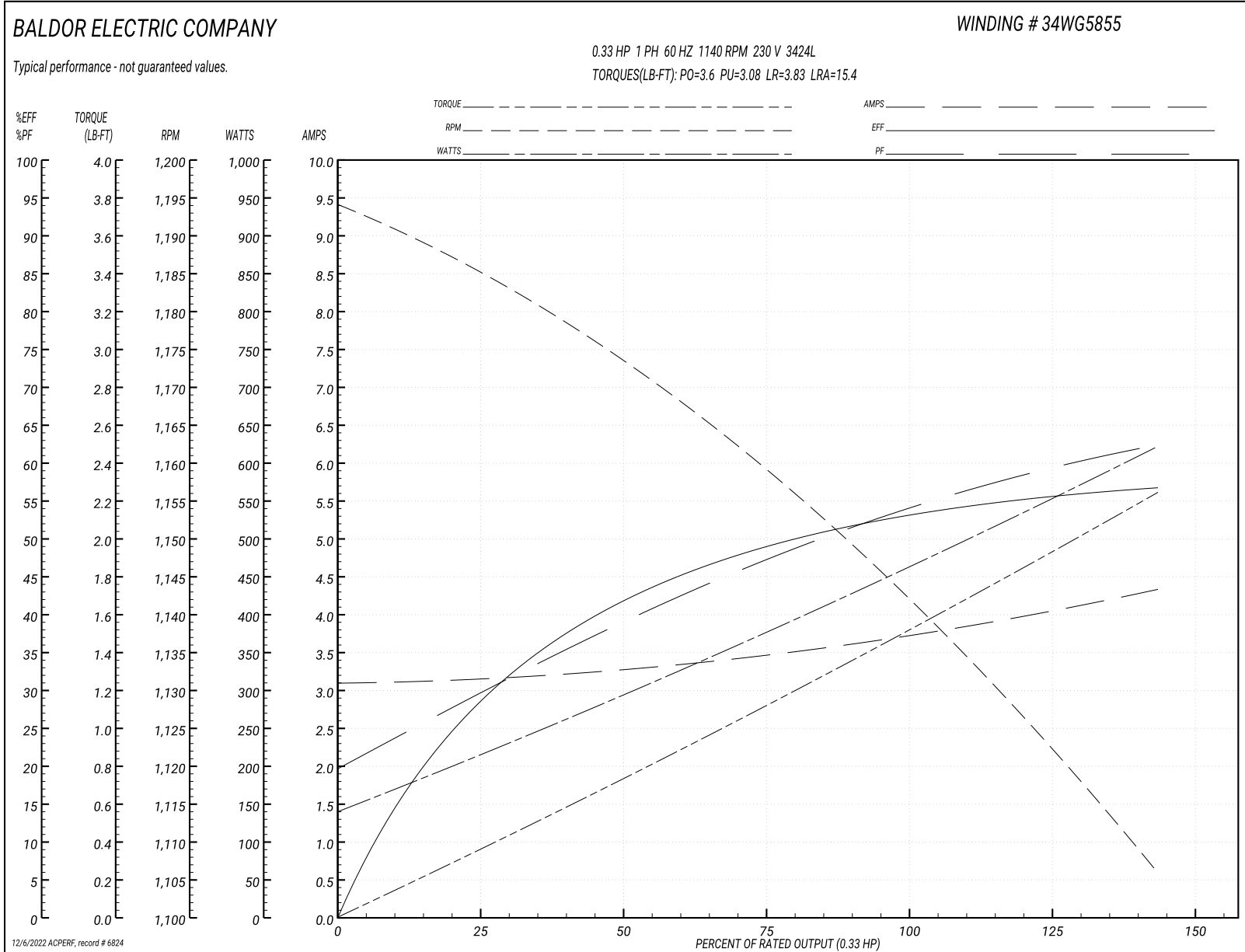
Typical performance - not guaranteed values

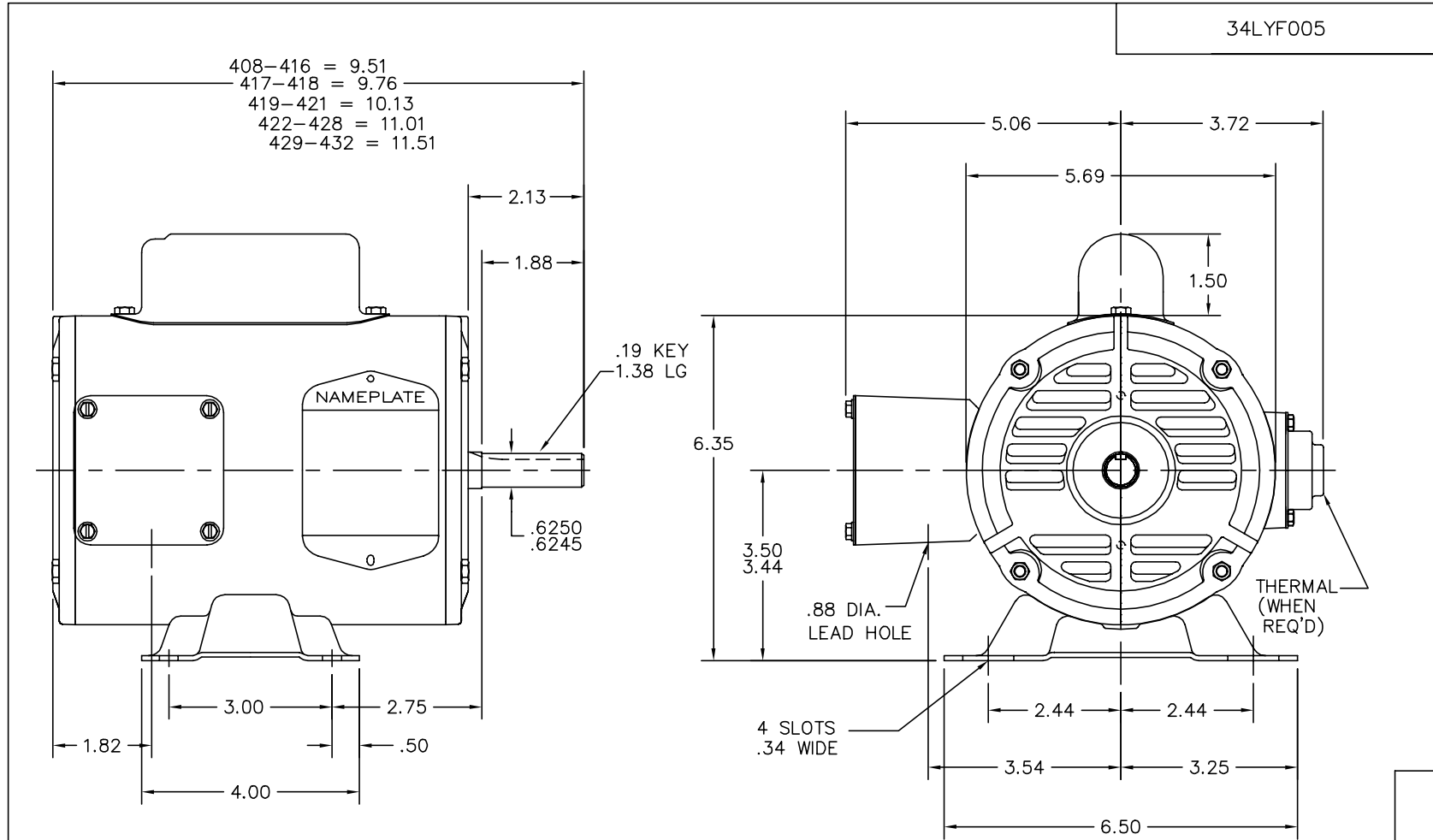
Winding: 34WG5855-R001		Type: 3424L		Enclosure: OPEN	
Nameplate Data			230 V, 60 Hz: High Voltage Connection		
Rated Output (HP)	.33		Full Load Torque	1.5 LB-FT	
Volts	115/230		Start Configuration	direct on line	
Full Load Amps	7.4/3.7		Breakdown Torque	3.6 LB-FT	
R.P.M.	1140		Pull-up Torque	3.08 LB-FT	
Hz	60 Phase	1	Locked-rotor Torque	3.83 LB-FT	
NEMA Design Code	N KVA Code	M	Starting Current	15.4 A	
Service Factor (S.F.)	1.35		No-load Current	3.1 A	
NEMA Nom. Eff.	54 Power Factor	55	Line-line Res. @ 25°C	6.12 Ω A Ph 5.66 Ω B Ph	
Rating - Duty	40C AMB-CONT		Temp. Rise @ Rated Load	67°C	
S.F. Amps	8.2/4.1		Temp. Rise @ S.F. Load	82°C	

Load Characteristics 230 V, 60 Hz, 0.33 HP

% of Rated Load	25	50	75	100	125	150	S.F.
Power Factor	30	39	48	55	61	67	65
Efficiency	27	41	50	54	56	56	56
Speed	1185	1170	1160	1145	1125	1105	1115
Line amperes	3.1	3.35	3.5	3.7	3.9	4.4	4.1

Performance Graph at 230V, 60Hz, 0.33HP Typical performance - Not guaranteed values





CUSTOMER IS RESPONSIBLE FOR DETERMINING THAT BALDOR'S PRODUCT WILL PERFORM SUITABLY IN THE INTENDED APPLICATION.

REV. DESC: NEW PUEP MACHINING TO GIVE INFN MORE ROOM		
REV. LTR: G	VERSION: 03	TDR: 000000570375
FILE: \AAA\00026\294		REVISED: 04: 45: 14 12/06/2010
MTL: -		BY: ENJERWO

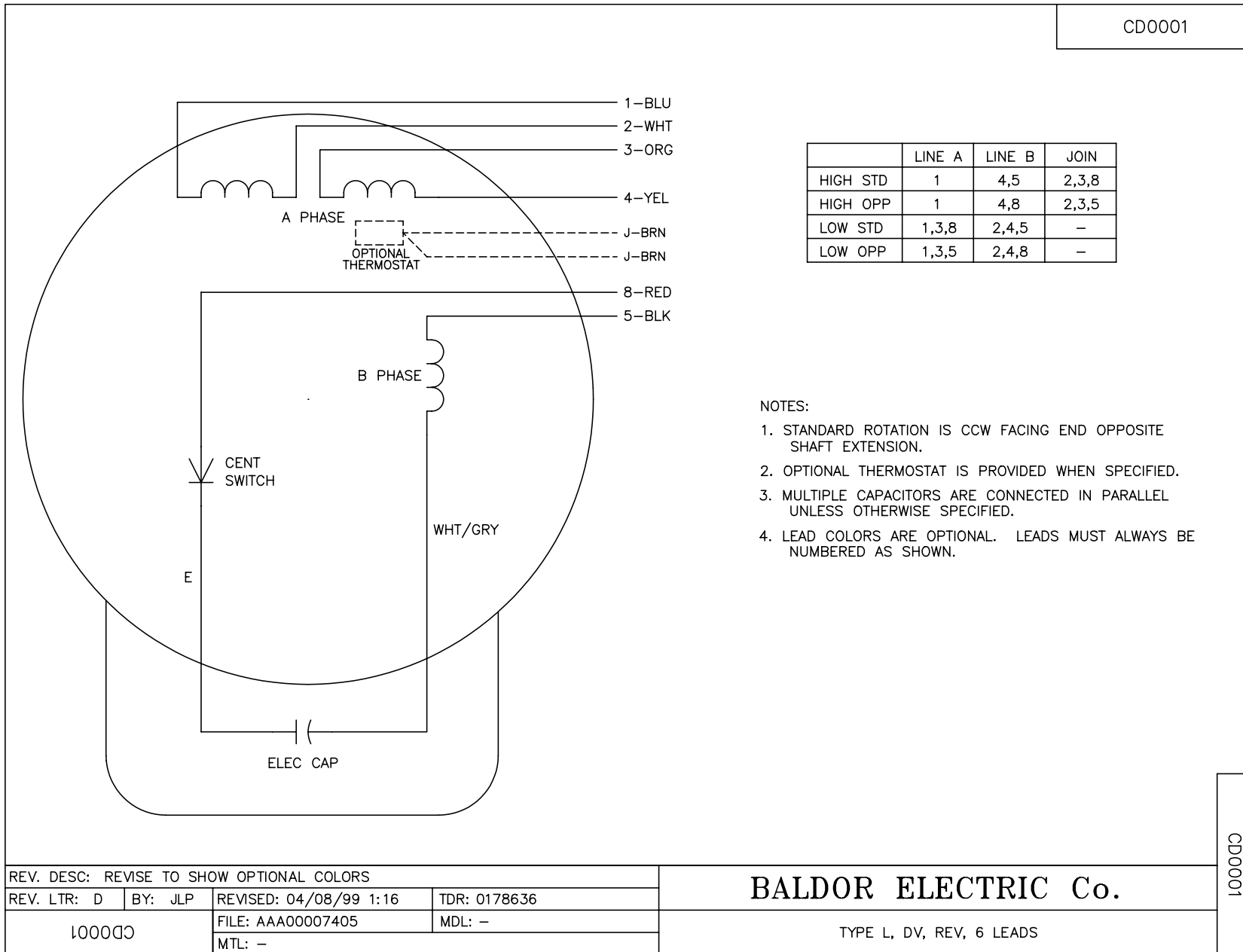
BALDOR

STD HORZ MODEL 34L NEMA 56 OPEN

SH 1 of 1

34LYF005

CD0001



REV. DESC: REVISE TO SHOW OPTIONAL COLORS			
REV. LTR: D	BY: JLP	REVISED: 04/08/99 1:16	TDR: 0178636
100000		FILE: AAA00007405	MDL: -
		MTL: -	

BALDOR ELECTRIC Co.

TYPE L, DV, REV, 6 LEADS

CD0001