

BALDOR® • RELIANCE 

Product Information Packet

L1304

.5HP,1725RPM,1PH,60HZ,56,3421L,OPEN,F1,N

Part Detail							
Revision:	U	Status:	PRD/A	Change #:		Proprietary:	No
Type:	AC	Elec. Spec:	34WG5422	CD Diagram:	CD0001	Mfg Plant:	
Mech. Spec:	34F005	Layout:	34LYF005	Poles:	04	Created Date:	08-03-2006
Base:	RG	Eff. Date:	04-22-2021	Leads:	6#18		

Specs			
Catalog Number:	L1304	Inverter Code:	Not Inverter
Enclosure:	ODP	KVA Code:	J
Frame:	56	Lifting Lugs:	No Lifting Lugs
Frame Material:	Steel	Locked Bearing Indicator:	No Locked Bearing
Output @ Frequency:	.500 HP @ 60 HZ	Motor Lead Quantity/Wire Size:	6 @ 18 AWG
Synchronous Speed @ Frequency:	1800 RPM @ 60 HZ	Motor Lead Exit:	Ko Box
Voltage @ Frequency:	115.0 V @ 60 HZ	Motor Lead Termination:	Flying Leads
	230.0 V @ 60 HZ	Motor Type:	3421L
XP Division:	Not Applicable	Mounting Arrangement:	F1
Agency Approvals:	UR	Power Factor:	66
	CSA	Product Family:	General Purpose
Auxillary Box:	No Auxillary Box	Pulley End Bearing Type:	Ball
Auxillary Box Lead Termination:	None	Pulley Face Code:	Standard
Base Indicator:	Rigid	Pulley Shaft Indicator:	Standard
Bearing Grease Type:	Polyrex EM (-20F +300F)	Rodent Screen:	None
Blower:	None	RoHS Status:	ROHS COMPLIANT
Current @ Voltage:	3.700 A @ 230.0 V	Shaft Extension Location:	Pulley End
	4.300 A @ 208.0 V	Shaft Ground Indicator:	No Shaft Grounding

	7.400 A @ 115.0 V	Shaft Rotation:	Reversible
Design Code:	N	Shaft Slinger Indicator:	No Slinger
Drip Cover:	No Drip Cover	Speed Code:	Single Speed
Duty Rating:	CONT	Motor Standards:	NEMA
Electrically Isolated Bearing:	Not Electrically Isolated	Starting Method:	Direct on line
Feedback Device:	NO FEEDBACK	Thermal Device - Bearing:	None
Front Face Code:	Standard	Thermal Device - Winding:	None
Front Shaft Indicator:	None	Vibration Sensor Indicator:	No Vibration Sensor
Heater Indicator:	No Heater	Winding Thermal 1:	None
Insulation Class:	B	Winding Thermal 2:	None

Nameplate NP1256L										
CAT.NO.	L1304X									
SPEC.	34F005-5422G1									
HP	.5									
VOLTS	115/230									
AMP	7.4/3.7									
RPM	1725 SFA8.2/4.1									
FRAME	56					HZ	60		PH	1
SER.F.	1.25					CODE	J		DES	N
NEMA-NOM-EFF	68					PF	66		CLASS	B
RATING	40C AMB-CONT									
CC								USABLE AT 208V	4.3	
DE	6203					ODE	6203			
ENCL	OPEN					SN				
	NOT FOR USE IN USA									

Parts List		
Part Number	Description	Quantity
SA146614	SA 34F005-5422G1	1.000 EA
RA135686	RA 34F005-5422G1	1.000 EA
EC1270A02SP	ELEC CAP, 270-324 MFD, 125V, 1.48D X 3.	1.000 EA
NS2512A01	INSULATOR, CONDUIT BOX X	1.000 EA
34CB3002A	CB CAST W/.88 DIA HOLE	1.000 EA
51XB1016A07	10-16 X 7/16 HXWSSLD SERTYB	2.000 EA
11XW1032G06	10-32 X .38, TAPTITE II, HEX WSHR SLTD U	1.000 EA
51XW0832A07	8-32 X .44, TAPTITE II, HEX WSHR SLTD SE	2.000 EA
SP1006A01	INSULATOR MODEL 35 SWITCH	1.000 EA
34EP3210A01SP	FR ENDPLATE, MACH	1.000 EA
34CB4800SP	CAPACITOR COVER, STAMPED PRIMED	1.000 EA
51XB1016A05	10-16X5/16HX WA SL SR TYB (F/S)	2.000 EA
HW5100A03	WAVY WASHER (W1543-017)	1.000 EA
34EP3212A24	PU ENDPLATE, MODEL 34 OPEN	1.000 EA
XY1032A02	10-32 HEX NUT DIRECTIONAL SERRATION	4.000 EA
34CB4517	CB LID 4 MTG HOLES .22 DIA STAMPED, FOR	1.000 EA
51XW0832A07	8-32 X .44, TAPTITE II, HEX WSHR SLTD SE	4.000 EA
HW2501D13	KEY, 3/16 SQ X 1.375	1.000 EA
HA7000A04	KEY RETAINER 0.625 DIA SHAFTS	1.000 EA
MG1000G27	MED CHARCOAL METALLIC GREY 400-0096	0.014 GA
85XU0407S04	4X1/4 U DRIVE PIN STAINLESS	2.000 EA
SP5051B16	MDL 34 TORQ STAT SW,TYPE L , STD F1 & F2	1.000 EA
HA3100A44	THRUBOLT 10-32 X 8.000	4.000 EA
MN416A01	TAG-INSTAL-MAINT no wire (2200bx) 4/22	1.000 EA

Parts List (continued)		
Part Number	Description	Quantity
LB1417	LABEL CARTON 6X4 PERFORATED BLANK ROLLS	1.000 EA
LC0001A01	CONN LABEL / WARNING LABEL (LC0001 / LB1	1.000 EA
NP1256L	ALUM UL CSA CC INDUSTRIAL MOTOR A60	1.000 EA
35PA1066	PKG GRP, PRINT PK1008A06	1.000 EA

AC Induction Motor Performance Data

Record # 36351

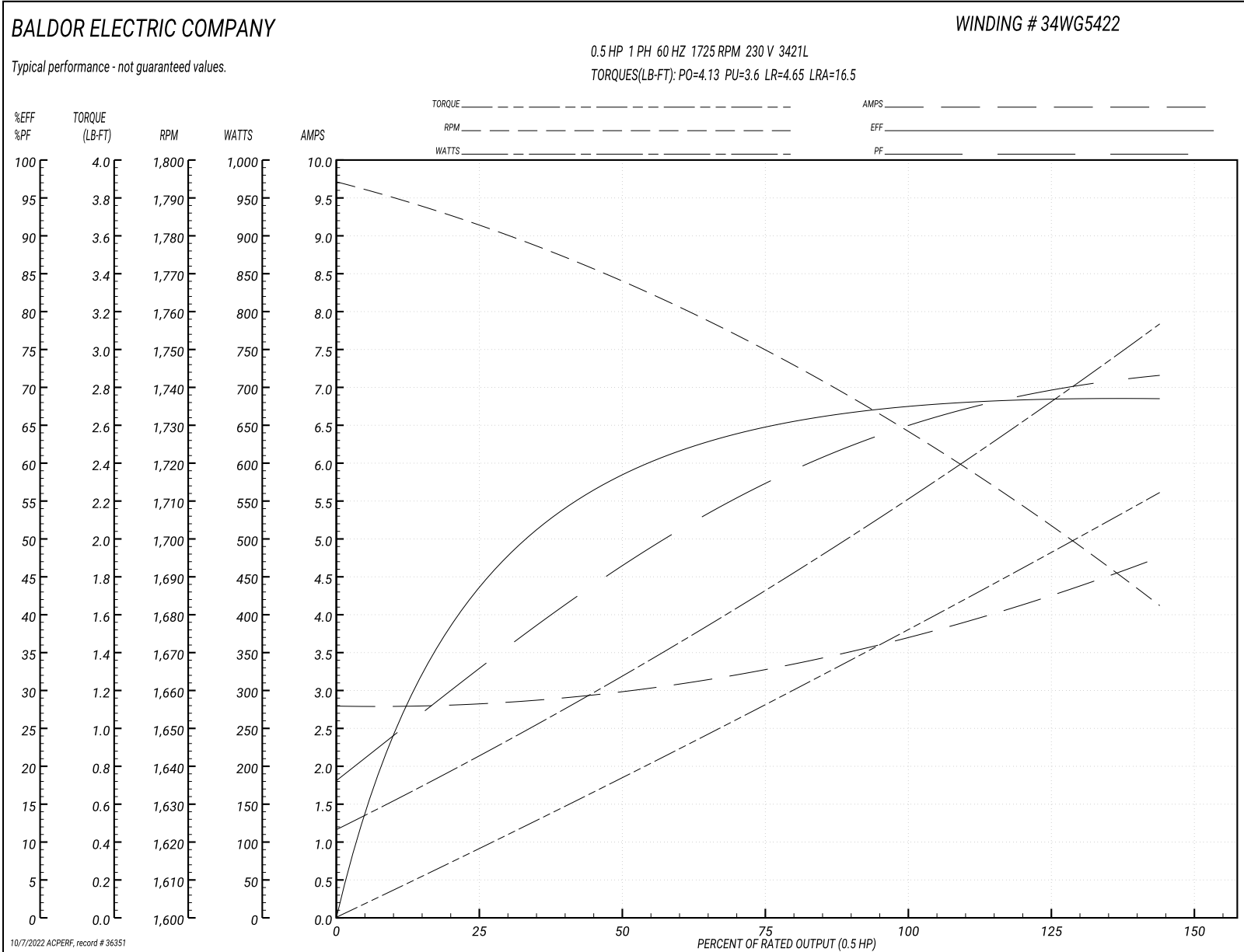
Typical performance - not guaranteed values

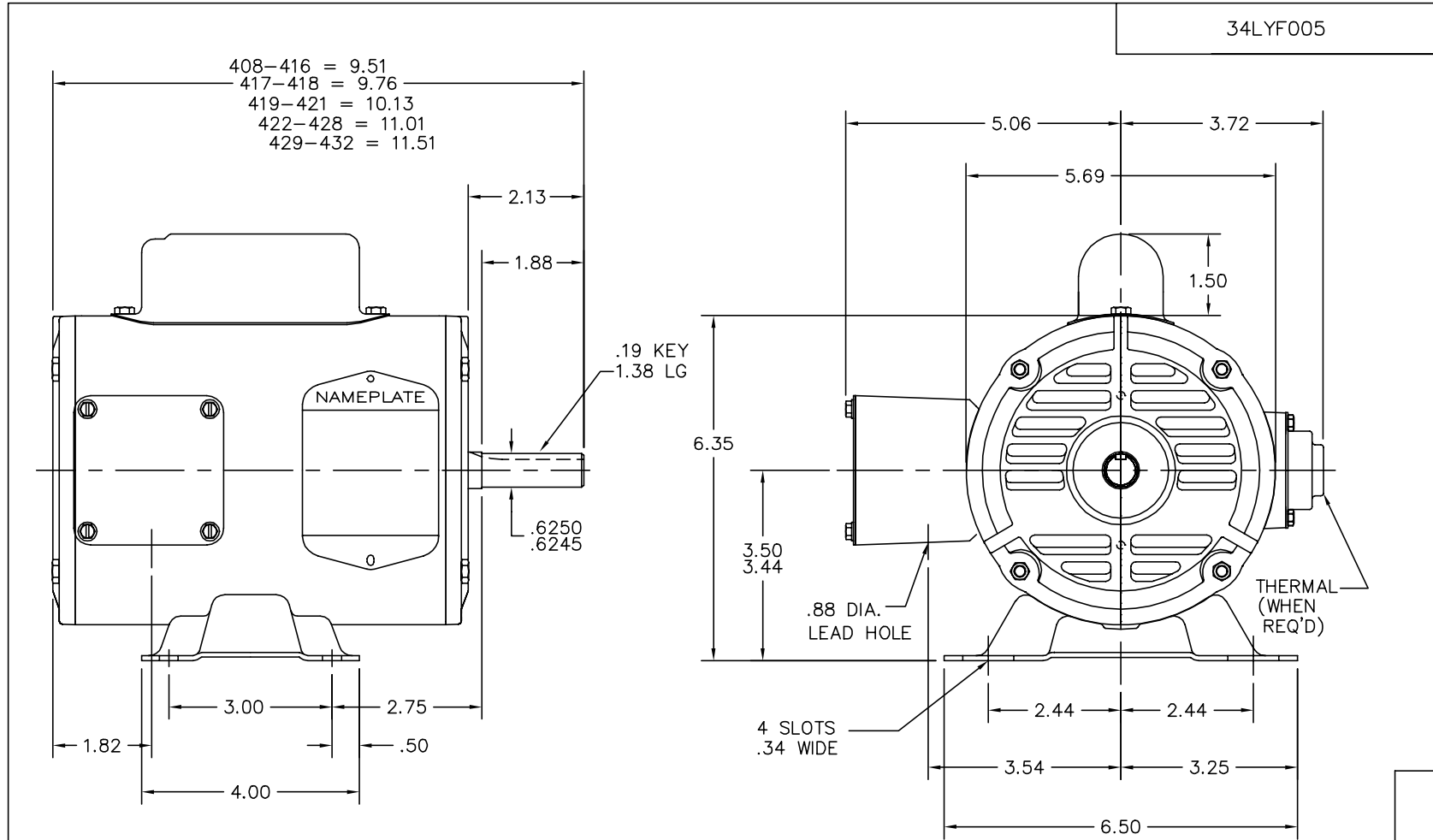
Winding: 34WG5422-R025		Type: 3421L		Enclosure: OPEN	
Nameplate Data			230 V, 60 Hz: High Voltage Connection		
Rated Output (HP)	.5	Full Load Torque	1.5 LB-FT		
Volts	115/230	Start Configuration	direct on line		
Full Load Amps	7.4/3.7	Breakdown Torque	4.13 LB-FT		
R.P.M.	1725	Pull-up Torque	3.6 LB-FT		
Hz	60 Phase	1	Locked-rotor Torque	4.65 LB-FT	
NEMA Design Code	N	KVA Code	J	Starting Current	16.5 A
Service Factor (S.F.)	1.25		No-load Current	2.8 A	
NEMA Nom. Eff.	68	Power Factor	66	Line-line Res. @ 25°C	4.44 Ω A Ph 3.19 Ω B Ph
Rating - Duty	40C AMB-CONT		Temp. Rise @ Rated Load		
S.F. Amps	8.2/4.1		Temp. Rise @ S.F. Load		

Load Characteristics 230 V, 60 Hz, 0.5 HP

% of Rated Load	25	50	75	100	125	150	S.F.
Power Factor	32	46	59	66	72	80	72
Efficiency	42	58	65	68	69	68	69
Speed	1783	1765	1750	1730	1710	1680	1710
Line amperes	2.8	3	3.3	3.7	4.1	4.8	4.1

Performance Graph at 230V, 60Hz, 0.5HP Typical performance - Not guaranteed values





34LYF005

34LYF005

CUSTOMER IS RESPONSIBLE FOR DETERMINING THAT BALDOR'S PRODUCT WILL PERFORM SUITABLY IN THE INTENDED APPLICATION.

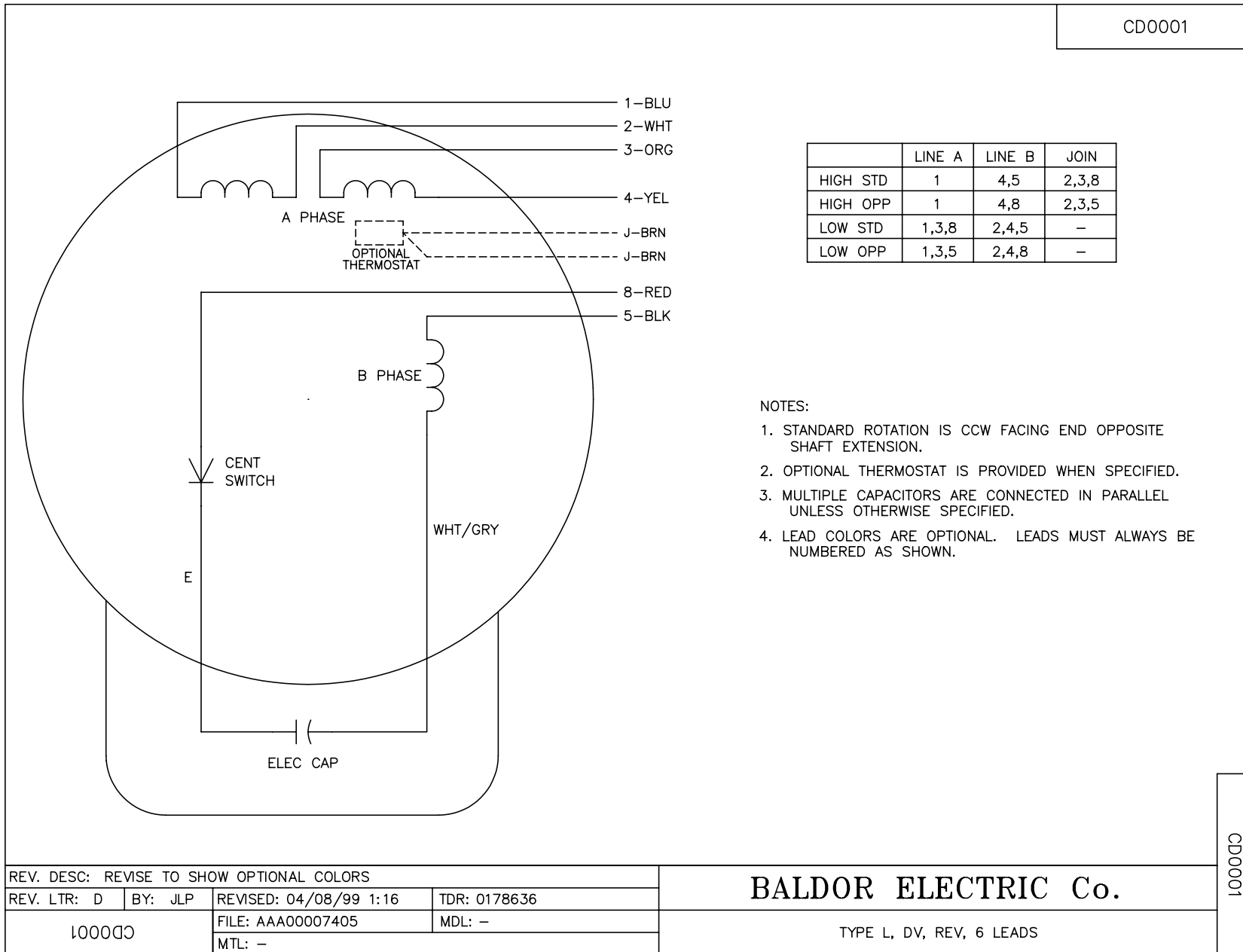
REV. DESC: NEW PUEP MACHINING TO GIVE INFN MORE ROOM		
REV. LTR: G	VERSION: 03	TDR: 000000570375
FILE: \AAA\00026\294	REVISED: 04: 45: 14 12/06/2010	
MTL: -	BY: ENJERWO	

BALDOR

STD HORZ MODEL 34L NEMA 56 OPEN

SH 1 of 1

CD0001



REV. DESC: REVISE TO SHOW OPTIONAL COLORS			
REV. LTR: D	BY: JLP	REVISED: 04/08/99 1:16	TDR: 0178636
100000		FILE: AAA00007405	MDL: -
		MTL: -	

BALDOR ELECTRIC Co.

TYPE L, DV, REV, 6 LEADS

CD0001