

BALDOR® • RELIANCE 

Product Information Packet

L1313A

1.5HP,3450RPM,1PH,60HZ,56/56H,3524L,OPEN

Part Detail							
Revision:	AD	Status:	INA/A	Change #:		Proprietary:	No
Type:	AC	Elec. Spec:	35WGW099	CD Diagram:	CD0008	Mfg Plant:	
Mech. Spec:	35J384	Layout:	35LYJ384	Poles:	02	Created Date:	06-22-2007
Base:	RG	Eff. Date:	01-21-2015	Leads:	4#16 A&J,2#18 B PH,1#14 #4TH		

Specs			
Catalog Number:	L1313A	Inverter Code:	Not Inverter
Enclosure:	ODP	KVA Code:	H
Frame:	56/56H	Lifting Lugs:	No Lifting Lugs
Frame Material:	Steel	Locked Bearing Indicator:	No Locked Bearing
Output @ Frequency:	1.500 HP @ 60 HZ	Motor Lead Quantity/Wire Size:	4 @ 16 AWG, A&J
Synchronous Speed @ Frequency:	3600 RPM @ 60 HZ	Motor Lead Exit:	Ko Box
Voltage @ Frequency:	115.0 V @ 60 HZ	Motor Lead Termination:	Flying Leads
	230.0 V @ 60 HZ	Motor Type:	3524L
XP Division:	Not Applicable	Mounting Arrangement:	F1
Agency Approvals:	UR	Power Factor:	77
	CSA	Product Family:	General Purpose
Auxillary Box:	No Auxillary Box	Pulley End Bearing Type:	Ball
Auxillary Box Lead Termination:	None	Pulley Face Code:	Standard
Base Indicator:	Rigid	Pulley Shaft Indicator:	Standard
Bearing Grease Type:	Polyrex EM (-20F +300F)	Rodent Screen:	None
Blower:	None	Shaft Extension Location:	Pulley End
Current @ Voltage:	18.000 A @ 115.0 V	Shaft Ground Indicator:	No Shaft Grounding
	8.900 A @ 208.0 V	Shaft Rotation:	Reversible

	9.000 A @ 230.0 V	Shaft Slinger Indicator:	No Slinger
Design Code:	L	Speed Code:	Single Speed
Drip Cover:	No Drip Cover	Motor Standards:	NEMA
Duty Rating:	CONT	Starting Method:	Direct on line
Electrically Isolated Bearing:	Not Electrically Isolated	Thermal Device - Bearing:	None
Feedback Device:	NO FEEDBACK	Thermal Device - Winding:	Do Not Use Eve-Not Valid
Front Face Code:	Standard	Vibration Sensor Indicator:	No Vibration Sensor
Front Shaft Indicator:	None	Winding Thermal 1:	Automatic Thermal Overload
Heater Indicator:	No Heater	Winding Thermal 1 Location:	SB
Insulation Class:	B	Winding Thermal 2:	None

Nameplate NP1257L	
CAT.NO.	L1313A
SPEC.	35J384W99
HP	1.5
VOLTS	115/230
AMP	18/9
RPM	3450
FRAME	56/56H
HZ	60
PH	1
SER.F.	1.15
CODE	H
DES	L
CL	B
NEMA-NOM-EFF	68
PF	77
RATING	40C AMB-CONT
CC	USABLE AT 208V 8.9
DE	6205
ODE	6203
ENCL	OPEN
SN	

Parts List		
Part Number	Description	Quantity
SA025954	SA 35J384W99	1.000 EA
RA022004	RA 35J384W99	1.000 EA
EC1645A06SP	ELEC CAP, 645-774 MFD, 125V, 2.06D X 4.	1.000 EA
NS2512A01	INSULATOR, CONDUIT BOX X	1.000 EA
35CB3007	35 CB CASTING W/.88 DIA. LEAD HOLE	1.000 EA
51XB1016A07	10-16 X 7/16 HXWSSLD SERTYB	2.000 EA
11XW1032G06	10-32 X .38, TAPTITE II, HEX WSHR SLTD U	1.000 EA
35EP3209G00	STD FR EP OPEN-203BRG-35L OR M FRAME--LE	1.000 EA
SP1006A01	INSULATOR MODEL 35 SWITCH	1.000 EA
51XW0832A07	8-32 X .44, TAPTITE II, HEX WSHR SLTD SE	2.000 EA
NS2501A01	INSULATOR, CAPACITOR	1.000 EA
51XB1016A05	10-16X5/16HX WA SL SR TYB (F/S)	2.000 EA
HW5100A03	WAVY WASHER (W1543-017)	1.000 EA
35EP3210B00	PUEP OPEN 205 BRG	1.000 EA
XY1032A02	10-32 HEX NUT DIRECTIONAL SERRATION	4.000 EA
35CB4521	35 LIPPED CB LID (GALV & PHOSPH)	1.000 EA
51XW0832A07	8-32 X .44, TAPTITE II, HEX WSHR SLTD SE	4.000 EA
HW2501D13	KEY, 3/16 SQ X 1.375	1.000 EA
HA7000A04	KEY RETAINER 0.625 DIA SHAFTS	1.000 EA
85XU0407S04	4X1/4 U DRIVE PIN STAINLESS	2.000 EA
WD1000A15	3-520132-2 AMP FLAG (4M/RL NON-CANC/NON-	2.000 EA
MJ1000A02	GREASE, POLYREX EM EXXON	0.050 LB
MG1000G27	MED CHARCOAL METALLIC GREY 400-0096	0.017 GA
LC0008	CONNECTION LABEL	1.000 EA

Parts List (continued)		
Part Number	Description	Quantity
NP1257L	ALUM UL CSA CC THERMAL REV MTG	1.000 EA
35CB4802A02SP	CAPACITOR COVER, STAMPED X	1.000 EA
HA3100A18	THRUBOLT 10-32 X 9.250	4.000 EA
SP5055A67	MODEL 35 TYPE L STATIONARY SWITCH	1.000 EA
LB1118	LABEL,WARNING (ROLL LABEL)	1.000 EA
LB1125C01	STD (STOCK) CARTON LABEL BALDOR WITH FLA	1.000 EA
35PA1066	PKG GRP, PRINT PK1008A06	1.000 EA

Accessories		
Part Number	Description	Multiplier
35-8764	C FACE KIT	A8
35EP1604A01SP	D-FLANGE KIT	

AC Induction Motor Performance Data

Record # 9763

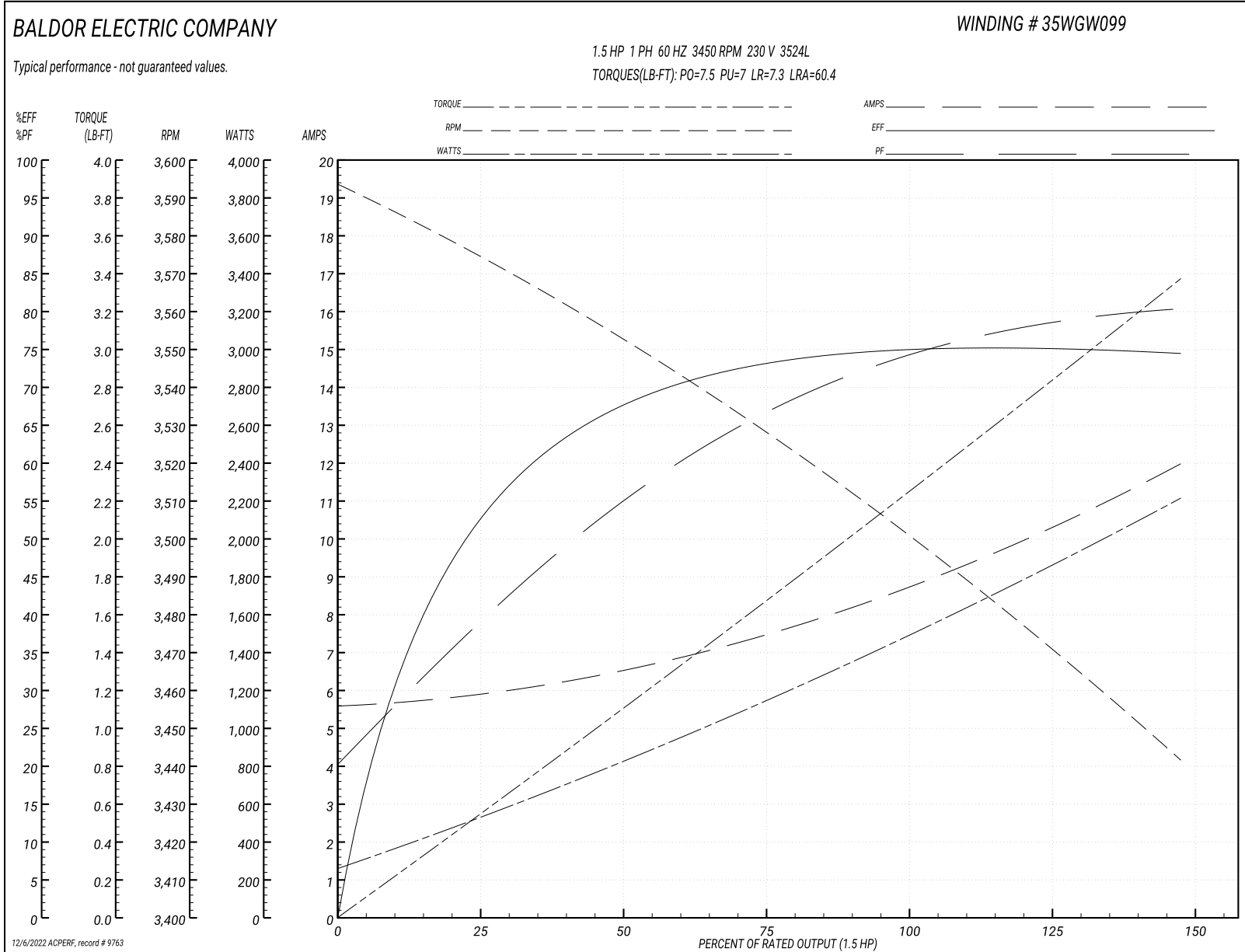
Typical performance - not guaranteed values

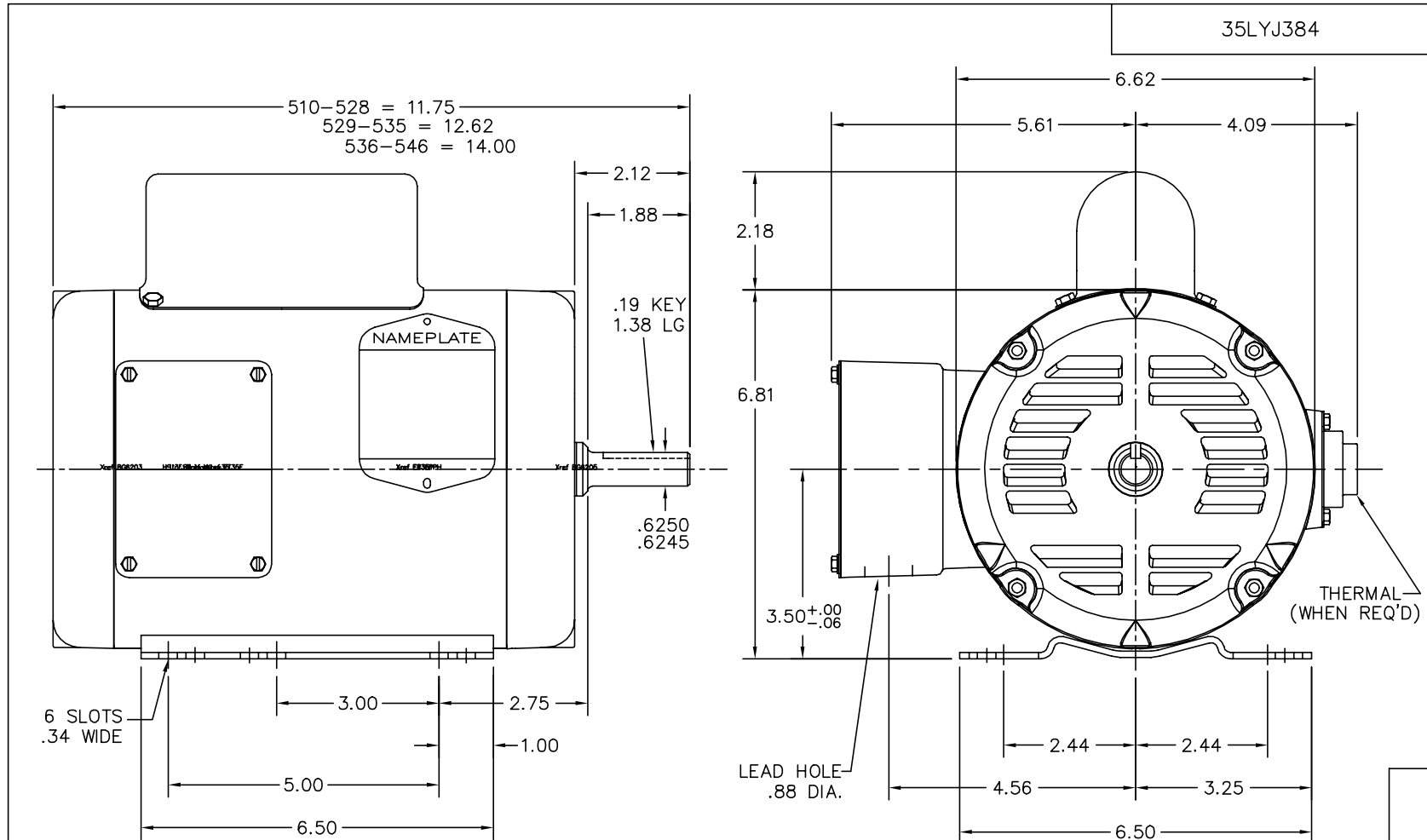
Winding: 35WGW099-R001		Type: 3524L		Enclosure: OPEN	
Nameplate Data			230 V, 60 Hz: High Voltage Connection		
Rated Output (HP)	1.5	Full Load Torque	2.25 LB-FT		
Volts	115/230	Start Configuration	direct on line		
Full Load Amps	18/9	Breakdown Torque	7.5 LB-FT		
R.P.M.	3450	Pull-up Torque	7 LB-FT		
Hz	60 Phase	1	Locked-rotor Torque	7.3 LB-FT	
NEMA Design Code	L	KVA Code	H	Starting Current	60.4 A
Service Factor (S.F.)	1.15	No-load Current	5.6 A		
NEMA Nom. Eff.	68	Power Factor	77	Line-line Res. @ 25°C	1.24 Ω A Ph 1.2 Ω B Ph
Rating - Duty	40C AMB-CONT		Temp. Rise @ Rated Load	38°C	
S.F. Amps			Temp. Rise @ S.F. Load	42°C	

Load Characteristics 230 V, 60 Hz, 1.5 HP

% of Rated Load	25	50	75	100	125	150	S.F.
Power Factor	40	55	68	75	77	81	76
Efficiency	53.1	67.6	73	75	75.7	74.2	75.4
Speed	3572	3551	3529	3503	3470	3442	3483
Line amperes	5.9	6.6	7.4	8.7	10.4	11.9	9.72

Performance Graph at 230V, 60Hz, 1.5HP Typical performance - Not guaranteed values





CUSTOMER IS RESPONSIBLE FOR DETERMINING THAT BALDOR'S PRODUCT WILL PERFORM SUITABLY IN THE INTENDED APPLICATION.

REV. DESC: REPLACE ENDPLATES		
REV. LTR: E	VERSION: 01	TDR: 000001041474
FILE: \AAA\00010\412	REVISED: 03:31:17 08/29/2017	BY: USJOBUR22
MTL: -	☉ □	

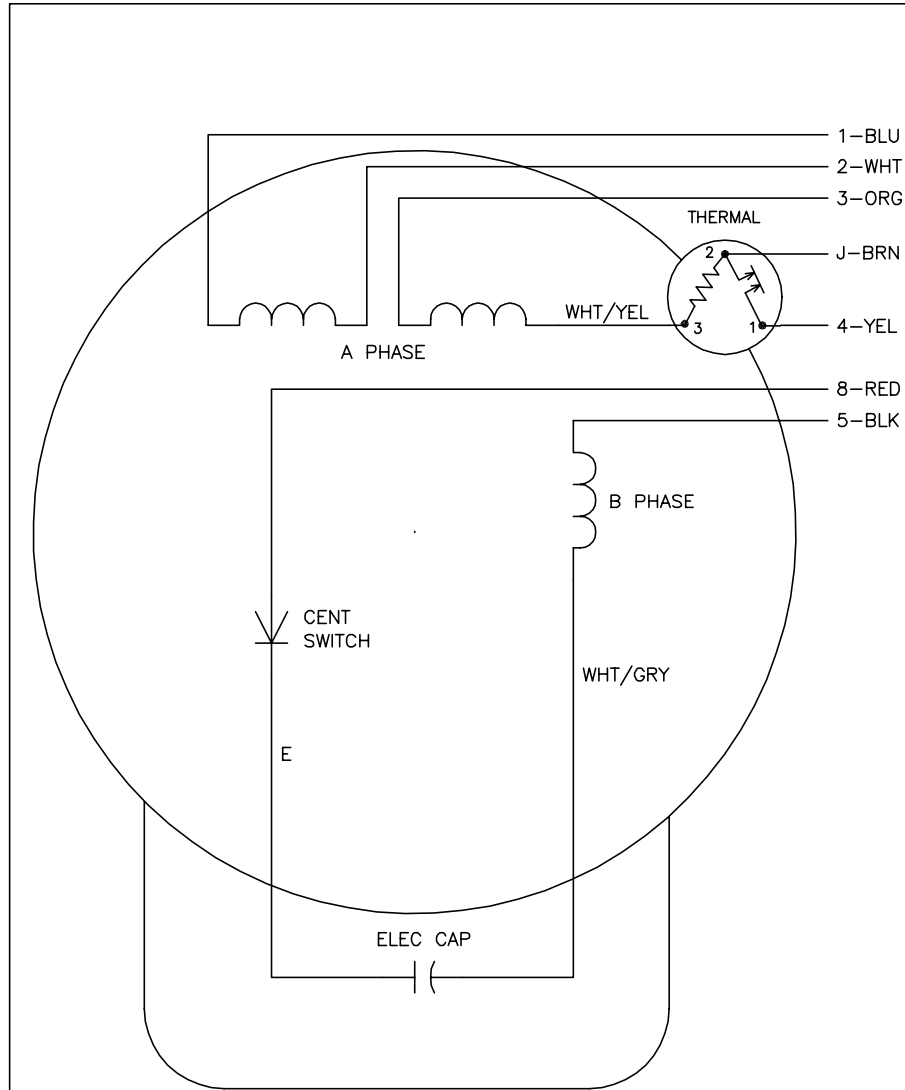
BALDOR

STD HORZ 35L NEMA 56/56H OPEN

SH 1 of 1

35L YJ384

CD0008



	LINE A	LINE B	JOIN	JOIN
HIGH STD	1	4	2,3,8	J,5
HIGH OPP	1	4	2,3,5	J,8
LOW STD	1,3,8	4	-	2,J,5
LOW OPP	1,3,5	4	-	2,J,8

NOTES:

1. STANDARD ROTATION IS CCW FACING END OPPOSITE SHAFT EXTENSION.
2. MULTIPLE CAPACITORS ARE CONNECTED IN PARALLEL UNLESS OTHERWISE SPECIFIED.
3. LEAD COLORS ARE OPTIONAL. LEADS MUST ALWAYS BE NUMBERED AS SHOWN.

REV. DESC: REMOVE 2-TERMINAL THERMAL DETAIL, SEE CD0008A02		
REV. LTR: F	VERSION: 01	TDR: 000000360649
80000D	FILE: \AAA\00007\408	REVISED: 10:56:54 04/18/2005
	MTL: -	BY: ENJOEPO

BALDOR ELECTRIC Co.

TYPE L, DV, REV, THERMAL, 7 LEADS

CD0008