

**BALDOR® • RELIANCE** 

**Product Information Packet**

**L5004A**

**.5HP, 1725RPM, 1PH, 60HZ, 56, X3424L, XPFC, F1**

Part Detail							
Revision:	AH	Status:	PRD/A	Change #:		Proprietary:	No
Type:	AC	Elec. Spec:	34WGW369	CD Diagram:	CD0565	Mfg Plant:	
Mech. Spec:	34-5322	Layout:	34LY5322	Poles:	04	Created Date:	
Base:	RG	Eff. Date:	04-22-2021	Leads:	6#18,1#16 #4TH		

Specs			
Catalog Number:	L5004A	Insulation Class:	B
Enclosure:	XPFC	Inverter Code:	Not Inverter
Frame:	56	KVA Code:	J
Frame Material:	Steel	Lifting Lugs:	No Lifting Lugs
Output @ Frequency:	.500 HP @ 60 HZ	Locked Bearing Indicator:	No Locked Bearing
Synchronous Speed @ Frequency:	1800 RPM @ 60 HZ	Motor Lead Quantity/Wire Size:	6 @ 18 AWG
Voltage @ Frequency:	115.0 V @ 60 HZ	Motor Lead Exit:	Ko Box
	208.0 V @ 60 HZ	Motor Lead Termination:	Flying Leads
	230.0 V @ 60 HZ	Motor Type:	X3424L
XP Class and Group:	CLI GP D; CLII GP F,G	Mounting Arrangement:	F1
XP Division:	Division I	Power Factor:	66
Agency Approvals:	UR	Product Family:	General Purpose
	UL	Pulley End Bearing Type:	Ball
	CSA	Pulley Face Code:	Standard
Auxillary Box:	No Auxillary Box	Pulley Shaft Indicator:	Standard
Auxillary Box Lead Termination:	None	Rodent Screen:	None
Base Indicator:	Rigid	RoHS Status:	ROHS COMPLIANT
Bearing Grease Type:	Polyrex EM (-20F +300F)	Shaft Extension Location:	Pulley End

<b>Blower:</b>	None	<b>Shaft Ground Indicator:</b>	No Shaft Grounding
<b>Current @ Voltage:</b>	3.700 A @ 230.0 V	<b>Shaft Rotation:</b>	Reversible
	3.900 A @ 208.0 V	<b>Shaft Slinger Indicator:</b>	No Slinger
	7.400 A @ 115.0 V	<b>Speed Code:</b>	Single Speed
<b>Design Code:</b>	N	<b>Motor Standards:</b>	NEMA
<b>Drip Cover:</b>	No Drip Cover	<b>Starting Method:</b>	Direct on line
<b>Duty Rating:</b>	CONT	<b>Thermal Device - Bearing:</b>	None
<b>Electrically Isolated Bearing:</b>	Not Electrically Isolated	<b>Thermal Device - Winding:</b>	None
<b>Feedback Device:</b>	NO FEEDBACK	<b>Vibration Sensor Indicator:</b>	No Vibration Sensor
<b>Front Face Code:</b>	Standard	<b>Winding Thermal 1:</b>	Automatic Thermal Overload
<b>Front Shaft Indicator:</b>	None	<b>Winding Thermal 1 Location:</b>	EP
<b>Heater Indicator:</b>	No Heater	<b>Winding Thermal 2:</b>	None
		<b>XP Temp Code:</b>	T3C

Nameplate NP0016XPSL										
NO.		CC								
SER. #										
SPEC	34-5322W369									
CAT.NO.	L5004A									
H.P.	.5	T. CODE	T3C							
VOLTS	115/208-230									
AMPS	7.4/3.9-3.7									
R.P.M.	1725									
HZ	60	PH	1	CLASS	B					
SER.F.	1.00	DES	N	CODE	J					
RATING	40C AMB-CONT									
FRAME	56	NEMA NOM. EFF	64							
USABLE AT 208V	3.9	PF	66							
BLANK										

Parts List		
Part Number	Description	Quantity
SA008944	SA 34-5322W369	1.000 EA
RA005391	RA 34-5322W369	1.000 EA
35CB3001A01SP	EXPL CONDUIT BOX, MACH, 1/2" PIPE TAP LE	1.000 EA
11XW1032G06	10-32 X .38, TAPTITE II, HEX WSHR SLTD U	1.000 EA
HW3001B02	BRASS CUP WASHER W/GROUND SYMBOL TAB,	1.000 EA
51XW0832A07	8-32 X .44, TAPTITE II, HEX WSHR SLTD SE	2.000 EA
34EP3703A01	FR ENDPLATE, MACH XP	1.000 EA
HW4002A02	1-11.5X2LG PIPE NIPPLE (F/S)	1.000 EA
HA1025A13	WSHR,FELT,.38" THICK F-26 CLASS	1.000 EA
HW3021E06	1/8 DIA X 5/8 ROLLPIN (F/S)	1.000 EA
HW5100A03	WAVY WASHER (W1543-017)	1.000 EA
34EP3704A01	PU ENDPLATE, MACH XP	1.000 EA
XY3118A12	5/16-18 HEX NUT DIRECTIONAL SERRATION	4.000 EA
34FN3002A01SP	EXTERNAL FAN, PLASTIC, .637/.639 HUB W/	1.000 EA
34FH4002A01SP	IEC FH NO GREASER PRIMED	1.000 EA
51XW1032A06	10-32 X .38, TAPTITE II, HEX WSHR SLTD S	3.000 EA
35CB3500A01SP	CONDUIT BOX LID, MACH	1.000 EA
51XN2520A16	SCREW, HEX WS SLT, ZN, 1/4-20 X 1.00	4.000 EA
HW2501D13	KEY, 3/16 SQ X 1.375	1.000 EA
HA7000A04	KEY RETAINER 0.625 DIA SHAFTS	1.000 EA
NP0018W	ALUM UL XP CONDUIT BOX NAMEPLATE	1.000 EA
HA6001A01	THERMAL RETAINER (PLATED)	1.000 EA
51XT0632A06	6-32X3/8 TY F HEX HD SLT	2.000 EA
NS2500A05	INSULATOR, AUTO THER PROT	1.000 EA

Parts List (continued)		
Part Number	Description	Quantity
MG1025G29	WILKOFAS, 789.229, DARK CHARCOAL GRAY	0.014 GA
85XU0407S04	4X1/4 U DRIVE PIN STAINLESS	6.000 EA
TPMRJ38RX	THERMAL 1PH 0.75 AUT 120C	1.000 EA
EC1130A08SP	ELEC CAP 115V 1.125X2.750 X	2.000 EA
MJ5000A09	EFI KIT #1578 (400 ML CARTRIDGE OF EFI)	0.050 EA
HA6003A52	CLAMP, CAPACITOR, WHITE ZINC PLATED	2.000 EA
51XW0832A07	8-32 X .44, TAPTITE II, HEX WSHR SLTD SE	2.000 EA
WD1000A16	2-520128-2 AMP FLAG TERM (4M/RL) 22-18	6.000 EA
SP5036A01	STAT. SWITCH ASSY. MODEL 34 TYPE L OR S	1.000 EA
WD1000A16	2-520128-2 AMP FLAG TERM (4M/RL) 22-18	8.000 EA
WD1000A16	2-520128-2 AMP FLAG TERM (4M/RL) 22-18	5.000 EA
HA3104A08	THRUBOLT-5/16-18X9.375 X X	4.000 EA
MN416A01	TAG-INSTAL-MAINT no wire (1200/bx) 1/21	1.000 EA
LB1118	LABEL,WARNING (ROLL LABEL)	1.000 EA
LC0008	CONNECTION LABEL	1.000 EA
NP0016XPSL	SS XP UL CSA CC CL-I GP-D CL-II GP-F&G	1.000 EA
35PA1066	PKG GRP, PRINT PK1008A06	1.000 EA

**AC Induction Motor Performance Data**

Record # 48773

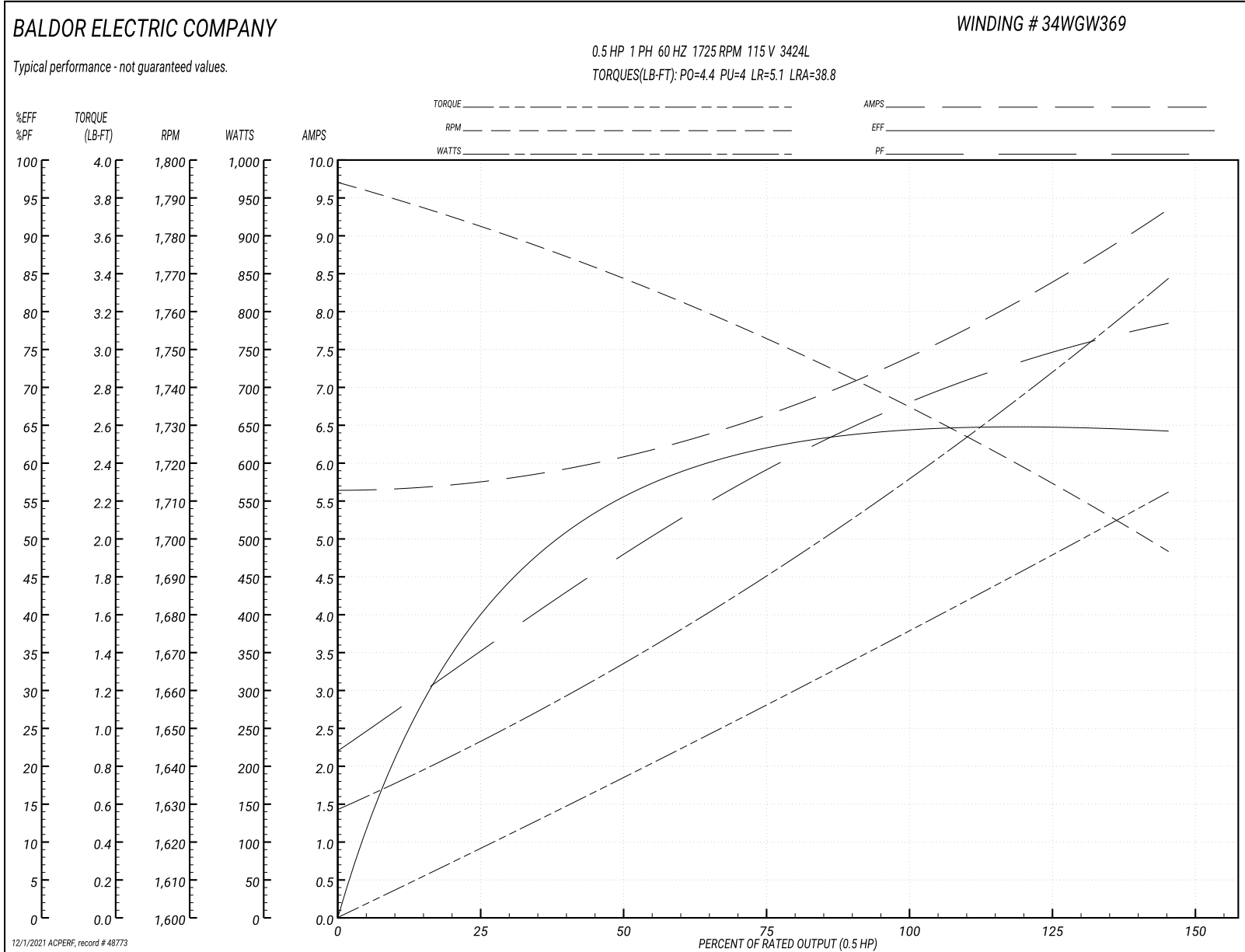
Typical performance - not guaranteed values

Winding: 34WG369-R001			Type: 3424L			Enclosure: XPFC		
<b>Nameplate Data</b>						<b>115 V, 60 Hz: Low Voltage Connection</b>		
Rated Output (HP)			.5	Full Load Torque	1.5 LB-FT			
Volts	115/208-230			Start Configuration	direct on line			
Full Load Amps	7.4/3.9-3.7			Breakdown Torque	4.4 LB-FT			
R.P.M.	1725			Pull-up Torque	4 LB-FT			
Hz	60	Phase	1	Locked-rotor Torque	5.1 LB-FT			
NEMA Design Code	N	KVA Code	J	Starting Current	38.8 A			
Service Factor (S.F.)	1			No-load Current	5.62 A			
NEMA Nom. Eff.	64	Power Factor	66	Line-line Res. @ 25°C	0.913 Ω A Ph 2.88 Ω B Ph			
Rating - Duty	40C AMB-CONT			Temp. Rise @ Rated Load	61°C			
				Locked-rotor Power Factor	89.3			
				Rotor inertia	0.057 LB-FT <sup>2</sup>			

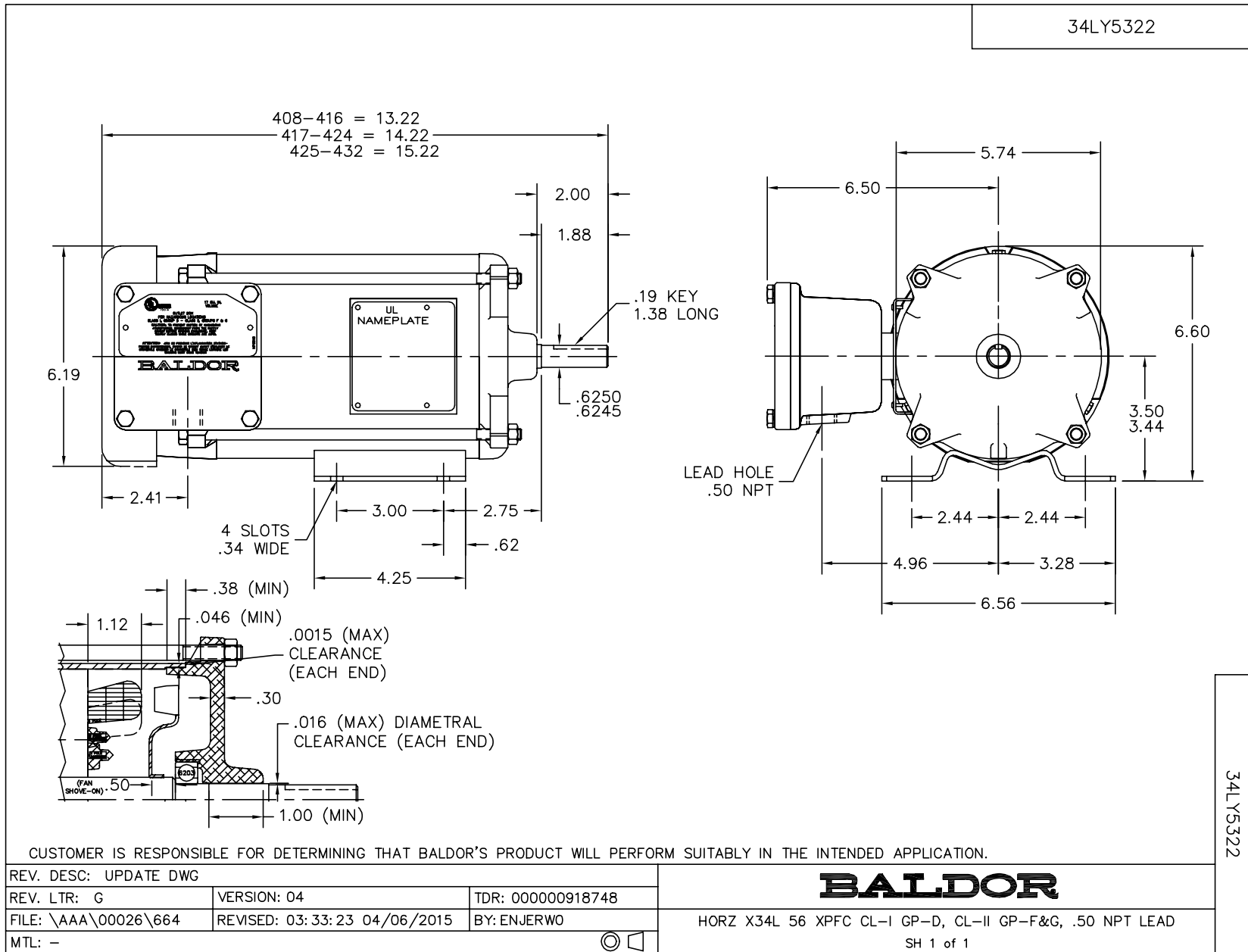
**Load Characteristics 115 V, 60 Hz, 0.5 HP**

% of Rated Load	25	50	75	100	125	150
Power Factor	37	48	59	67	74	79
Efficiency	38.9	55.3	62.3	64.9	65.3	63.8
Speed	1781	1768	1753	1736	1717	1696
Line amperes	5.78	6.12	6.62	7.38	8.26	9.38

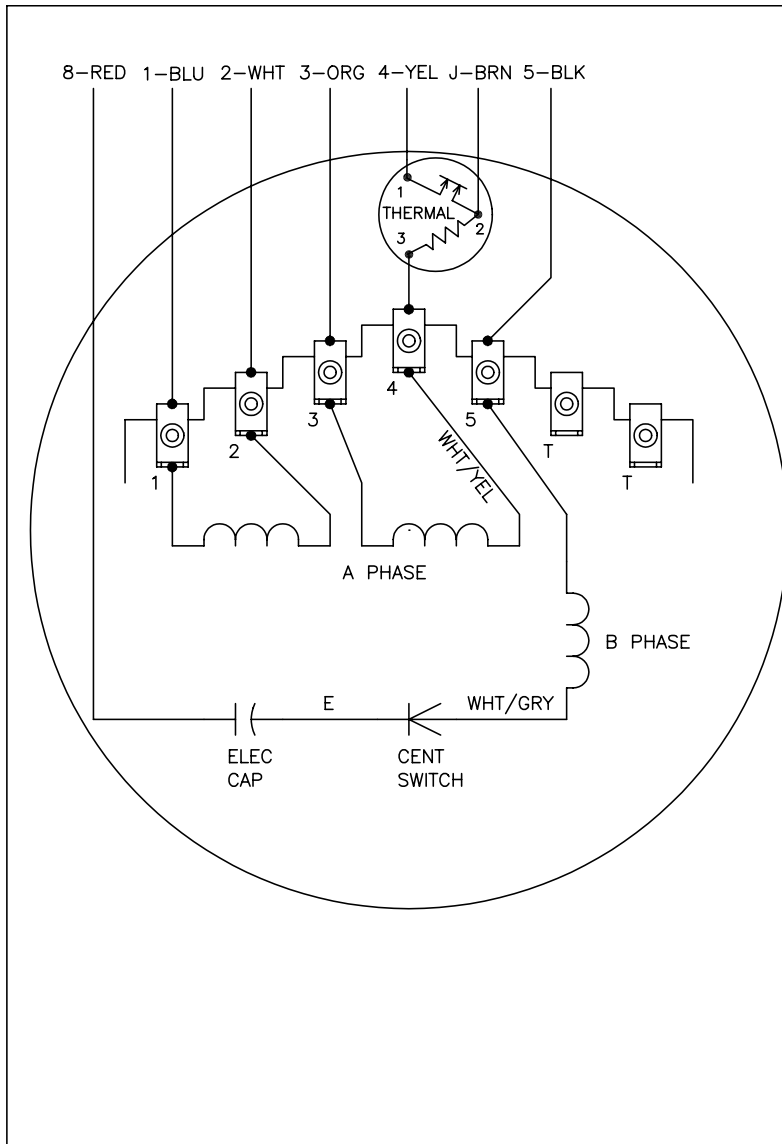
Performance Graph at 115V, 60Hz, 0.5HP Typical performance - Not guaranteed values







CD0565

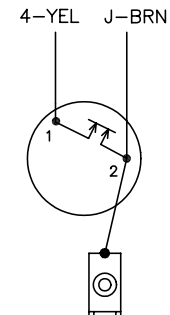


	LINE A	LINE B	JOIN	JOIN
HIGH STD	1	4	2,3,8	J,5
HIGH OPP	1	4	2,3,5	J,8
LOW STD	1,3,8	4	-	2,J,5
LOW OPP	1,3,5	4	-	2,J,8

NOTES:

1. STANDARD ROTATION IS CCW FACING END OPPOSITE SHAFT EXTENSION.
2. MULTIPLE CAPACITORS ARE CONNECTED IN PARALLEL UNLESS OTHERWISE SPECIFIED.
3. LEAD COLORS ARE OPTIONAL. LEADS MUST ALWAYS BE NUMBERED AS SHOWN.

CONNECTIONS FOR TWO-TERMINAL THERMAL



REV. DESC: REVISE TO SHOW OPTIONAL COLORS			
REV. LTR: C	BY: JLP	REVISED: 04/08/99 3:25	TDR: 0178636
9900CD		FILE: AAA00014311	MDL: -
		MTL: -	

**BALDOR ELECTRIC Co.**

TYPE L, DV, REV, THERMAL, 7 LD, 34XP

CD0565