

BALDOR® • RELIANCE 

Product Information Packet

L5004A-C

.5HP, 1725RPM, 1PH, 60HZ, 56, 3424L, XPFC, F1, N

Part Detail							
Revision:	N	Status:	PRD/A	Change #:		Proprietary:	No
Type:	AC	Elec. Spec:	34WGW369	CD Diagram:	CD0565	Mfg Plant:	
Mech. Spec:	34-6864	Layout:	34LY6864	Poles:	04	Created Date:	12-05-2007
Base:	RG	Eff. Date:	01-04-2020	Leads:	6#18,1#16 #4TH		

Specs			
Catalog Number:	L5004A-C	Insulation Class:	B
Enclosure:	XPFC	Inverter Code:	Not Inverter
Frame:	56	KVA Code:	J
Frame Material:	Steel	Lifting Lugs:	No Lifting Lugs
Output @ Frequency:	.500 HP @ 60 HZ	Locked Bearing Indicator:	No Locked Bearing
Synchronous Speed @ Frequency:	1800 RPM @ 60 HZ	Motor Lead Quantity/Wire Size:	6 @ 18 AWG
Voltage @ Frequency:	115.0 V @ 60 HZ	Motor Lead Exit:	Ko Box
	230.0 V @ 60 HZ	Motor Lead Termination:	Flying Leads
	208.0 V @ 60 HZ	Motor Type:	X3424L
XP Class and Group:	CLI GP C,D; CLII GP F,G	Mounting Arrangement:	F1
XP Division:	Division I	Power Factor:	66
Agency Approvals:	CSA	Product Family:	Hazardous Location Motor
	UL	Pulley End Bearing Type:	Ball
	UR	Pulley Face Code:	Standard
Auxillary Box:	No Auxillary Box	Pulley Shaft Indicator:	Standard
Auxillary Box Lead Termination:	None	Rodent Screen:	None
Base Indicator:	Rigid	Shaft Extension Location:	Pulley End
Bearing Grease Type:	Polyrex EM (-20F +300F)	Shaft Ground Indicator:	No Shaft Grounding

Blower:	None	Shaft Rotation:	Reversible
Current @ Voltage:	7.400 A @ 115.0 V	Shaft Slinger Indicator:	No Slinger
	3.900 A @ 208.0 V	Speed Code:	Single Speed
	3.700 A @ 230.0 V	Motor Standards:	NEMA
Design Code:	N	Starting Method:	Direct on line
Drip Cover:	No Drip Cover	Thermal Device - Bearing:	None
Duty Rating:	CONT	Thermal Device - Winding:	None
Electrically Isolated Bearing:	Not Electrically Isolated	Vibration Sensor Indicator:	No Vibration Sensor
Feedback Device:	NO FEEDBACK	Winding Thermal 1:	Automatic Thermal Overload
Front Face Code:	Standard	Winding Thermal 1 Location:	EP
Front Shaft Indicator:	None	Winding Thermal 2:	None
Heater Indicator:	No Heater	XP Temp Code:	T3C

Nameplate NP0301XPSL										
NO.		CC								
SER.										
SPEC.	34-6864W369G1									
CAT.NO.	L5004A-C									
HP	.5	T. CODE	T3C							
VOLTS	115/208-230									
AMPS	7.4/3.9-3.7									
RPM	1725									
HZ	60	PH	1	CL	B					
SER.F.	1.00	DES	N		CODE	J				
RATING	40C AMB-CONT									
FRAME	56	NEMA-NOM-EFF	64							
USABLE AT 208V	3.9	PF	66							
BLANK										

Parts List		
Part Number	Description	Quantity
SA165542	SA 34-6864W369G1	1.000 EA
RA153942	RA 34-6864W369G1	1.000 EA
TPMRJ38RX	THERMAL 1PH 0.75 AUT 120C	1.000 EA
EC1130A08SP	ELEC CAP 115V 1.125X2.750 X	2.000 EA
MJ5000A09	EFI KIT #1578 (400 ML CARTRIDGE OF EFI	0.050 EA
35CB1005A01	CONDUIT BOX,MACH - GROUP "C" MTRS	1.000 EA
11XW1032G06	10-32 X .38, TAPTITE II, HEX WSHR SLTD U	1.000 EA
HW3001B02	BRASS CUP WASHER W/GROUND SYMBOL TAB,	1.000 EA
51XW0832A07	8-32 X .44, TAPTITE II, HEX WSHR SLTD SE	2.000 EA
MG1025G29	WILKOFAS, 789.229, DARK CHARCOAL GRAY	0.014 GA
34EP3703A02	XP ENDPLATE, MACH	1.000 EA
HW4002A02	1-11.5X2LG PIPE NIPPLE (F/S)	1.000 EA
HA1025A13	WSHR,FELT,.38" THICK F-26 CLASS	1.000 EA
HW3021E06	1/8 DIA X 5/8 ROLLPIN (F/S)	1.000 EA
HW5100A03	WAVY WASHER (W1543-017)	1.000 EA
34EP3704A02	XP ENDPLATE, MACH	1.000 EA
XY3118A12	5/16-18 HEX NUT DIRECTIONAL SERRATION	4.000 EA
34FN3002A01SP	EXTERNAL FAN, PLASTIC, .637/.639 HUB W/	1.000 EA
34FH4002A01SP	IEC FH NO GREASER PRIMED	1.000 EA
51XW1032A06	10-32 X .38, TAPTITE II, HEX WSHR SLTD S	3.000 EA
35CB1501A01	CONDUIT BOX LID, MACH. - GROUP "C" MTRS	1.000 EA
RM1020A41	O-RING, -150 BUNA-N, .103 CS X 2.862 ID	1.000 EA
HW2501D13	KEY, 3/16 SQ X 1.375	1.000 EA
HA7000A04	KEY RETAINER 0.625 DIA SHAFTS	1.000 EA

Parts List (continued)		
Part Number	Description	Quantity
LB1359W	ALUM XP CAUTION LABEL	1.000 EA
HA6001A01	THERMAL RETAINER (PLATED)	1.000 EA
51XT0632A06	6-32X3/8 TY F HEX HD SLT	2.000 EA
NS2500A05	INSULATOR, AUTO THER PROT	1.000 EA
HA6003A52	CLAMP, CAPACITOR, WHITE ZINC PLATED	2.000 EA
51XW0832A07	8-32 X .44, TAPTITE II, HEX WSHR SLTD SE	2.000 EA
85XU0407S04	4X1/4 U DRIVE PIN STAINLESS	6.000 EA
WD1000A16	2-520128-2 AMP FLAG TERM (4M/RL) 22-18	5.000 EA
SP5036A01	STAT. SWITCH ASSY. MODEL 34 TYPE L OR S	1.000 EA
WD1000A16	2-520128-2 AMP FLAG TERM (4M/RL) 22-18	6.000 EA
WD1000A16	2-520128-2 AMP FLAG TERM (4M/RL) 22-18	8.000 EA
HA3104A08	THRUBOLT-5/16-18X9.375 X X	4.000 EA
LB1118	LABEL,WARNING (ROLL LABEL)	1.000 EA
LC0008	CONNECTION LABEL	1.000 EA
MN416A01	TAG-INSTAL-MAINT no wire (1200/bx) 1/21	1.000 EA
NP0301XPSL	SS XP UL CSA CC CL-I GP-C&D CL-II GP-F&G	1.000 EA
35PA1007	PKG GRP, PRINT PK1034A06	1.000 EA

AC Induction Motor Performance Data

Record # 48773

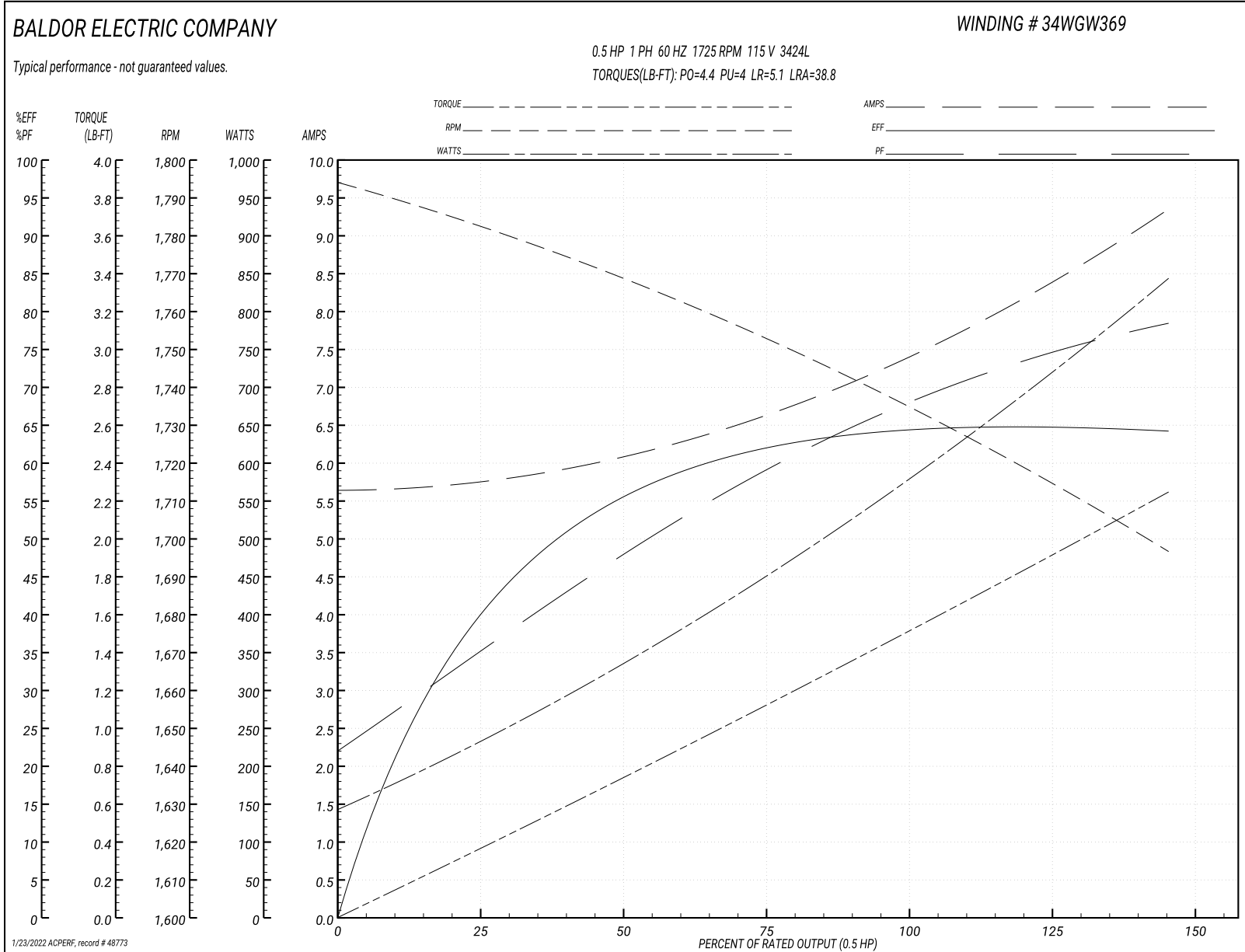
Typical performance - not guaranteed values

Winding: 34WGW369-R001			Type: 3424L			Enclosure: XPFC		
Nameplate Data						115 V, 60 Hz: Low Voltage Connection		
Rated Output (HP)	.5		Full Load Torque	1.5 LB-FT				
Volts	115/208-230		Start Configuration	direct on line				
Full Load Amps	7.4/3.9-3.7		Breakdown Torque	4.4 LB-FT				
R.P.M.	1725		Pull-up Torque	4 LB-FT				
Hz	60	Phase	1	Locked-rotor Torque	5.1 LB-FT			
NEMA Design Code	N	KVA Code	J	Starting Current	38.8 A			
Service Factor (S.F.)	1		No-load Current	5.62 A				
NEMA Nom. Eff.	64	Power Factor	66	Line-line Res. @ 25°C	0.913 Ω A Ph 2.88 Ω B Ph			
Rating - Duty	40C AMB-CONT		Temp. Rise @ Rated Load	61°C				
			Locked-rotor Power Factor	89.3				
			Rotor inertia	0.057 LB-FT ²				

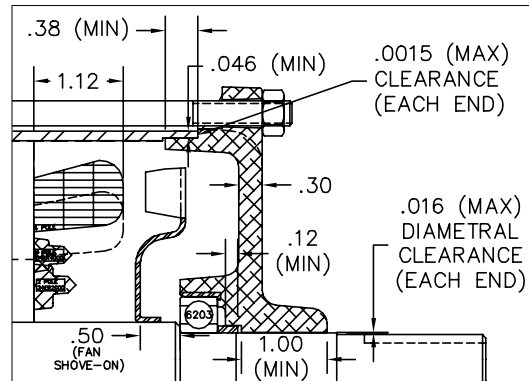
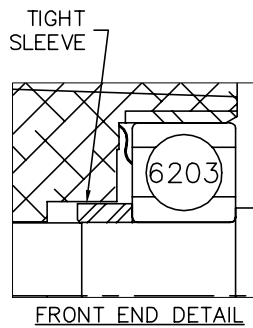
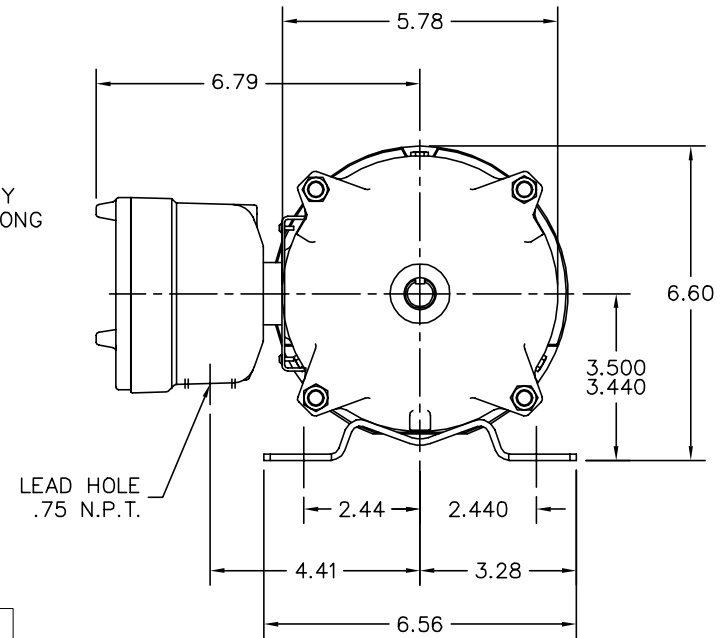
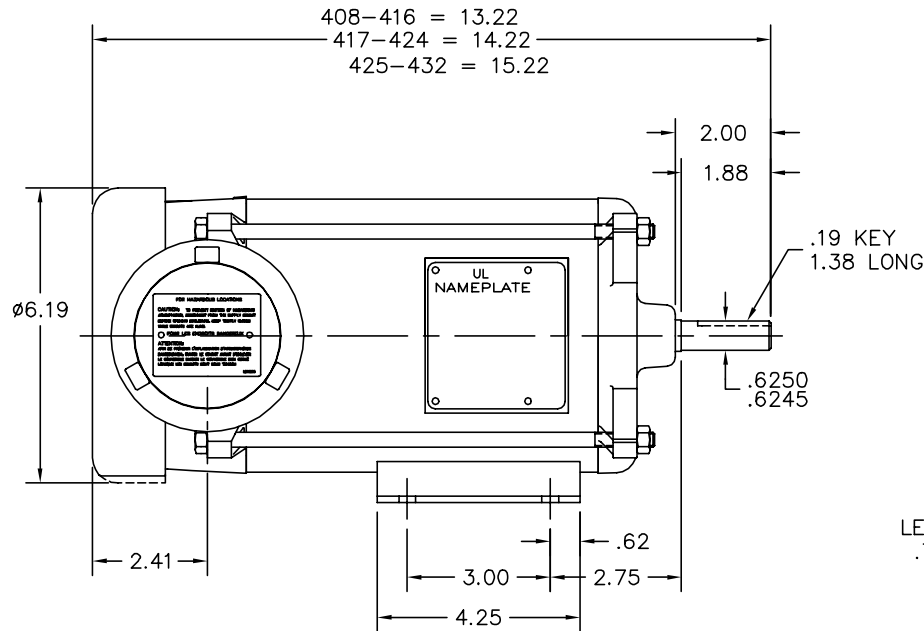
Load Characteristics 115 V, 60 Hz, 0.5 HP

% of Rated Load	25	50	75	100	125	150
Power Factor	37	48	59	67	74	79
Efficiency	38.9	55.3	62.3	64.9	65.3	63.8
Speed	1781	1768	1753	1736	1717	1696
Line amperes	5.78	6.12	6.62	7.38	8.26	9.38

Performance Graph at 115V, 60Hz, 0.5HP Typical performance - Not guaranteed values



34LY6864



CUSTOMER IS RESPONSIBLE FOR DETERMINING THAT BALDOR'S PRODUCT WILL PERFORM SUITABLY IN THE INTENDED APPLICATION.

REV. DESC: UPDATE PARTS, DIMENSIONS, LAYERS & DESCRIPTION		
REV. LTR: F	VERSION: 06	TDR: 00000964164
FILE: \AAA\00086\923	REVISED: 02:19:21 11/08/2016	BY: ENMAIYO
MTL: -		

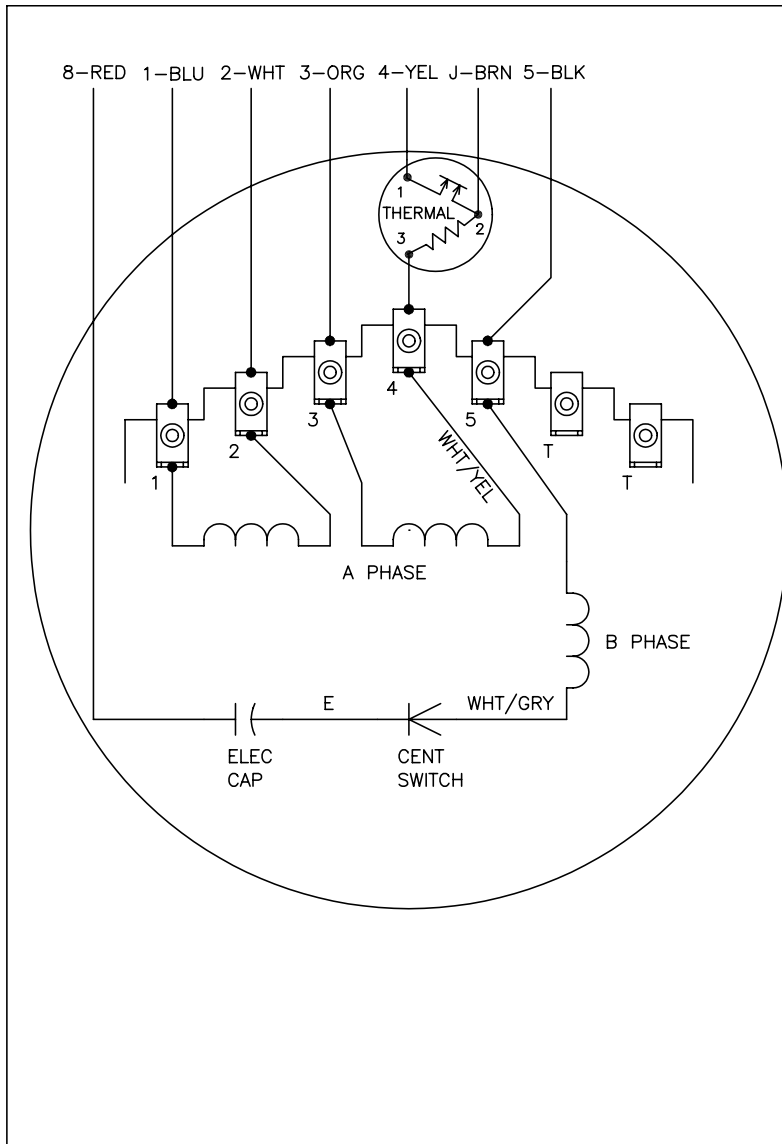
BALDOR

HORZ X34L 56 XPFC, CL-I GP-C&D, CL-II GP-F&G, .75 NPT

SH 1 of 1

34LY6864

CD0565

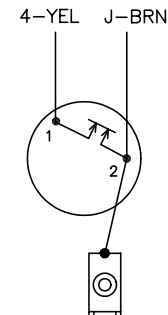


	LINE A	LINE B	JOIN	JOIN
HIGH STD	1	4	2,3,8	J,5
HIGH OPP	1	4	2,3,5	J,8
LOW STD	1,3,8	4	-	2,J,5
LOW OPP	1,3,5	4	-	2,J,8

NOTES:

1. STANDARD ROTATION IS CCW FACING END OPPOSITE SHAFT EXTENSION.
2. MULTIPLE CAPACITORS ARE CONNECTED IN PARALLEL UNLESS OTHERWISE SPECIFIED.
3. LEAD COLORS ARE OPTIONAL. LEADS MUST ALWAYS BE NUMBERED AS SHOWN.

CONNECTIONS FOR TWO-TERMINAL THERMAL



REV. DESC: REVISE TO SHOW OPTIONAL COLORS			
REV. LTR: C	BY: JLP	REVISED: 04/08/99 3:25	TDR: 0178636
9900CD		FILE: AAA00014311	MDL: -
		MTL: -	

BALDOR ELECTRIC Co.

TYPE L, DV, REV, THERMAL, 7 LD, 34XP

CD0565