

**BALDOR® • RELIANCE** 

**Product Information Packet**

**M2527**

**20HP,1760RPM,3PH,60HZ,286U,3940M,OPSB,F1**

Part Detail							
Revision:	N	Status:	INA/A	Change #:		Proprietary:	No
Type:	AC	Elec. Spec:	39WGW830	CD Diagram:	CD0005	Mfg Plant:	
Mech. Spec:	39L57	Layout:	39LYL057	Poles:	04	Created Date:	
Base:	RG	Eff. Date:	03-08-2016	Leads:	9#12		

Specs			
Catalog Number:	M2527	Insulation Class:	B
Enclosure:	ODP	Inverter Code:	Not Inverter
Frame:	286U	KVA Code:	H
Output @ Frequency:	20.000 HP @ 60 HZ	Lifting Lugs:	Standard Lifting Lugs
Synchronous Speed @ Frequency:	1800 RPM @ 60 HZ	Locked Bearing Indicator:	No Locked Bearing
Voltage @ Frequency:	230.0 V @ 60 HZ	Motor Lead Quantity/Wire Size:	9 @ 12 AWG
	460.0 V @ 60 HZ	Motor Lead Exit:	Ko Box
XP Division:	Not Applicable	Motor Lead Termination:	Flying Leads
Agency Approvals:	CSA	Motor Type:	3940M
	UR	Mounting Arrangement:	F1
Auxillary Box:	No Auxillary Box	Power Factor:	81
Auxillary Box Lead Termination:	None	Product Family:	General Purpose
Base Indicator:	RG	Pulley End Bearing Type:	Ball
Bearing Grease Type:	Polyrex EM (-20F +300F)	Pulley Face Code:	Standard
Blower:	None	Pulley Shaft Indicator:	Standard
Current @ Voltage:	25.000 A @ 460.0 V	Rodent Screen:	None
	50.000 A @ 230.0 V	Shaft Extension Location:	Pulley End
	52.600 A @ 208.0 V	Shaft Ground Indicator:	No Shaft Grounding

<b>Design Code:</b>	B	<b>Shaft Rotation:</b>	Reversible
<b>Drip Cover:</b>	No Drip Cover	<b>Shaft Slinger Indicator:</b>	No Slinger
<b>Duty Rating:</b>	CONT	<b>Speed Code:</b>	Single Speed
<b>Electrically Isolated Bearing:</b>	Not Electrically Isolated	<b>Motor Standards:</b>	NEMA
<b>Feedback Device:</b>	NO FEEDBACK	<b>Starting Method:</b>	Direct on line
<b>Front Face Code:</b>	Standard	<b>Thermal Device - Bearing:</b>	None
<b>Front Shaft Indicator:</b>	None	<b>Thermal Device - Winding:</b>	None
<b>Heater Indicator:</b>	No Heater	<b>Vibration Sensor Indicator:</b>	No Vibration Sensor

Nameplate NP1256L										
CAT.NO.	M2527									
SPEC.	39L057W830									
HP	20									
VOLTS	230/460									
AMP	50/25									
RPM	1760									
FRAME	286U				HZ	60			PH	3
SER.F.	1.15		CODE	H	DES	B		CLASS	B	
NEMA-NOM-EFF	91.7		PF	81						
RATING	40C AMB-CONT									
CC	010A				USABLE AT 208V			52.6		
DE	6311				ODE	6208				
ENCL	OPSB		SN							

Parts List		
Part Number	Description	Quantity
SA080310	SA 39L057W830	1.000 EA
RA073715	RA 39L057W830	1.000 EA
HA6361A01	LIFTING LUG FOR 37, 39 & 40 FRAME ZINC	2.000 EA
09CB2800A01	ADAPTER MACH FOR 10CB3000	1.000 EA
84XN3118J08	5/16-18 X 1/2 SOC HD CAP SCREW	2.000 EA
HW1001A31	LOCKWASHER 5/16, ZINC PLT.591 OD, .319 I	2.000 EA
10CB3000SP	KOBX, CAST W/2.00 LEAD HOLE	1.000 EA
19XW3118A12	.31-18 X .75 HEX WASHER HEAD TAPTITE II	4.000 EA
HW1001A31	LOCKWASHER 5/16, ZINC PLT.591 OD, .319 I	4.000 EA
WD1000B16	T&B CX70TN OR L70P TERMINAL LUG	1.000 EA
51XF2520A08	SCREW, HEX SER SLT HD, ZN 1/4-20 X .50 L	1.000 EA
39EP3200A01SP	FR/PU ENDPLATE, MACH	1.000 EA
HA4051A00	PLASTIC CAP FOR GREASE FITTING	1.000 EA
HW5100A08	W3118-035 WVY WSHR (WB)	1.000 EA
39EP3202A01	ENDPLATE MACH	1.000 EA
HA4051A00	PLASTIC CAP FOR GREASE FITTING	1.000 EA
XY3816A12	3/8-16 FINISHED NUT	8.000 EA
10CB3500SP	CONDUIT BOX LID, CAST	1.000 EA
51XW2520A12	.25-20 X .75, TAPTITE II, HEX WSHR SLTD	4.000 EA
HW2501G32	KEY, 3/8 SQ X 3.750	1.000 EA
LB1115N	LABEL,LIFTING DEVICE (ON ROLLS)	1.000 EA
HW4500A03	GREASE FITTING, .125 NPT 1610(ALEMITE) 8	1.000 EA
HW4500A20	1/8NPT SL PIPE PLUG	1.000 EA
MJ1000A02	GREASE, MOBIL POLYREX EM - 124047	0.030 LB

<b>Parts List (continued)</b>		
<b>Part Number</b>	<b>Description</b>	<b>Quantity</b>
HW4500A03	GREASE FITTING, .125 NPT 1610(ALEMITE) 8	1.000 EA
HW4500A20	1/8NPT SL PIPE PLUG	1.000 EA
HA3154A03	STUD, 3/8-16 X 17.75	4.000 EA
MG1000G27	MED CHARCOAL METALLIC GREY 400-0096	0.035 GA
85XU0407S04	4X1/4 U DRIVE PIN STAINLESS	2.000 EA
39AD2002A01	BAFFLE PLATE 39 OPEN, SLOTTED BAND MTRS	2.000 EA
LC0005E01	CONN.DIA./WARNING LABEL (LC0005/LB1119N)	1.000 EA
NP1256L	ALUM UL CSA CC INDUSTRIAL MOTOR A60	1.000 EA
40PA1000	PACKAGING GROUP	1.000 EA
MN416A01	TAG-INSTAL-MAINT no wire (1200/bx) 1/21	1.000 EA

<b>Accessories</b>		
<b>Part Number</b>	<b>Description</b>	<b>Multiplier</b>
39-1403	C FACE KIT	A8

**AC Induction Motor Performance Data**

Record # 12951

Typical performance - not guaranteed values

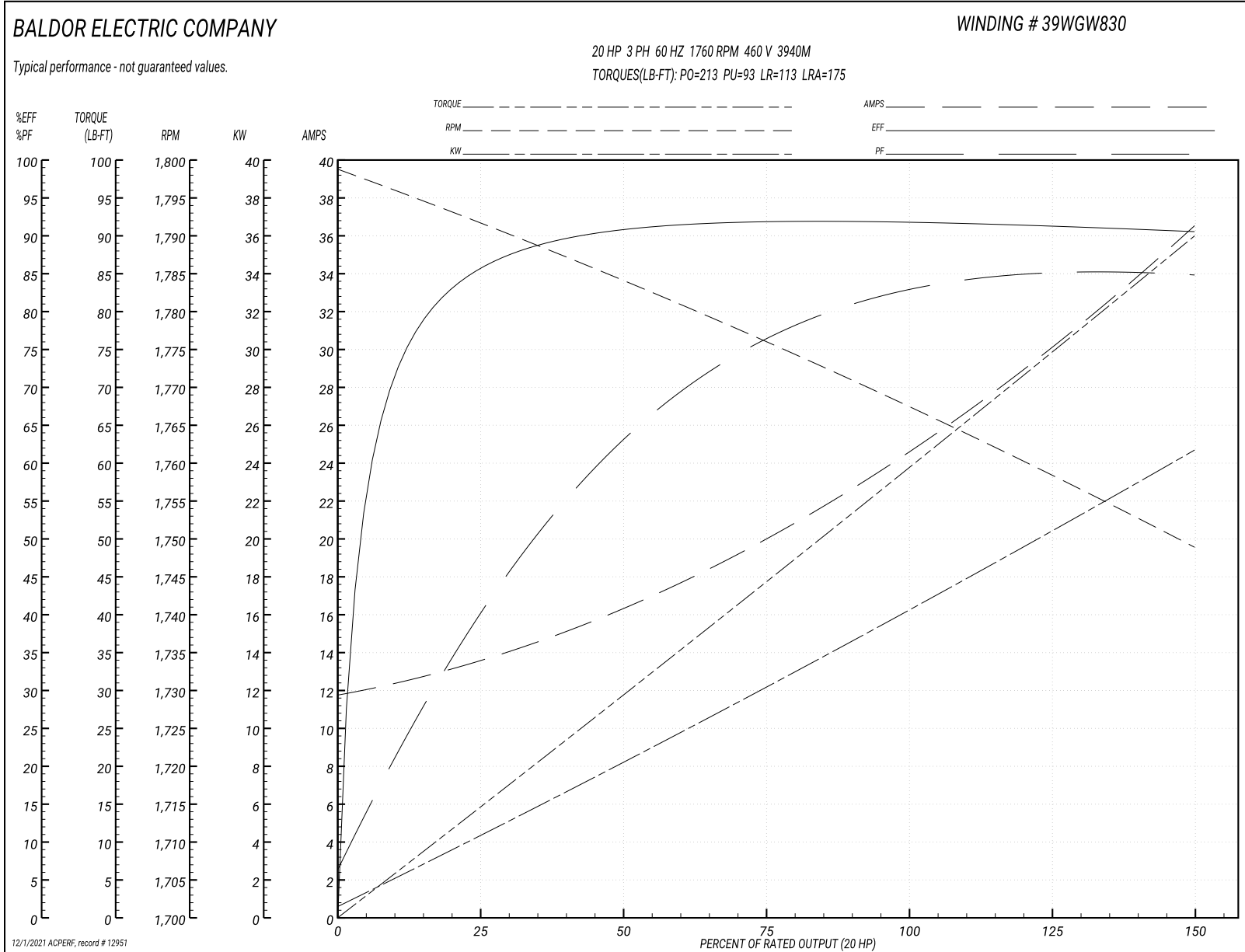
<b>Winding:</b> 39WGW830-R001		<b>Type:</b> 3940M		<b>Enclosure:</b> OPSB	
<b>Nameplate Data</b>			<b>460 V, 60 Hz: High Voltage Connection</b>		
<b>Rated Output (HP)</b>	20	<b>Full Load Torque</b>	60 LB-FT		
<b>Volts</b>	230/460	<b>Start Configuration</b>	direct on line		
<b>Full Load Amps</b>	50/25	<b>Breakdown Torque</b>	213 LB-FT		
<b>R.P.M.</b>	1760	<b>Pull-up Torque</b>	93 LB-FT		
<b>Hz</b>	60 Phase	<b>Locked-rotor Torque</b>	113 LB-FT		
<b>NEMA Design Code</b>	B	<b>Starting Current</b>	175 A		
<b>Service Factor (S.F.)</b>	1.15	<b>No-load Current</b>	12.1 A		
<b>NEMA Nom. Eff.</b>	91.7	<b>Line-line Res. @ 25°C</b>	0.482 Ω		
<b>Rating - Duty</b>	40C AMB-CONT	<b>Temp. Rise @ Rated Load</b>	36°C		
<b>S.F. Amps</b>		<b>Temp. Rise @ S.F. Load</b>	44°C		
		<b>Locked-rotor Power Factor</b>	35		
		<b>Rotor inertia</b>	1.75 LB-FT <sup>2</sup>		

**Load Characteristics 460 V, 60 Hz, 20 HP**

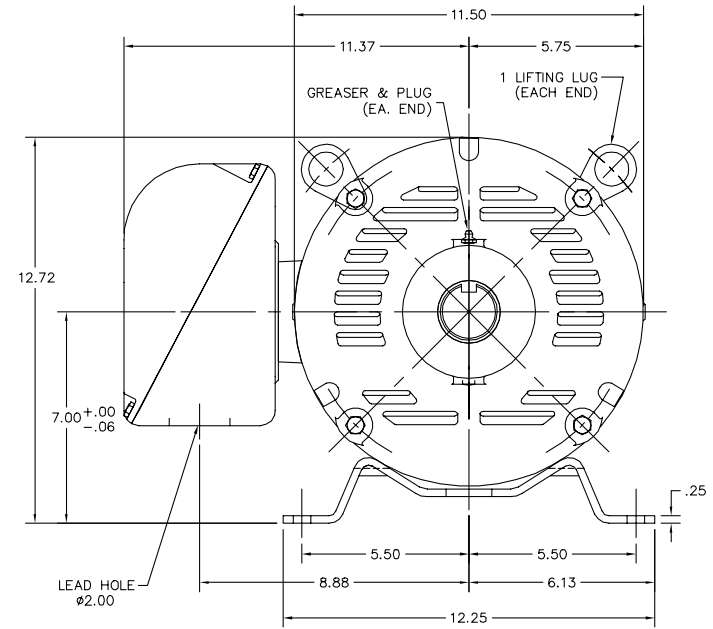
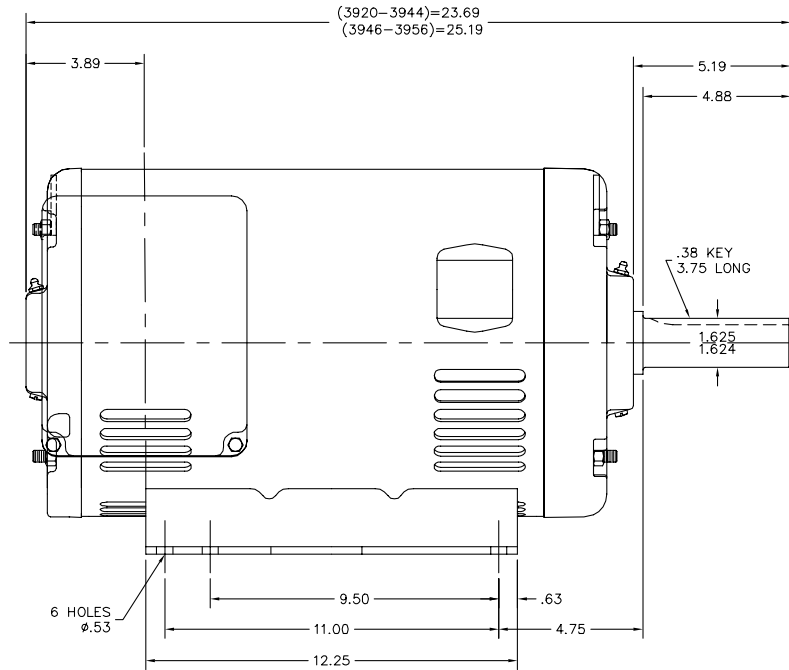
<b>% of Rated Load</b>	<b>25</b>	<b>50</b>	<b>75</b>	<b>100</b>	<b>125</b>	<b>150</b>	<b>S.F.</b>
<b>Power Factor</b>	42	65	76	82	85	85	84
<b>Efficiency</b>	85.6	90.7	91.9	91.9	91.3	90.5	91.5
<b>Speed</b>	1791	1784	1776	1767	1758	1749	1762
<b>Line amperes</b>	13.2	16.2	20.3	25.1	30.4	36.3	28.28



Performance Graph at 460V, 60Hz, 20.0HP Typical performance - Not guaranteed values



39LYL057



39LYL057

CUSTOMER IS RESPONSIBLE FOR DETERMINING THAT BALDOR'S PRODUCT WILL PERFORM SUITABLY IN THE INTENDED APPLICATION.

REV. DESC: ADDED MISSING DIMENSION		
REV. LTR: D	VERSION: 03	TDR: 000000858528
FILE: \AAA\00012\532	REVISED: 03:01:56 06/17/2014	BY: ENNINDO
MTL: -		

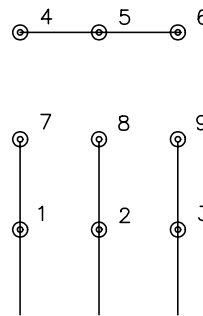
**BALDOR**

HOR OPSB 284-6U  
SH 1 of 1

CD0005

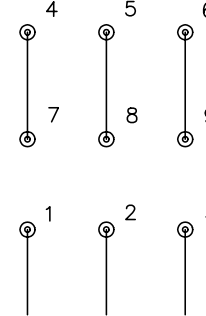


LOW VOLTAGE  
(2Y)



LINE

HIGH VOLTAGE  
(1Y)



LINE

NOTES:

1. INTERCHANGE ANY TWO LINE LEADS TO REVERSE ROTATION.
2. OPTIONAL THERMOSTATS ARE PROVIDED WHEN SPECIFIED.
3. ACTUAL NUMBER OF INTERNAL PARALLEL CIRCUITS MAY BE A MULTIPLE OF THOSE SHOWN ABOVE.
4. LEAD COLORS ARE OPTIONAL. LEADS MUST ALWAYS BE NUMBERED AS SHOWN.

REV. DESC: REVISE TO SHOW OPTIONAL COLORS			
REV. LTR: E	BY: JLP	REVISED: 01/19/99 10:15	TDR: 0171435
90000		FILE: AAA00005140	MDL: -
		MTL: -	

**BALDOR ELECTRIC Co.**

3PH, DV, 9 LEADS

CD0005