

BALDOR® • RELIANCE 

Product Information Packet

M3111

.75HP,3450RPM,3PH,60HZ,56,3413M,OPEN,F1

Part Detail							
Revision:	B	Status:	INA/A	Change #:		Proprietary:	No
Type:	AC	Elec. Spec:	34WG0255	CD Diagram:	CD0005	Mfg Plant:	
Mech. Spec:	34F779	Layout:	34LYF779	Poles:	02	Created Date:	08-10-2011
Base:	RG	Eff. Date:	01-21-2015	Leads:	9#18		

Specs			
Catalog Number:	M3111	Inverter Code:	Not Inverter
Enclosure:	ODP	KVA Code:	K
Frame:	56	Lifting Lugs:	No Lifting Lugs
Frame Material:	Steel	Locked Bearing Indicator:	No Locked Bearing
Output @ Frequency:	.750 HP @ 60 HZ	Motor Lead Quantity/Wire Size:	9 @ 18 AWG
Synchronous Speed @ Frequency:	3600 RPM @ 60 HZ	Motor Lead Exit:	Ko Box
Voltage @ Frequency:	230.0 V @ 60 HZ	Motor Lead Termination:	Flying Leads
	460.0 V @ 60 HZ	Motor Type:	3413M
XP Division:	Not Applicable	Mounting Arrangement:	F1
Agency Approvals:	UR	Power Factor:	73
	CSA	Product Family:	General Purpose
Auxillary Box:	No Auxillary Box	Pulley End Bearing Type:	Ball
Auxillary Box Lead Termination:	None	Pulley Face Code:	Standard
Base Indicator:	Rigid	Pulley Shaft Indicator:	Standard
Bearing Grease Type:	Polyrex EM (-20F +300F)	Rodent Screen:	None
Blower:	None	RoHS Status:	ROHS COMPLIANT
Current @ Voltage:	1.300 A @ 460.0 V	Shaft Extension Location:	Pulley End
	2.600 A @ 230.0 V	Shaft Ground Indicator:	No Shaft Grounding

	3.100 A @ 208.0 V	Shaft Rotation:	Reversible
Design Code:	B	Shaft Slinger Indicator:	No Slinger
Drip Cover:	No Drip Cover	Speed Code:	Single Speed
Duty Rating:	CONT	Motor Standards:	NEMA
Electrically Isolated Bearing:	Not Electrically Isolated	Starting Method:	Direct on line
Feedback Device:	NO FEEDBACK	Thermal Device - Bearing:	None
Front Face Code:	Standard	Thermal Device - Winding:	None
Front Shaft Indicator:	None	Vibration Sensor Indicator:	No Vibration Sensor
Heater Indicator:	No Heater	Winding Thermal 1:	None
Insulation Class:	B	Winding Thermal 2:	None

Nameplate NP1256L										
CAT.NO.	M3111									
SPEC.	34F779-0255									
HP	.75									
VOLTS	230/460									
AMP	2.6/1.3									
RPM	3450									
FRAME	56				HZ	60			PH	3
SER.F.	1.25		CODE	K	DES	B		CLASS	B	
NEMA-NOM-EFF	74		PF	73						
RATING	40C AMB-CONT									
CC								USABLE AT 208V	3.1	
DE	6203				ODE	6203				
ENCL	OPEN		SN							
	SFA 3/1.5									

Parts List		
Part Number	Description	Quantity
SA229087	SA 34F779-0255	1.000 EA
RA216139	RA 34F779-0255	1.000 EA
NS2512A01	INSULATOR, CONDUIT BOX X	1.000 EA
34CB3002A	CB CAST W/.88 DIA HOLE	1.000 EA
51XB1016A07	10-16 X 7/16 HXWSSLD SERTYB	2.000 EA
11XW1032G06	10-32 X .38, TAPTITE II, HEX WSHR SLTD U	1.000 EA
34EP3210A01SP	FR ENDPLATE, MACH	1.000 EA
HW5100A03	WAVY WASHER (W1543-017)	1.000 EA
34EP3212A24	PU ENDPLATE, MODEL 34 OPEN	1.000 EA
XY1032A02	10-32 HEX NUT DIRECTIONAL SERRATION	4.000 EA
34CB4517	CB LID 4 MTG HOLES .22 DIA STAMPED, FOR	1.000 EA
51XW0832A07	8-32 X .44, TAPTITE II, HEX WSHR SLTD SE	4.000 EA
HW2501D13	KEY, 3/16 SQ X 1.375	1.000 EA
HA7000A04	KEY RETAINER 0.625 DIA SHAFTS	1.000 EA
MG1000G27	MED CHARCOAL METALLIC GREY 400-0096	0.014 GA
10XF0440S02	04-40 X 1/8 TYPE F HEX HD STAINLESS STIC	2.000 EA
HA3100A12	THRUBOLT 10-32 X 7.375	4.000 EA
LB1125C01	STD (STOCK) CARTON LABEL BALDOR WITH FLA	1.000 EA
LC0005E01	CONN.DIA./WARNING LABEL (LC0005/LB1119N)	1.000 EA
NP1256L	ALUM UL CSA CC INDUSTRIAL MOTOR A60	1.000 EA
35PA1066	PKG GRP, PRINT PK1001A01	1.000 EA

AC Induction Motor Performance Data

Record # 6563

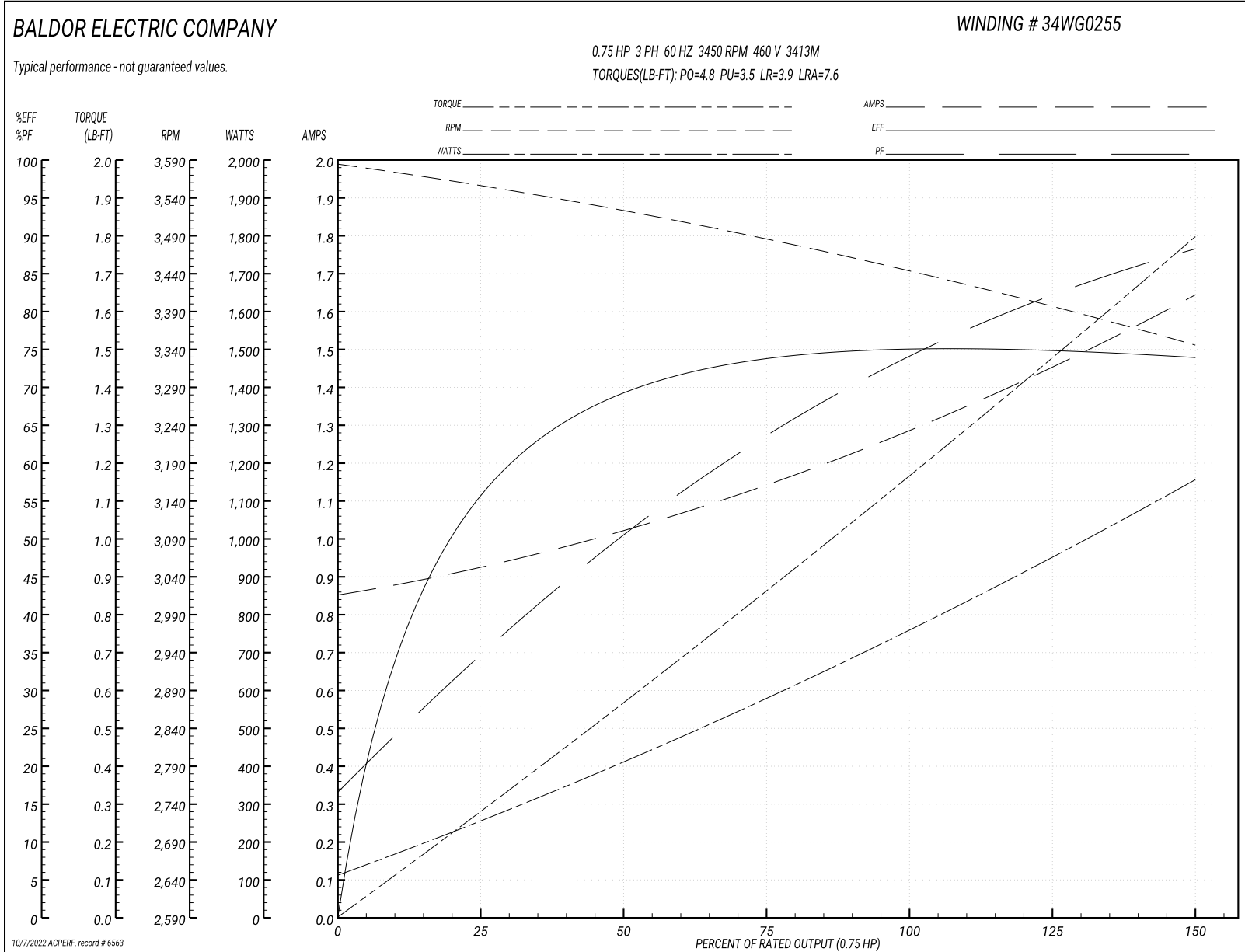
Typical performance - not guaranteed values

Winding: 34WG0255-R001		Type: 3413M		Enclosure: OPEN	
Nameplate Data			460 V, 60 Hz: High Voltage Connection		
Rated Output (HP)	.75	Full Load Torque	1.2 LB-FT		
Volts	230/460	Start Configuration	direct on line		
Full Load Amps	2.6/1.3	Breakdown Torque	4.8 LB-FT		
R.P.M.	3450	Pull-up Torque	3.5 LB-FT		
Hz	60 Phase	Locked-rotor Torque	3.9 LB-FT		
NEMA Design Code	B	Starting Current	7.6 A		
Service Factor (S.F.)	1.25	No-load Current	0.85 A		
NEMA Nom. Eff.	74	Line-line Res. @ 25°C	24.6 Ω		
Rating - Duty	40C AMB-CONT	Temp. Rise @ Rated Load	25°C		
S.F. Amps	3/1.5	Temp. Rise @ S.F. Load	33°C		

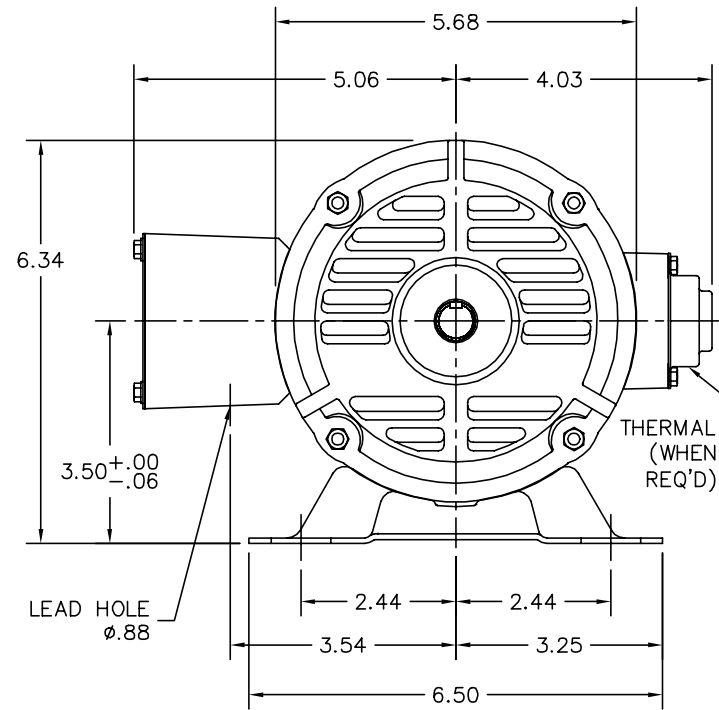
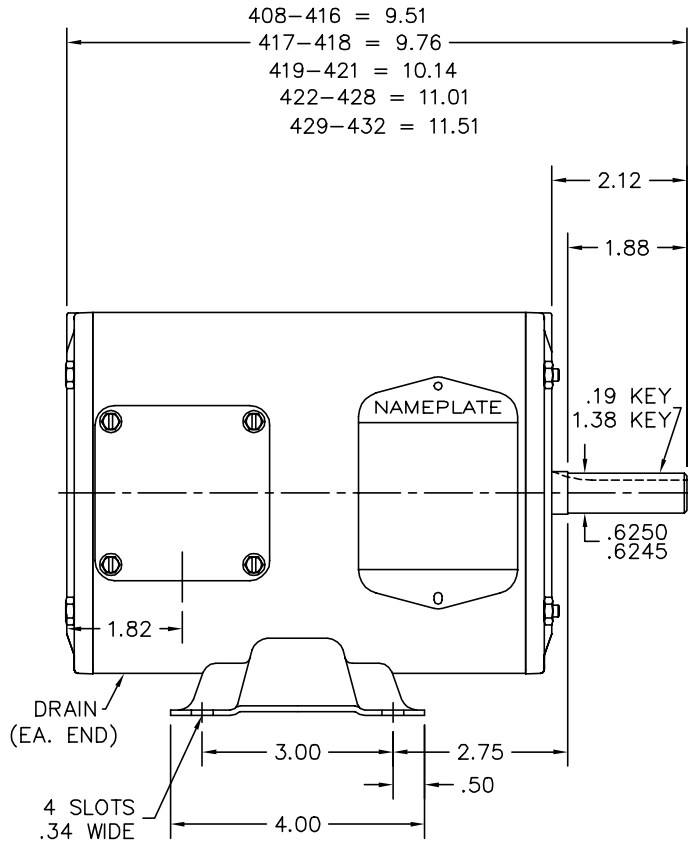
Load Characteristics 460 V, 60 Hz, 0.75 HP

% of Rated Load	25	50	75	100	125	150	S.F.
Power Factor	39	58	67	78	82	84	82
Efficiency	57.7	70.6	73.6	75.1	74.7	74	74.7
Speed	3553	3518	3481	3440	3395	3344	3393
Line amperes	0.95	1.02	1.12	1.33	1.5	1.62	1.5

Performance Graph at 460V, 60Hz, 0.75HP Typical performance - Not guaranteed values



34LYF779



CUSTOMER IS RESPONSIBLE FOR DETERMINING THAT BALDOR'S PRODUCT WILL PERFORM SUITABLY IN THE INTENDED APPLICATION.

REV. DESC: CHG PUEP FROM 34EP3212A24 TO -A02 SEE ZTR02 NOTES		
REV. LTR: D	VERSION: 04	TDR: 000000991828
FILE: \AAA\00181\763	REVISED: 09:50:22 08/11/2016	BY: ENBENBO
MTL: -	⊙ □	

BALDOR

HORZ 34M NEMA 56 OPEN

SH 1 of 1

34LYF779

CD0005

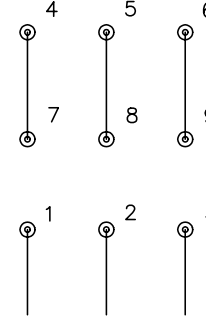


LOW VOLTAGE
(2Y)



LINE

HIGH VOLTAGE
(1Y)



LINE

NOTES:

1. INTERCHANGE ANY TWO LINE LEADS TO REVERSE ROTATION.
2. OPTIONAL THERMOSTATS ARE PROVIDED WHEN SPECIFIED.
3. ACTUAL NUMBER OF INTERNAL PARALLEL CIRCUITS MAY BE A MULTIPLE OF THOSE SHOWN ABOVE.
4. LEAD COLORS ARE OPTIONAL. LEADS MUST ALWAYS BE NUMBERED AS SHOWN.

REV. DESC: REVISE TO SHOW OPTIONAL COLORS

REV. LTR: E BY: JLP

REVISED: 01/19/99 10:15

TDR: 0171435

90000

FILE: AAA00005140

MDL: -

MTL: -

BALDOR ELECTRIC Co.

3PH, DV, 9 LEADS

CD0005