

BALDOR® • RELIANCE 

Product Information Packet

M3211

3HP,1745RPM,3PH,60HZ,184,3536M,OPSB,F1,N

Part Detail							
Revision:	G	Status:	INA/A	Change #:		Proprietary:	No
Type:	AC	Elec. Spec:	35WGP741	CD Diagram:	CD0005	Mfg Plant:	
Mech. Spec:	35N830	Layout:	35LYN830	Poles:	04	Created Date:	05-20-2010
Base:	RG	Eff. Date:	03-08-2016	Leads:	9#18		

Specs			
Catalog Number:	M3211	Heater Indicator:	No Heater
Enclosure:	OPSB	Insulation Class:	B
Frame:	184	Inverter Code:	Not Inverter
Frame Material:	Steel	KVA Code:	K
Output @ Frequency:	3.000 HP @ 60 HZ	Lifting Lugs:	No Lifting Lugs
Synchronous Speed @ Frequency:	1800 RPM @ 60 HZ	Locked Bearing Indicator:	No Locked Bearing
Voltage @ Frequency:	208.0 V @ 60 HZ	Motor Lead Quantity/Wire Size:	9 @ 18 AWG
	230.0 V @ 60 HZ	Motor Lead Exit:	Ko Box
	460.0 V @ 60 HZ	Motor Lead Termination:	Flying Leads
XP Class and Group:	None	Motor Type:	3536M
XP Division:	Not Applicable	Mounting Arrangement:	F1
Agency Approvals:	UR	Power Factor:	80
	CSA	Product Family:	General Purpose
Auxillary Box:	No Auxillary Box	Pulley End Bearing Type:	Ball
Auxillary Box Lead Termination:	None	Pulley Face Code:	Standard
Base Indicator:	Rigid	Pulley Shaft Indicator:	Standard
Bearing Grease Type:	Polyrex EM (-20F +300F)	Rodent Screen:	None
Blower:	None	Shaft Extension Location:	Pulley End

Current @ Voltage:	4.100 A @ 460.0 V	Shaft Ground Indicator:	No Shaft Grounding
	8.200 A @ 230.0 V	Shaft Rotation:	Reversible
	8.900 A @ 208.0 V	Shaft Slinger Indicator:	No Slinger
Design Code:	B	Speed Code:	Single Speed
Drip Cover:	No Drip Cover	Motor Standards:	NEMA
Duty Rating:	CONT	Starting Method:	Direct on line
Electrically Isolated Bearing:	Not Electrically Isolated	Thermal Device - Bearing:	None
Feedback Device:	NO FEEDBACK	Thermal Device - Winding:	None
Front Face Code:	Standard	Vibration Sensor Indicator:	No Vibration Sensor
Front Shaft Indicator:	None	Winding Thermal 1:	None
		Winding Thermal 2:	None

Nameplate NP1256L										
CAT.NO.	M3211									
SPEC.	35N830P741H1									
HP	3									
VOLTS	208-230/460									
AMP	8.9-8.2/4.1									
RPM	1745									
FRAME	184				HZ	60			PH	3
SER.F.	1.15		CODE	K	DES	B		CLASS	B	
NEMA-NOM-EFF	86.5		PF	80						
RATING	40C AMB-CONT									
CC	010A				USABLE AT 208V					
DE	6206				ODE	6203				
ENCL	OPSB		SN							

Parts List		
Part Number	Description	Quantity
SA196920	SA 35N830P741H1	1.000 EA
RA184361	RA 35N830P741H1	1.000 EA
NS2512A01	INSULATOR, CONDUIT BOX X	1.000 EA
35CB3009	35 CB W/1.09 DIA. LEAD HOLE @ 6:	1.000 EA
51XB1016A07	10-16 X 7/16 HXWSSLD SERTYB	2.000 EA
11XW1032G06	10-32 X .38, TAPTITE II, HEX WSHR SLTD U	1.000 EA
35EP3209A00	FREP ASSEMBLY FOR ROUTING	1.000 EA
HW4500A01	1641B(ALEMITE)400 UNIV, GREASE FITT	1.000 EA
HW5100A03	WAVY WASHER (W1543-017)	1.000 EA
35EP3207A01	PU ENDPLATE, MACH	1.000 EA
HW4500A01	1641B(ALEMITE)400 UNIV, GREASE FITT	1.000 EA
XY1032A02	10-32 HEX NUT DIRECTIONAL SERRATION	4.000 EA
35CB4521	35 LIPPED CB LID (GALV & PHOSPH)	1.000 EA
51XW0832A07	8-32 X .44, TAPTITE II, HEX WSHR SLTD SE	4.000 EA
HW2501D13	KEY, 3/16 SQ X 1.375	1.000 EA
HA7000A01	KEY RETAINER 7/8" DIA SHAFT	1.000 EA
85XU0407S04	4X1/4 U DRIVE PIN STAINLESS	2.000 EA
MJ1000A02	GREASE, MOBIL POLYREX EM - 124047	0.050 LB
MG1000G27	MED CHARCOAL METALLIC GREY 400-0096	0.017 GA
HA3100A34	THRUBOLT 10-32 X 11.250	4.000 EA
35AD2005A01	BAFFLE PLATE,MOD 35-SLTD BAND MTRS TDR	2.000 EA
LC0005E01	CONN.DIA./WARNING LABEL (LC0005/LB1119N)	1.000 EA
NP1256L	ALUM UL CSA CC INDUSTRIAL MOTOR A60	1.000 EA
35PA1066	PKG GRP, PRINT PK1008A06	1.000 EA

Parts List (continued)		
Part Number	Description	Quantity
MN416A01	TAG-INSTAL-MAINT no wire (1200/bx) 1/21	1.000 EA

Accessories		
Part Number	Description	Multiplier
35-1409	C FACE KIT	A8

AC Induction Motor Performance Data

Record # 27548

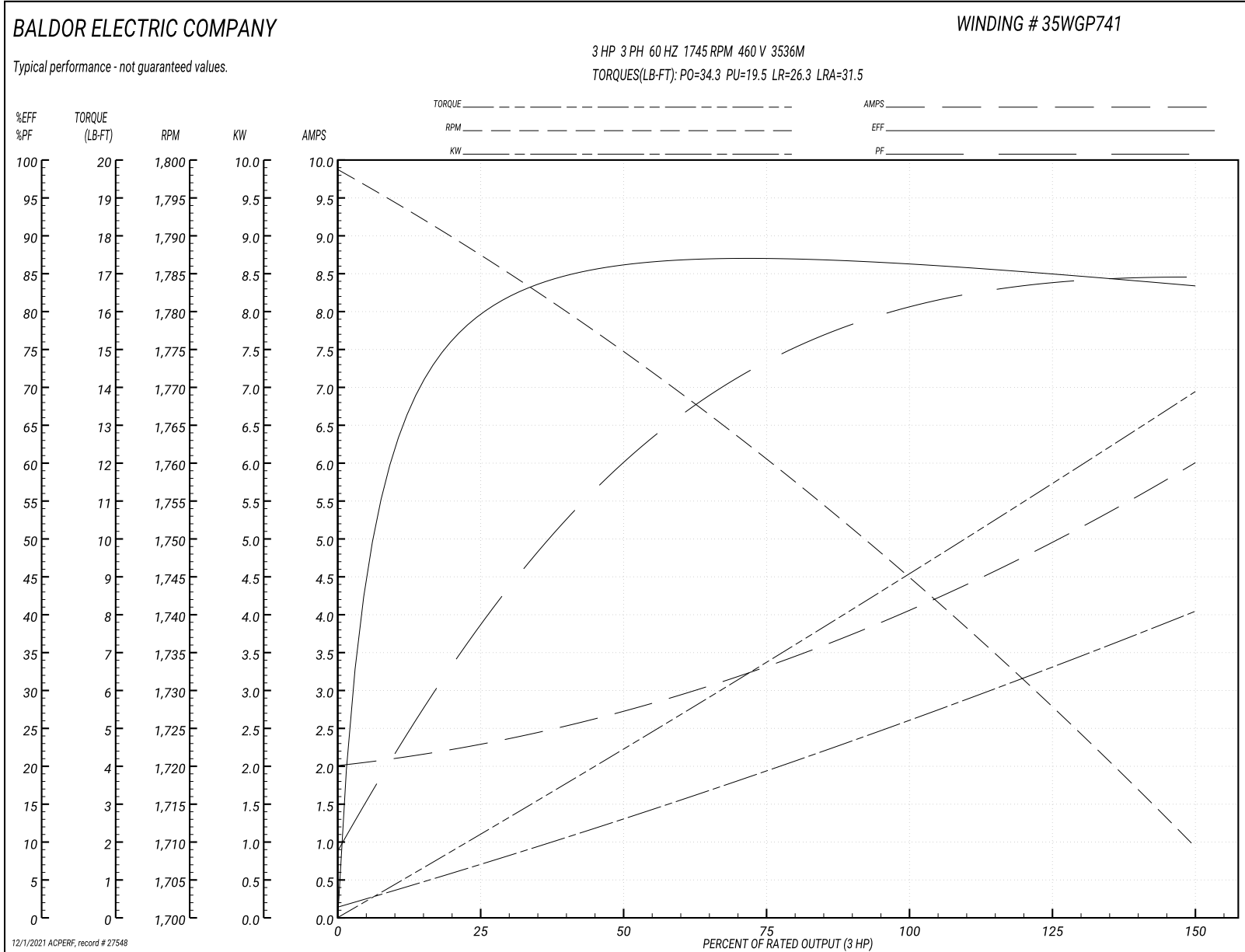
Typical performance - not guaranteed values

Winding: 35WGP741-R001		Type: 3536M		Enclosure: OPSB	
Nameplate Data			460 V, 60 Hz: High Voltage Connection		
Rated Output (HP)		3	Full Load Torque		9.07 LB-FT
Volts		208-230/460	Start Configuration		direct on line
Full Load Amps		8.9-8.2/4.1	Breakdown Torque		34.3 LB-FT
R.P.M.		1745	Pull-up Torque		19.5 LB-FT
Hz	60 Phase	3	Locked-rotor Torque		26.3 LB-FT
NEMA Design Code	B KVA Code	K	Starting Current		31.5 A
Service Factor (S.F.)		1.15	No-load Current		2.04 A
NEMA Nom. Eff.	86.5 Power Factor	80	Line-line Res. @ 25°C		5.31 Ω
Rating - Duty		40C AMB-CONT	Temp. Rise @ Rated Load		54°C
S.F. Amps			Temp. Rise @ S.F. Load		68°C
			Locked-rotor Power Factor		47
			Rotor inertia		0.213 LB-FT ²

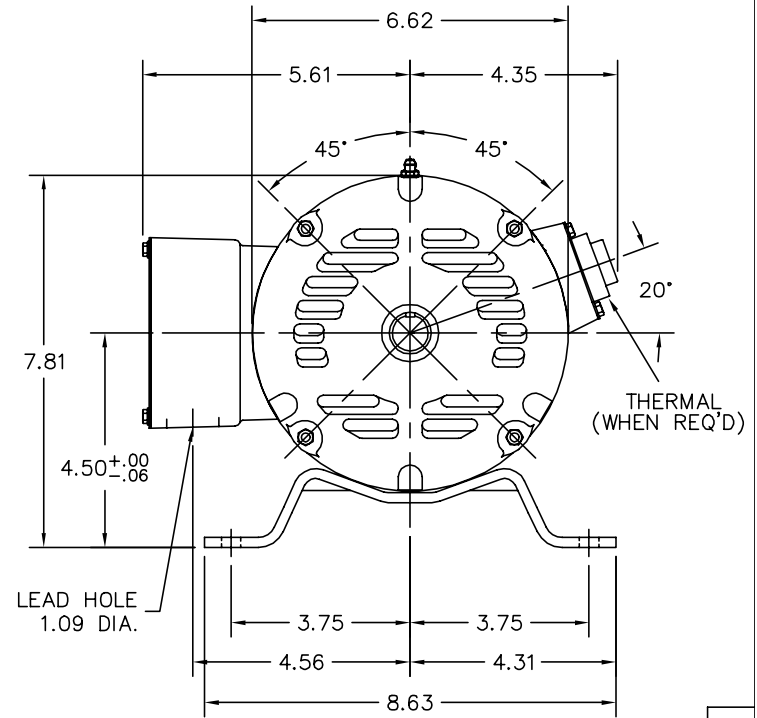
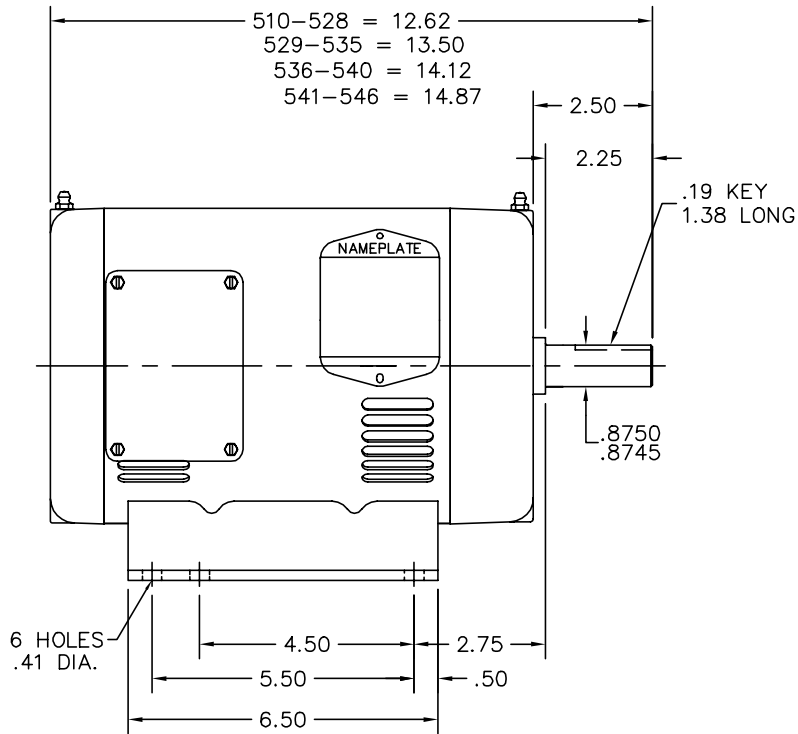
Load Characteristics 460 V, 60 Hz, 3 HP

% of Rated Load	25	50	75	100	125	150	S.F.
Power Factor	40	62	73	80	83	85	82
Efficiency	79.9	86.1	87.2	86.7	85.2	83.4	85.8
Speed	1787	1774	1760	1745	1728	1709	1735
Line amperes	2.26	2.72	3.35	4.08	5	5.98	4.63

Performance Graph at 460V, 60Hz, 3.0HP Typical performance - Not guaranteed values



35LYN830



CUSTOMER IS RESPONSIBLE FOR DETERMINING THAT BALDOR'S PRODUCT WILL PERFORM SUITABLY IN THE INTENDED APPLICATION.

REV. DESC: REPLACE ENDPLATES		
REV. LTR: C	VERSION: 02	TDR: 000001041474
FILE: \AAA\00043\904	REVISED: 09:03:29 09/06/2017	BY: USJOBUR22
MTL: -	© □	

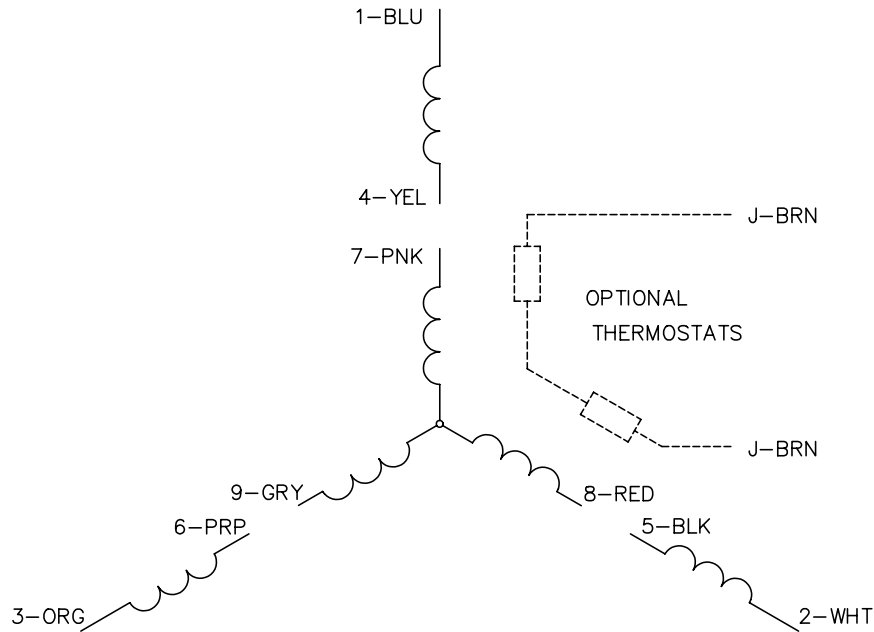
BALDOR

STD HOR 182-4 OPSB 35M

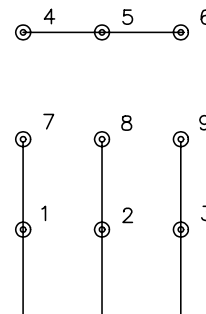
SH 1 of 1

35LYN830

CD0005

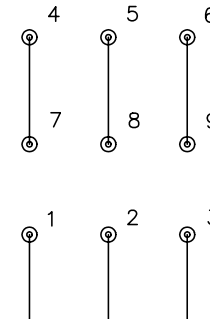


LOW VOLTAGE
(2Y)



LINE

HIGH VOLTAGE
(1Y)



LINE

NOTES:

1. INTERCHANGE ANY TWO LINE LEADS TO REVERSE ROTATION.
2. OPTIONAL THERMOSTATS ARE PROVIDED WHEN SPECIFIED.
3. ACTUAL NUMBER OF INTERNAL PARALLEL CIRCUITS MAY BE A MULTIPLE OF THOSE SHOWN ABOVE.
4. LEAD COLORS ARE OPTIONAL. LEADS MUST ALWAYS BE NUMBERED AS SHOWN.

REV. DESC: REVISE TO SHOW OPTIONAL COLORS			
REV. LTR: E	BY: JLP	REVISED: 01/19/99 10:15	TDR: 0171435
90000		FILE: AAA00005140	MDL: -
		MTL: -	

BALDOR ELECTRIC Co.

3PH, DV, 9 LEADS

CD0005