

BALDOR[®] • RELIANCE 

Product Information Packet

RM3154

1.5HP,1725RPM,3PH,60HZ,56/56H,3520M,OPEN

Part Detail							
Revision:	E	Status:	INA/A	Change #:		Proprietary:	No
Type:	AC	Elec. Spec:	34WGX116	CD Diagram:	CD0005	Mfg Plant:	
Mech. Spec:	34K065	Layout:	34LYK065	Poles:	04	Created Date:	
Base:	RS	Eff. Date:	04-28-2015	Leads:	9#18		

Specs			
Catalog Number:	RM3154	Front Shaft Indicator:	None
Enclosure:	OPEN	Heater Indicator:	No Heater
Frame:	56HH	Insulation Class:	B
Frame Material:	Steel	Inverter Code:	Not Inverter
Motor Letter Type:	Three Phase	KVA Code:	M
Output @ Frequency:	1.500 HP @ 60 HZ	Lifting Lugs:	No Lifting Lugs
Synchronous Speed @ Frequency:	1800 RPM @ 60 HZ	Locked Bearing Indicator:	No Locked Bearing
Voltage @ Frequency:	230.0 V @ 60 HZ	Motor Lead Quantity/Wire Size:	9 @ 18 AWG
	208.0 V @ 60 HZ	Motor Lead Exit:	Terminal Panel
	460.0 V @ 60 HZ	Motor Lead Termination:	Flying Leads
XP Division:	Not Applicable	Motor Type:	3432M
Agency Approvals:	CSA	Mounting Arrangement:	F1
	UR	Power Factor:	65
Auxillary Box:	No Auxillary Box	Product Family:	General Purpose
Auxillary Box Lead Termination:	None	Pulley End Bearing Type:	Ball
Base Indicator:	Resilient	Pulley Face Code:	Resilient Mount
Bearing Grease Type:	Polyrex EM (-20F +300F)	Pulley Shaft Indicator:	Standard
Blower:	None	Rodent Screen:	None

Current @ Voltage:	5.200 A @ 208.0 V	Shaft Extension Location:	Pulley End
	5.600 A @ 230.0 V	Shaft Ground Indicator:	No Shaft Grounding
	2.800 A @ 460.0 V	Shaft Rotation:	Reversible
Design Code:	B	Shaft Slinger Indicator:	No Slinger
Drip Cover:	No Drip Cover	Speed Code:	Single Speed
Duty Rating:	CONT	Motor Standards:	NEMA
Electrically Isolated Bearing:	Not Electrically Isolated	Starting Method:	Direct on line
Feedback Device:	NO FEEDBACK	Thermal Device - Bearing:	None
Front Face Code:	Resilient Mount	Thermal Device - Winding:	None
		Vibration Sensor Indicator:	No Vibration Sensor

Nameplate NP1256L										
CAT.NO.										
SPEC.	34K065X116G1									
HP	1.5									
VOLTS	208-230/460									
AMP	5.2-5.6/2.8									
RPM	1725									
FRAME	56H				HZ	60			PH	3
SER.F.	1.15			CODE	M	DES	B		CLASS	B
NEMA-NOM-EFF	77			PF	65					
RATING	40C AMB-CONT									
CC	USABLE AT 208V									
DE	6203				ODE	6203				
ENCL	OPEN			SN						

Parts List		
Part Number	Description	Quantity
SA123772	SA 34K065X116G1	1.000 EA
RA114243	RA 34K065X116G1	1.000 EA
LD5000A52	LEAD ASSY W/INTERNAL STAR RING TERMINALS	1.000 EA
11XT1032A06	10-32 X 3/8 HX WSHR HD SLTD TYPE 23	2.000 EA
34EP3202A01	FR ENDPLATE, MACH	1.000 EA
11XW0832G06	8-32 X 3/8 TY 23 TAPPING	1.000 EA
SP1000A01	TERM BOARD, MODEL 34 SW	1.000 EA
51XW0832A07	8-32 X .44, TAPTITE II, HEX WSHR SLTD SE	3.000 EA
RM1000A03	CUSHION RING, MDL 17-33-34	1.000 EA
HA6004A01A	CLAMP CUSHION RING ASSY	1.000 EA
HW5100A03	WAVY WASHER (W1543-017)	1.000 EA
34EP3203A01	PU ENDPLATE, MACH	1.000 EA
RM1000A03	CUSHION RING, MDL 17-33-34	1.000 EA
HA6004A01A	CLAMP CUSHION RING ASSY	1.000 EA
XY1032A02	10-32 HEX NUT DIRECTIONAL SERRATION	4.000 EA
34CB4501SP	TERMINAL BOX LID, STAMPED X (PLATED)	1.000 EA
51XW0832A07	8-32 X .44, TAPTITE II, HEX WSHR SLTD SE	2.000 EA
HW2501D13	KEY, 3/16 SQ X 1.375	1.000 EA
HA7000A04	KEY RETAINER 0.625 DIA SHAFTS	1.000 EA
WD4100A01	DP-875 HEYCO PLUG OR 62MP0875 MICRO PLAS	1.000 EA
MG1000G27	MED CHARCOAL METALLIC GREY 400-0096	0.014 GA
10XF0440S02	04-40 X 1/8 TYPE F HEX HD STAINLESS STIC	2.000 EA
34BA4011C01	RESILIENT BASE	1.000 EA
HA3100A38	THRUBOLT 10-32 X 9.375	4.000 EA

Parts List (continued)		
Part Number	Description	Quantity
LB1125C01	STD (STOCK) CARTON LABEL BALDOR WITH FLA	1.000 EA
LC0005E01	CONN.DIA./WARNING LABEL (LC0005/LB1119N)	1.000 EA
NP1256L	ALUM UL CSA CC INDUSTRIAL MOTOR A60	1.000 EA
MN416A01	TAG-INSTAL-MAINT no wire (2200bx) 4/22	1.000 EA
34PA1005	PKG GRP, PRINT PK1008A06	1.000 EA
LB1417	LABEL CARTON 6X4 PERFORATED BLANK ROLLS	1.000 EA

AC Induction Motor Performance Data

Record # 20837

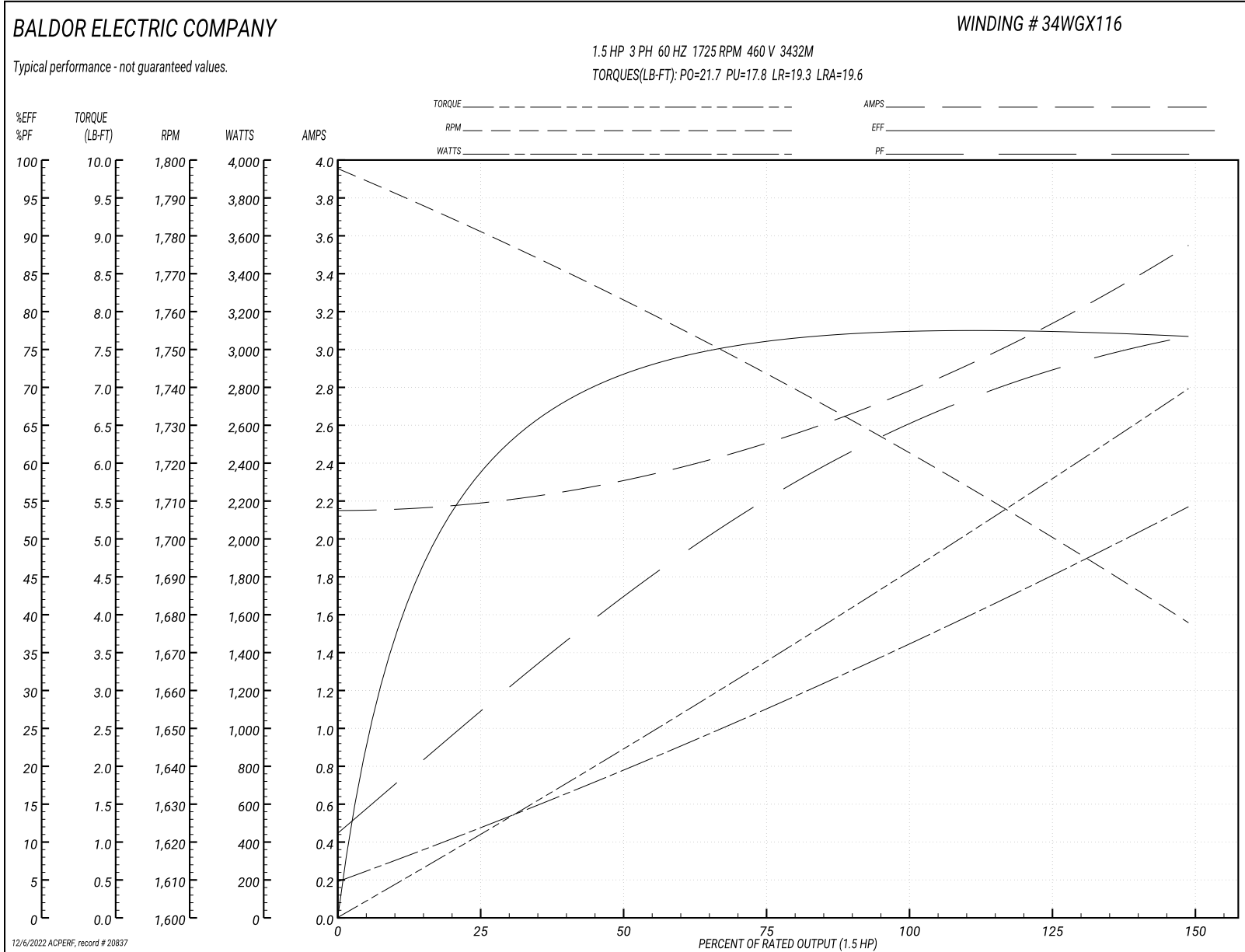
Typical performance - not guaranteed values

Winding: 34WGX116-R002		Type: 3432M		Enclosure: OPEN		
Nameplate Data			460 V, 60 Hz: High Voltage Connection			
Rated Output (HP)	1.5	Full Load Torque		4.56 LB-FT		
Volts	208-230/460	Start Configuration		direct on line		
Full Load Amps	5.2-5.6/2.8	Breakdown Torque		21.7 LB-FT		
R.P.M.	1725	Pull-up Torque		17.8 LB-FT		
Hz	60 Phase	3	Locked-rotor Torque		19.3 LB-FT	
NEMA Design Code	B	KVA Code	M	Starting Current		19.6 A
Service Factor (S.F.)	1.15	No-load Current		2.17 A		
NEMA Nom. Eff.	77	Power Factor	65	Line-line Res. @ 25°C		8.69 Ω
Rating - Duty	40C	AMB-CONT		Temp. Rise @ Rated Load		70°C
S.F. Amps				Temp. Rise @ S.F. Load		80°C
				Locked-rotor Power Factor		54
				Rotor inertia		0.0762 LB-FT ²

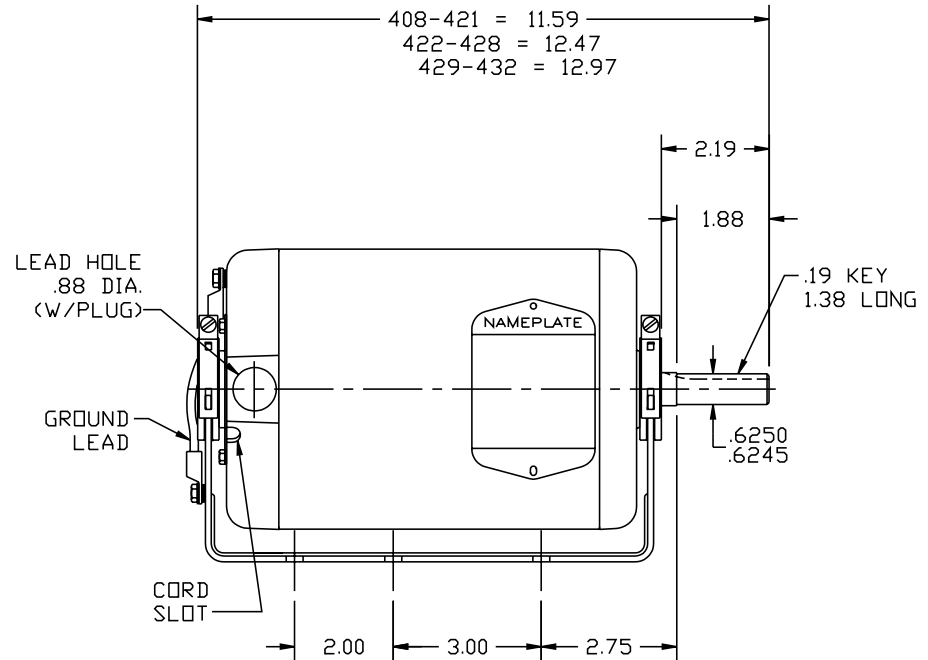
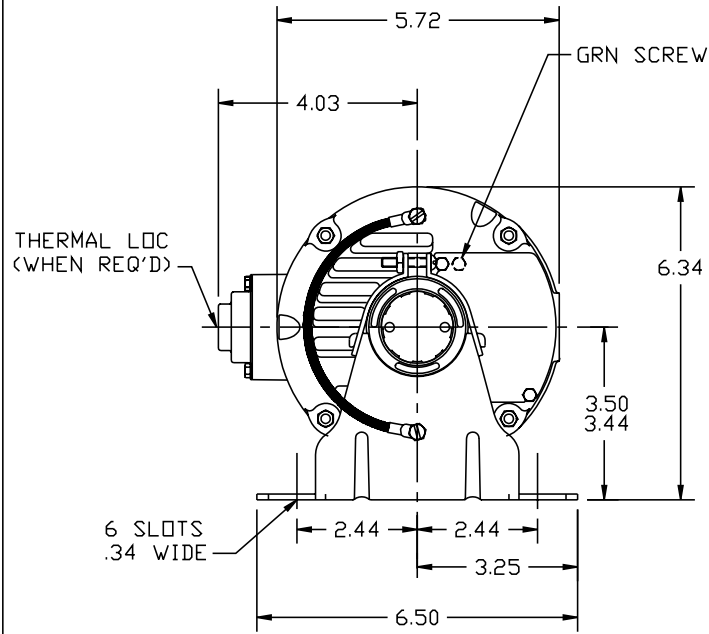
Load Characteristics 460 V, 60 Hz, 1.5 HP

% of Rated Load	25	50	75	100	125	150	S.F.
Power Factor	27	43	55	65	72	77	69
Efficiency	58.7	72.3	76.6	78.1	77.9	76.8	78
Speed	1780	1762	1744	1724	1701	1677	1710
Line amperes	2.16	2.3	2.51	2.8	3.14	3.54	3

Performance Graph at 460V, 60Hz, 1.5HP Typical performance - Not guaranteed values



34K065



CUST. NAME	CUST. P.O.	CERTIFIED BY	MODEL	INSUL	AMB		
H.P.	MTG	TYPE	R.P.M.	VOLTS	ENCL PHASE	FREQ	FRAME

REMARKS:
REV: D MOVED TO ACAD

BALDOR ELECTRIC Co.

990K7C	REF: 34K15	BY: MW	REVISED: 01/13/96
	FILE: AAA00026679	TDR: 0087130	

STD RESIL MTD MODEL 34M NEMA 56H OPEN MTR W/TERM PANEL

34K065

CD0005



LOW VOLTAGE
(2Y)



LINE

HIGH VOLTAGE
(1Y)



LINE

NOTES:

1. INTERCHANGE ANY TWO LINE LEADS TO REVERSE ROTATION.
2. OPTIONAL THERMOSTATS ARE PROVIDED WHEN SPECIFIED.
3. ACTUAL NUMBER OF INTERNAL PARALLEL CIRCUITS MAY BE A MULTIPLE OF THOSE SHOWN ABOVE.
4. LEAD COLORS ARE OPTIONAL. LEADS MUST ALWAYS BE NUMBERED AS SHOWN.

REV. DESC: REVISE TO SHOW OPTIONAL COLORS

REV. LTR: E BY: JLP

REVISED: 01/19/99 10:15

TDR: 0171435

90000

FILE: AAA00005140

MDL: -

MTL: -

BALDOR ELECTRIC Co.

3PH, DV, 9 LEADS

CD0005