

**BALDOR® • RELIANCE** 

**Product Information Packet**

**RM3155A**

**2HP,3450RPM,3PH,60HZ,56/56H,3428M,OPEN**

Part Detail							
Revision:	S	Status:	INA/A	Change #:		Proprietary:	No
Type:	AC	Elec. Spec:	34WG5900	CD Diagram:	CD0007	Mfg Plant:	
Mech. Spec:	34-5809	Layout:	34LY5809	Poles:	02	Created Date:	
Base:	RS	Eff. Date:	04-16-2012	Leads:	12#18		

Specs			
Catalog Number:	RM3155A	Inverter Code:	Not Inverter
Frame:	56/56H	KVA Code:	H
Frame Material:	Steel	Lifting Lugs:	No Lifting Lugs
Output @ Frequency:	2.000 HP @ 60 HZ	Locked Bearing Indicator:	No Locked Bearing
Synchronous Speed @ Frequency:	3600 RPM @ 60 HZ	Motor Lead Quantity/Wire Size:	12 @ 18 AWG
Voltage @ Frequency:	460.0 V @ 60 HZ	Motor Lead Exit:	Terminal Panel Or Lead Hole
	230.0 V @ 60 HZ	Motor Lead Termination:	Flying Leads
XP Division:	Not Applicable	Motor Type:	3428M
Agency Approvals:	CSA	Mounting Arrangement:	F1
	UR	Power Factor:	84
Auxillary Box:	No Auxillary Box	Product Family:	General Purpose
Auxillary Box Lead Termination:	None	Pulley End Bearing Type:	Ball
Base Indicator:	Resilient	Pulley Face Code:	Resilient Mount
Bearing Grease Type:	Polyrex EM (-20F +300F)	Pulley Shaft Indicator:	Standard
Blower:	None	Rodent Screen:	None
Current @ Voltage:	6.400 A @ 208.0 V	Shaft Extension Location:	Pulley End
	5.400 A @ 230.0 V	Shaft Ground Indicator:	No Shaft Grounding
	2.700 A @ 460.0 V	Shaft Rotation:	Reversible

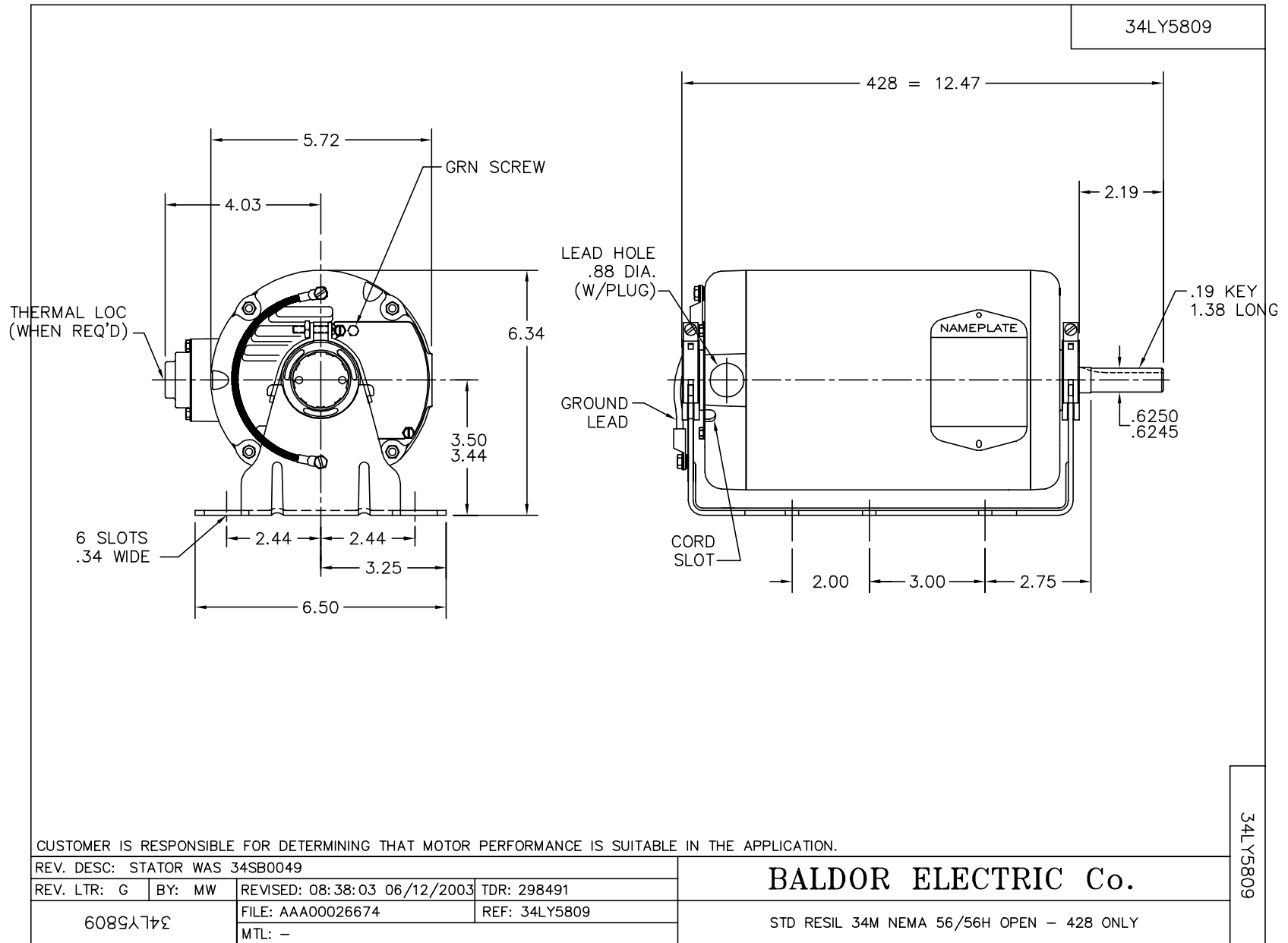
<b>Design Code:</b>	B	<b>Shaft Slinger Indicator:</b>	No Slinger
<b>Drip Cover:</b>	No Drip Cover	<b>Speed Code:</b>	Single Speed
<b>Duty Rating:</b>	CONT	<b>Motor Standards:</b>	NEMA
<b>Electrically Isolated Bearing:</b>	Not Electrically Isolated	<b>Starting Method:</b>	Direct on line
<b>Feedback Device:</b>	NO FEEDBACK	<b>Thermal Device - Bearing:</b>	None
<b>Front Face Code:</b>	Resilient Mount	<b>Thermal Device - Winding:</b>	None
<b>Front Shaft Indicator:</b>	None	<b>Vibration Sensor Indicator:</b>	No Vibration Sensor
<b>Heater Indicator:</b>	No Heater	<b>Winding Thermal 1:</b>	Automatic Thermal Overload
<b>Insulation Class:</b>	B	<b>Winding Thermal 1 Location:</b>	SB

<b>Nameplate NP1257L</b>	
<b>CAT.NO.</b>	
<b>SPEC.</b>	34-5809-5900
<b>HP</b>	2
<b>VOLTS</b>	230/460
<b>AMP</b>	5.4/2.7
<b>RPM</b>	3450
<b>FRAME</b>	56/56H
<b>HZ</b>	60
<b>PH</b>	3
<b>SER.F.</b>	1.15
<b>CODE</b>	H
<b>DES</b>	B
<b>CL</b>	B
<b>NEMA-NOM-EFF</b>	80
<b>PF</b>	84
<b>RATING</b>	40C AMB-CONT
<b>CC</b>	
<b>USABLE AT 208V</b>	6.4
<b>DE</b>	6203
<b>ODE</b>	6203
<b>ENCL</b>	OPEN
<b>SN</b>	
<b>SFA</b>	6/3

Parts List		
Part Number	Description	Quantity
SA009108	SA 34-5809-5900	1.000 EA
RA005555	RA 34-5809-5900	1.000 EA
LD5000A52	LEAD ASSY W/INTERNAL STAR RING TERMINALS	1.000 EA
11XT1032A06	10-32 X 3/8 HX WSHR HD SLTD TYPE 23	2.000 EA
34EP3202A01	FR ENDPLATE, MACH	1.000 EA
11XW0832G06	8-32 X 3/8 TY 23 TAPPING	1.000 EA
SP1000A01	TERM BOARD, MODEL 34 SW	1.000 EA
51XW0832A07	8-32 X .44, TAPTITE II, HEX WSHR SLTD SE	3.000 EA
WD4100A01	DP-875 HEYCO PLUG OR 62MP0875 MICRO PLAS	1.000 EA
RM1000A03	CUSHION RING, MDL 17-33-34	1.000 EA
HW5100A03	WAVY WASHER (W1543-017)	1.000 EA
34EP3203A01	PU ENDPLATE, MACH	1.000 EA
XY1032A02	10-32 HEX NUT DIRECTIONAL SERRATION	4.000 EA
RM1000A03	CUSHION RING, MDL 17-33-34	1.000 EA
HA6004A01A	CLAMP CUSHION RING ASSY	1.000 EA
34CB4501SP	TERMINAL BOX LID, STAMPED X (PLATED)	1.000 EA
51XW0832A07	8-32 X .44, TAPTITE II, HEX WSHR SLTD SE	2.000 EA
HW2501D13	KEY, 3/16 SQ X 1.375	1.000 EA
HA7000A04	KEY RETAINER 0.625 DIA SHAFTS	1.000 EA
MG1000G27	MED CHARCOAL METALLIC GREY 400-0096	0.014 GA
10XF0440S02	04-40 X 1/8 TYPE F HEX HD STAINLESS STIC	2.000 EA
34BA4011G01	RESILIENT BASE, MODEL 34 NEMA 56H	1.000 EA
HA3100A45	THRUBOLT 10-32 X 8.875	4.000 EA
LB1125C01	STD (STOCK) CARTON LABEL BALDOR WITH FLA	1.000 EA

<b>Parts List (continued)</b>		
<b>Part Number</b>	<b>Description</b>	<b>Quantity</b>
LB1118	LABEL,WARNING (ROLL LABEL)	1.000 EA
LC0007	CONNECTION LABEL	1.000 EA
NP1257L	ALUM UL CSA CC THERMAL REV MTG	1.000 EA
34PA1005	PKG GRP, PRINT PK1008A06	1.000 EA
LB1417	LABEL CARTON 6X4 PERFORATED BLANK ROLLS	1.000 EA

No performance data has been  
assigned to this product.



CUSTOMER IS RESPONSIBLE FOR DETERMINING THAT MOTOR PERFORMANCE IS SUITABLE IN THE APPLICATION.

REV. DESC: STATOR WAS 34SB0049			
REV. LTR: G	BY: MW	REVISED: 08:38:03 06/12/2003	TDR: 298491
6089179		FILE: AAA00026674	REF: 34LY5809
		MTL: -	

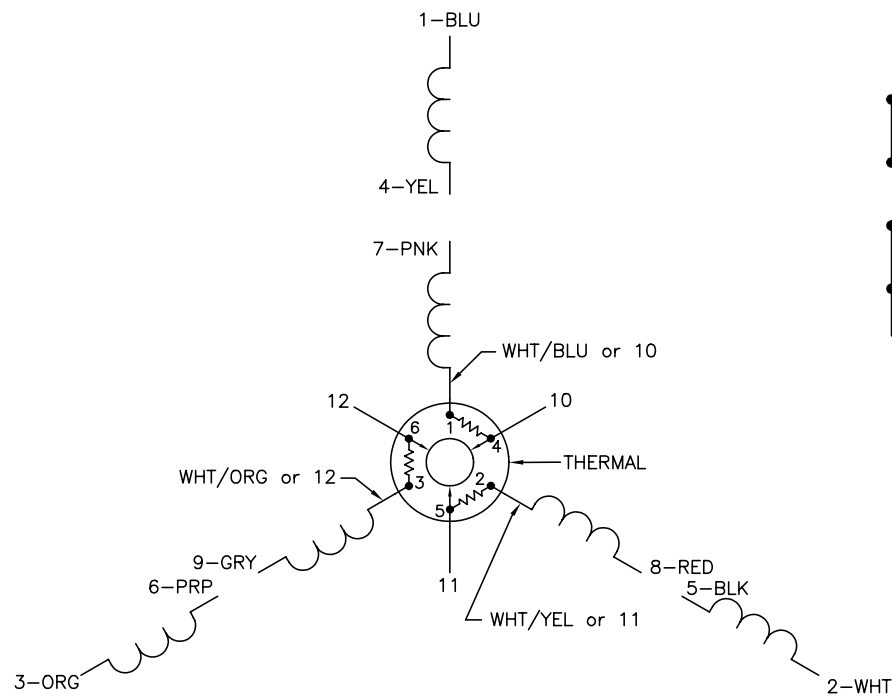
**BALDOR ELECTRIC Co.**

STD RESIL 34M NEMA 56/56H OPEN - 428 ONLY

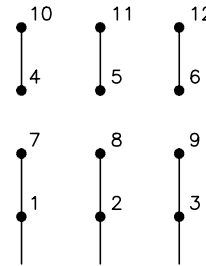
34LY5809



CD0007

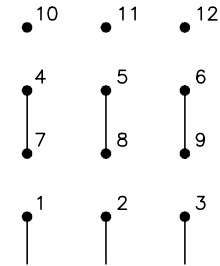


LOW VOLTAGE  
(2Y)



LINE

HIGH VOLTAGE  
(1Y)



LINE

NOTES:

1. INTERCHANGE ANY TWO LINE LEADS TO REVERSE ROTATION.
2. ACTUAL NUMBER OF INTERNAL PARALLEL CIRCUITS MAY VARY.
3. LEAD COLORS ARE OPTIONAL. LEADS MUST ALWAYS BE NUMBERED AS SHOWN.

REV. DESC: ADDED "CK" PLANT CODE			
REV. LTR: E	BY: EAH	REVISED: 05/06/99 17:1	TDR: 0181040
L00000		FILE: AAA00008370	MDL: -
		MTL: -	

**BALDOR ELECTRIC Co.**

3PH, DV, THERMAL, 12 LEADS

CD0007