



---

# Customer information packet

## VECP2333T-4

15HP, 1765RPM, 3PH, 60HZ, 254TC, 0944M, TEFC, F

Class - None

Division - Not Applicable

## Specifications

Enclosure	TEFC
Frame	254TC
Frame Material	Iron
Frequency	60.00 Hz
Motor Letter Type	Three Phase
Output @ Frequency	15.000 HP @ 60 HZ
Phase	3
Synchronous Speed @ Frequency	1800 RPM @ 60 HZ
Voltage @ Frequency	460.0 V @ 60 HZ
XP Class and Group	None
XP Division	Not Applicable
Agency Approvals	CSA CSA EEV UR
Ambient Temperature	40 °C
Auxillary Box	No Auxillary Box
Auxillary Box Lead Termination	None
Base Indicator	No Mounting
Bearing Grease Type	Polyrex EM (-20F +300F)
Blower	None
Constant Torque Speed Range	1.2
Current @ Voltage	18.100 A @ 460.0 V
Design Code	A
Drip Cover	Drip Cover
Duty Rating	CONT
Efficiency @ 100% Load	92.4 %
Electrically Isolated Bearing	Not Electrically Isolated
Feedback Device	NO FEEDBACK
Front Face Code	Standard
Front Shaft Indicator	None
Heater Indicator	No Heater
High Voltage Full Load Amps	18.1 a

## Part detail

Revision	AB
Type	AC
Mech. spec.	09H181
Base	
Status	PRD/A
Elec. spec.	09WGZ914
Layout	09LYH181
Eff. date	09-12-2022
CD Diagram	CD0006
Poles	04
Leads	3#12
Proprietary	False
Created date	11-29-2012

<b>Insulation Class</b>	F
<b>Inverter Code</b>	Inverter Duty
<b>KVA Code</b>	H
<b>Lifting Lugs</b>	Standard Lifting Lugs
<b>Locked Bearing Indicator</b>	Locked Bearing
<b>Max Speed</b>	2700 rpm
<b>Motor Lead Exit</b>	Ko Box
<b>Motor Lead Quantity/Wire Size</b>	3 @ 12 AWG
<b>Motor Lead Termination</b>	Flying Leads
<b>Motor Standards</b>	NEMA
<b>Motor Type</b>	0944M
<b>Mounting Arrangement</b>	F1
<b>Number of Poles</b>	4
<b>Overall Length</b>	27.40 IN
<b>Power Factor</b>	83
<b>Product Family</b>	Super-E Chemical Processing
<b>Pulley End Bearing Type</b>	Ball
<b>Pulley Face Code</b>	C-Face
<b>Pulley Shaft Indicator</b>	Standard
<b>Rodent Screen</b>	None
<b>Service Factor</b>	1.15
<b>Shaft Diameter</b>	1.625 IN
<b>Shaft Extension Location</b>	Pulley End
<b>Shaft Ground Indicator</b>	No Shaft Grounding
<b>Shaft Rotation</b>	Reversible
<b>Shaft Slinger Indicator</b>	Shaft Slinger
<b>Speed</b>	1765 rpm
<b>Speed Code</b>	Single Speed
<b>Starting Method</b>	Direct on line
<b>Thermal Device - Bearing</b>	None
<b>Thermal Device - Winding</b>	None
<b>Vibration Sensor Indicator</b>	No Vibration Sensor
<b>Winding Thermal 1</b>	None
<b>Winding Thermal 2</b>	None

**XP Temp Code**

**T3C**

---

**Nameplate**

NP3995ABBL													
<b>CAT #</b>		VECP2333T-4				<b>SER</b>				<b>CC</b>		010A	
<b>SPEC</b>		09H181Z914				<b>RATING</b>		40C AMB-CONT					
<b>HZ</b>	<b>VOLTS</b>		<b>AMPS</b>		<b>RPM</b>	<b>HP</b>	<b>CODE</b>	<b>SF</b>	<b>DES</b>	<b>PF</b>	<b>NEMA NOM. EFF</b>		
60	460		18.1		1765	15	H	1.15	A	83 %	92.4 %		
										%			
<b>PH</b>	3	<b>CL</b>	F	<b>MAX RPM</b>		2700	<b>MAX CORR KVAR</b>		<b>USABLE AT 208V</b>				
IP55		<b>FR</b>	254TC	<b>ENCL</b>	TEFC	<b>DE BRG</b>	6309	<b>ODE BRG</b>	6309				
<b>GREASE</b>		POLYREX EM				<b>MTR WT</b>		303	<b>LBS</b>				
<b>USABLE AT</b>		50HZ 10HP 380V 15.3A				<b>SF1.0</b>							
				<b>CL I DIV 2 GRPS A,B,C,D</b>			<b>CL I ZONE 2 GRPS</b>			<b>IIA,IIB,IIC</b>		<b>TEMP T</b>	160 C
		<b>1.0 SF ON PWM INVERTER</b>		<b>POWER</b>		<b>INV TEMP CL</b>		180	<b>C</b>				
<b>CHP</b>	60-90	<b>HZ</b>	1.5:1	<b>CT</b>	1.2-60	<b>HZ</b>	50:1	<b>VT</b>	0-60	<b>HZ</b>	1000:1		
				<b>SPACE HEATER LEADS H1-H2:</b>			<b>TIE LIKE NUMBERS</b>			<b>TOGETHER</b>			
<b>V</b>		<b>A</b>		<b>W</b>		<b>MAX SPACE HEATER TEMP</b>							

## Parts list

Part number	Description	Quantity
SA255009	SA 09H181Z914	1.000 ea
RA241813	RA 09H181Z914	1.000 ea
09CB1002A12P	KOBX W/1.25 NPT LEAD HOLE & 2.38 MTG HOL	1.000 ea
09GS1010	GASKET, DWG, LEADWIRE SEPERATOR	1.000 ea
51XW2520A12	.25-20 X .75, TAPTITE II, HEX WSHR SLTD	4.000 ea
WD1000B17	T&B CX35TN OR L35P TERMINAL LUG	1.000 ea
10XN2520K08	1/4-20 X .50 GRADE #5, STL, ZINC PLATE	1.000 ea
HW1001A25	LOCKWASHER 1/4, ZINC PLT .493 OD, .255 I	1.000 ea
HA3400A39	STUD- 3/8-16 X 6.44 OAL HEX	4.000 ea
HW1001A38	LOCKWASHER 3/8, ZINC PLT .688 OD, .382 I	4.000 ea
HA4017A08	.125X3.50 GREASER EXTEN.	1.000 ea
HA4017A02	.125X2.50 GREASER EXTENS.F/S	1.000 ea
HW4019A01	PIPE COUPLING 1/8 NPT,STEEL,ZINC COATING	1.000 ea
HW5100A11	W3917-042 WVY WSHR (WB)	1.000 ea
10XN2520K28	1/4-20 X 1.75" HX HD SCRWGRADE 5, ZINC P	2.000 ea
09EP1300A12P	ENDPLATE, MACH EPOXY PRIMER	1.000 ea
10XN3816K24	3/8-16 X 1.50 HEX HD CAP SCREW, GRADE 5	4.000 ea
HW1001A38	LOCKWASHER 3/8, ZINC PLT .688 OD, .382 I	4.000 ea
10XN2520K36	1/4-20 X 2.25" HX HD SCRWGRADE 5, ZINC P	4.000 ea
09FH1000A03P	FAN HOUSING, MACH W/EPOXY PRIMER	1.000 ea
HW1001A38	LOCKWASHER 3/8, ZINC PLT .688 OD, .382 I	4.000 ea
XY3816A12	3/8-16 FINISHED NUT	4.000 ea
09FH1500A01P	DRIP COVER, MACH W/EPOXY PRIMER	1.000 ea
10XN2520K28	1/4-20 X 1.75" HX HD SCRWGRADE 5, ZINC P	4.000 ea
HW4600B44	V-RING SLINGER 1.500 X 1.810 X .28 VITON	1.000 ea
HW4600B67	V-RING SLINGER 1.770 X 2.170 X .28 VITON	1.000 ea
12CB1503P	CONDUIT BOX LID, CAST W/EPOXY PRIMER	1.000 ea
12GS1002	GASKET, CONDUIT BOX LID, NEOP	1.000 ea
10XN3118K16	5/16-18 X 1' GRADE #5, STL, ZINC PLATE	2.000 ea
HW1001A31	LOCKWASHER 5/16, ZINC PLT.591 OD, .319 I	2.000 ea
HW2501G25	KEY, 3/8 SQ X 2.875	1.000 ea

MJ5001A27	32220KN GRAY SEALER *MIN BUY 4 QTS=1GAL	0.031 qt
MJ5002A01	SILICON RUBBER SEALANT, 732CL 10.3 OZ TU	0.023 ea
LB1115N	LABEL,LIFTING DEVICE (ON ROLLS)	1.000 ea
PK6014	STEEL STRAP FOR 309-312 BASELESS MOTORS	4.000 ea
19XW3118A08	.31-18 X .50 HEX WASHER HEAD TAPTITE II	4.000 ea
MN416A01	TAG-INSTAL-MAINT no wire (2100bx)4/22	1.000 ea
LD7020D03	LEAD SET, 12AWG, 3 LEAD, 20" LONG LEADS	1.000 ea
09EP1118A05LP5	FREP MACH, 309 BRG. EPOXY PRIMER	1.000 ea
HW4500A17	317400 ALEMITE GREASE RELIEF	1.000 ea
HW4500A21	1618BALEMITE FITTING 825 UNIVERSAL	1.000 ea
HA4054	SHORT T-DRAIN FITTING, .125" N.P.T.	1.000 ea
HA4051A00	PLASTIC CAP FOR GREASE FITTING	1.000 ea
37FN3002B02	EXFN, PLASTIC, 7.50 OD, 1.503 ID	1.000 ea
MJ1000A02	GREASE, POLYREX EM EXXON	0.080 lb
HW4500A03	GREASE FITTING, .125 NPT 1610(ALEMITE) 8	1.000 ea
HW4500A17	317400 ALEMITE GREASE RELIEF	1.000 ea
HA4054	SHORT T-DRAIN FITTING, .125" N.P.T.	1.000 ea
HA4051A00	PLASTIC CAP FOR GREASE FITTING	1.000 ea
HW2500A25	WOODRUFF KEY USA #1008 #BLOW CARBON STEE	1.000 ea
MG1025N19	WILKOFAS, 778.50, RELIANCE BLUE-GREEN 8	0.050 ga
85XU0407S04	4X1/4 U DRIVE PIN STAINLESS	2.000 ea
NP3995ABBL	SS SUPER-E SD XEX CLI DIV2 UR CSA-C-US E	1.000 ea
40PA1024	PKGP WOOD BASE, RISER SIDE LIFT GRUNDFOS	1.000 ea

**AC Induction Motor Performance Data**

Record # 47166

Typical performance - not guaranteed values

Winding: 09WGW914-R021		Type: 0944M	Enclosure: TEFC	
<b>Nameplate Data</b>			<b>460 V, 60 Hz: High Voltage Connection</b>	
Rated Output (HP)	15	Full Load Torque	44.5 LB-FT	
Volts	460	Start Configuration	direct on line	
Full Load Amps	18.1	Breakdown Torque	153 LB-FT	
R.P.M.	1765	Pull-up Torque	69.5 LB-FT	
Hz	60 Phase	3	Locked-rotor Torque	86.5 LB-FT
NEMA Design Code	A KVA Code	H	Starting Current	127 A
Service Factor (S.F.)	1.15	No-load Current	7.56 A	
NEMA Nom. Eff.	92.4 Power Factor	83	Line-line Res. @ 25°C	0.59555 Ω
Rating - Duty	40C AMB-CONT		Temp. Rise @ Rated Load	54°C
S.F. Amps			Temp. Rise @ S.F. Load	67°C
			Locked-rotor Power Factor	33.1
			Rotor inertia	1.92 LB-FT <sup>2</sup>

**Load Characteristics 460 V, 60 Hz, 15 HP**

% of Rated Load	25	50	75	100	125	150	S.F.
Power Factor	45	69	79	83	85	87	84
Efficiency	88.2	92.2	92.7	92.4	91.5	90.4	91.9
Speed	1791.3	1783.1	1774	1765.2	1754.6	1743.1	1759
Line amperes	8.62	11	14.5	18.2	22.6	26.9	20.8



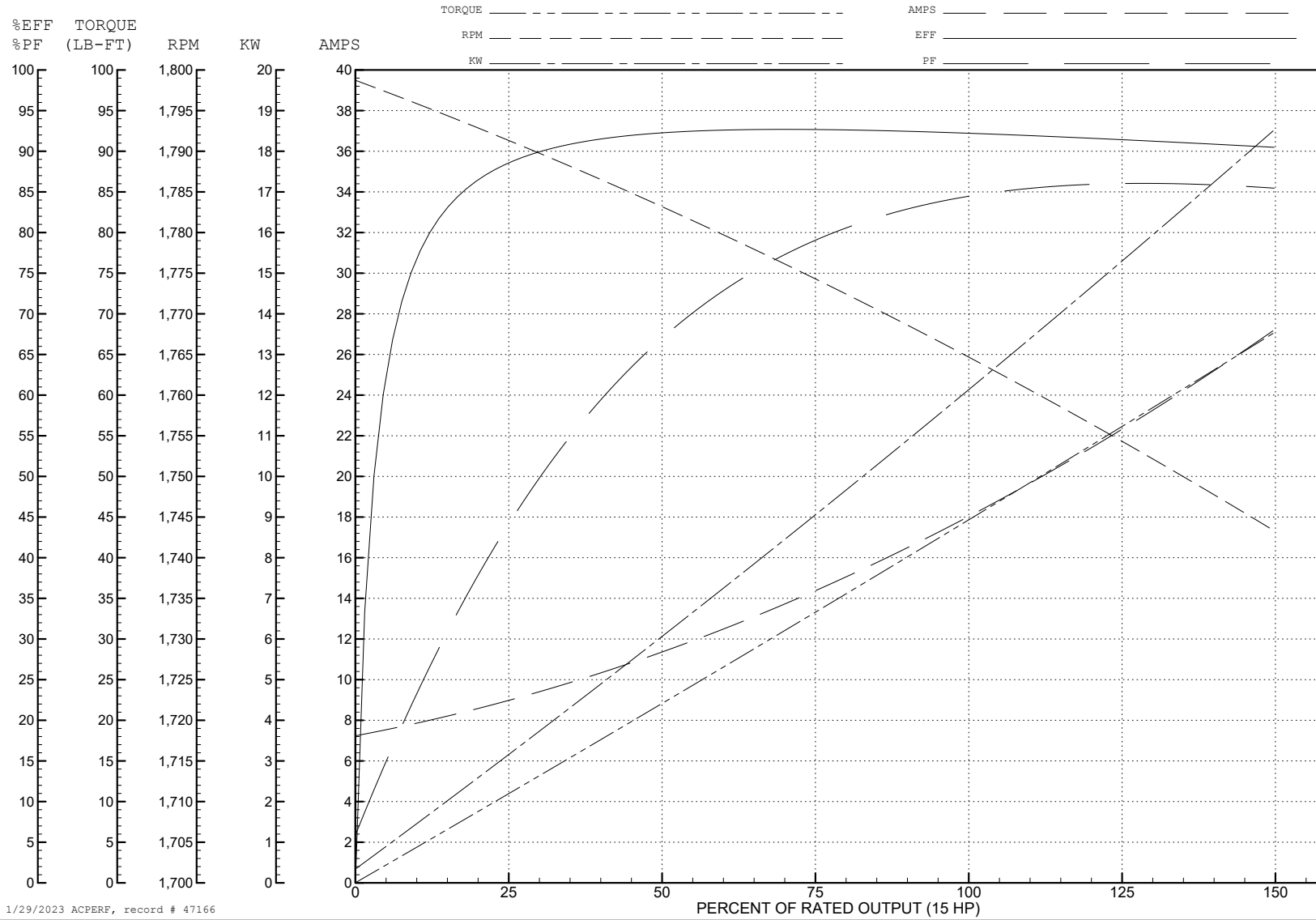
ABB Motors and Mechanical Inc.

WINDING # 09WGZ914

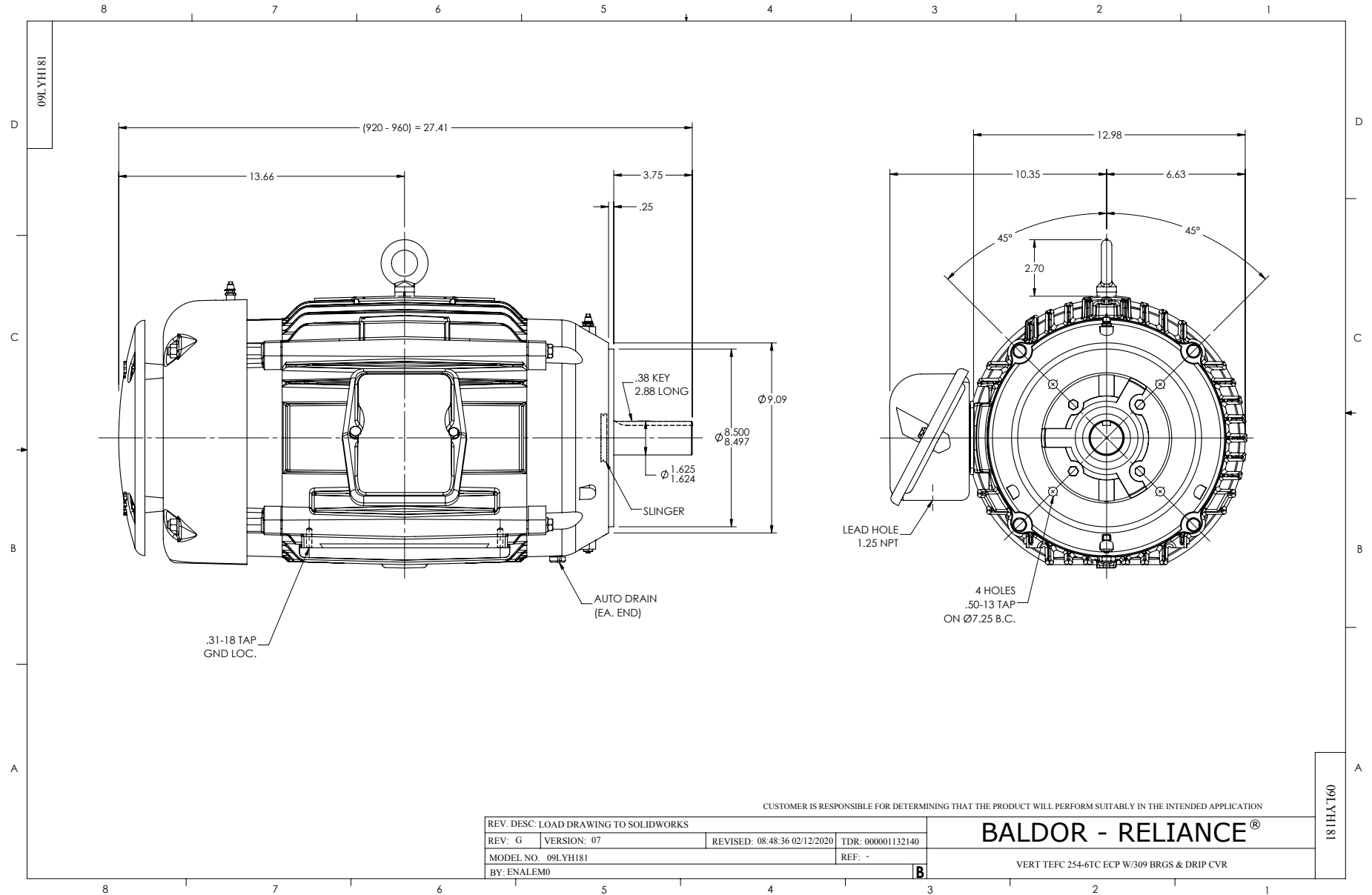
15 HP 3 PH 60 HZ 1765 RPM 460 V 0944M

Typical performance - not guaranteed values.

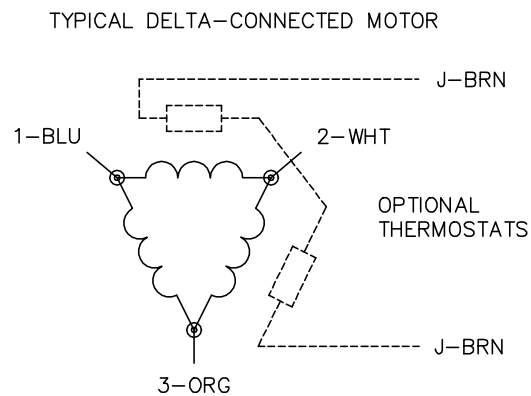
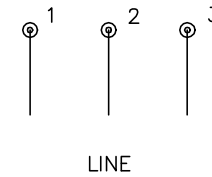
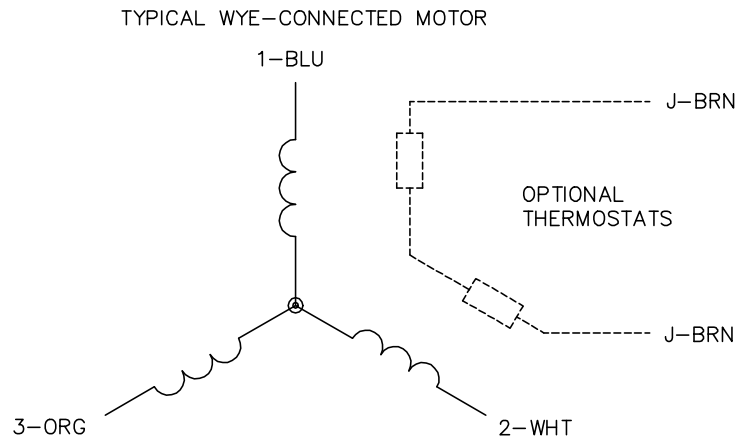
TORQUES (LB-FT): PO=153 PU=69.5 LR=86.5 LRA=127



1/29/2023 ACPERF, record # 47166



CD0006



NOTES:

1. THREE LEAD MOTOR MAY BE EITHER WYE CONNECTED OR DELTA CONNECTED.
2. INTERCHANGE ANY TWO LINE LEADS TO REVERSE ROTATION.
3. OPTIONAL THERMOSTATS ARE PROVIDED WHEN SPECIFIED.
4. ACTUAL NUMBER OF INTERNAL PARALLEL CIRCUITS MAY VARY.
5. LEAD COLORS ARE OPTIONAL. LEADS MUST BE NUMBERED AS SHOWN.

CD0006

REV. DESC: ADD CLASS CONN00000007		
REV. LTR: E	VERSION: 01	TDR: 000001099922
FILE: \AAA\00005\141	REVISED: 10:24:49 02/19/2019	BY: ENBRIRO
MTL: -	© □	

**BALDOR - RELIANCE®**

3PH, SV, 3 LEADS, WYE OR DELTA CONNECTED

SH 1 of 1