

BALDOR • RELIANCE

Customer information packet

VFSFWDM3546T-E

1HP, 1770RPM, 3PH, 60HZ, 143TC, 3522M, TEFC, F1

Class - None

Division - Not Applicable

Specifications

Enclosure	TEFC
Frame	143TC
Frame Material	Stainless Steel
Frequency	60.00 Hz
Haz Area Class and Group	None
Haz Area Division	Not Applicable
Motor Letter Type	Three Phase
Output @ Frequency	1.000 HP @ 60 HZ
Phase	3
Synchronous Speed @ Frequency	1800 RPM @ 60 HZ
Voltage @ Frequency	230.0 V @ 60 HZ 460.0 V @ 60 HZ
Agency Approvals	CSA EEV NEMA PREMIUM NEMA_PREMIUM UR
Ambient Temperature	40 °C
Auxillary Box	No Auxillary Box
Auxillary Box Lead Termination	None
Base Indicator	No Mounting
Bearing Grease Type	Polyrex EM (-20F +300F)
Blower	None
Current @ Voltage	3.340 A @ 230.0 V 3.300 A @ 208.0 V 1.670 A @ 460.0 V
Design Code	B
Drip Cover	No Drip Cover
Duty Rating	CONT
Efficiency @ 100% Load	85.5 %
Electrically Isolated Bearing	Not Electrically Isolated
Feedback Device	NO FEEDBACK
Front Shaft Indicator	None

Part detail

Revision	E
Type	AC
Mech. spec.	35E4709
Base	
Status	PRD/A
Elec. spec.	35WGG184
Layout	35LYE4709
Eff. date	08-14-2023
CD Diagram	CD0005
Poles	04
Leads	9#18
Proprietary	False
Created date	01-10-2022

Heater Indicator	No Heater
High Voltage Full Load Amps	1.7 a
Insulation Class	H
Inverter Code	Inverter Ready
KVA Code	N
Lifting Lugs	No Lifting Lugs
Locked Bearing Indicator	Locked Bearing
Motor Finish	UNPAINTED
Motor Lead Quantity/Wire Size	9 @ 18 AWG
Motor Lead Termination	Flying Leads
Motor Standards	NEMA
Motor Type	3522M
Mounting Arrangement	F1
Number of Poles	4
Overall Length	14.03 IN
Power Factor	66
Product Family	WD All SD Non-Encapsulated
Pulley End Bearing Type	Sealed Bearing
Pulley Face Code	C-Face
Pulley Shaft Indicator	Standard
Rodent Screen	None
Service Factor	1.15
Shaft Diameter	0.875 IN
Shaft Ground Indicator	No Shaft Grounding
Shaft Rotation	Reversible
Shaft Slinger Indicator	No Slinger
Speed	1770 rpm
Speed Code	Single Speed
Starting Method	Direct on line
Thermal Device - Bearing	None
Thermal Device - Winding	None
Vibration Sensor Indicator	No Vibration Sensor
Winding Thermal 1	None
Winding Thermal 2	None

Nameplate

NP4427AAA01											
CAT #	VFSFWD3546T-E			WT	37	LBS					
SPEC	35E4709G184G1			ENCL	TEFC						
SER #				CC	010A	IP	69				
HP	1	MAG CUR		2.46/1.23							
VOLTS	230/460			NEMA NOM. EFF		85.5					
AMPS	3.34/1.67			PF	66						
RATING	40C AMB-CONT										
RPM	1770			MAX RPM		2700					
FRAME	143TC	HZ	60	CODE	N	CLASS	H				
SER.F.	1.15	SF AMP	3.58/1.79		PH	3	DES	B			
DE	6205		ODE	6205							
LUBRICATION	POLYREX EM										
ID LOGO	INVERTER TYPE		VPWM	CHP	60	TO	90	1.5:1			
ID LOGO	WK2	0.159	CT	15	TO	60	4:1				
ID LOGO	SL HZ	1	VT	3	TO	60	20:1				
				QR							
YR											

Parts list

Part number	Description	Quantity
SA402536	SA 35E4709G184G1	1.000 ea
RA393813	RA 35E4709G184G1	1.000 ea
34FN3002B01	EXTERNAL FAN, PLASTIC, .637/.639 HUB W/	1.000 ea
35CB1017A02	5/36 MID SECT - 3 PC. CONDUIT BOX 3/4 N	1.000 ea
HA3424S48	STUD - M6X1.0 THDS X 3.00"	1.000 ea
RM1070A81	O-RING, -043 VITON/FKM .070CS X 3.489ID	1.000 ea
35CB1513A01	35-36-37 MACH. LID - 3 PC. CONDUIT BOX	1.000 ea
11XW1032G08	10-32 X .50, TAPTITE II, HEX WSHR SLTD U	1.000 ea
HW3001B01	BRASS CUP WASHER, FOR #10 SCREW	1.000 ea
35EP1940A05	FRONT TEFC 205 BRG (STAINLESS)	1.000 ea
RM1070A25	O-RING, VITON/FKM .070CS X 6.190ID	1.000 ea
HW4600G01	.984X1.499X.25 VITON SLICK SERIES LIP	1.000 ea
HW4600E99	25 X 42 X 6 AFX SEAL, GRAPHITE INFUSED V	1.000 ea
HW4500S33	1/8 NPT STAINLESS #304 SS PLUG	4.000 ea
HW4500S33	1/8 NPT STAINLESS #304 SS PLUG	4.000 ea
HW5100A05	WVY WSHR F/205 & 304 BRGS	1.000 ea
35EP1935A02	PULLEY 56C/143-5TC ENCL 205 BRG	1.000 ea
RM1070A25	O-RING, VITON/FKM .070CS X 6.190ID	1.000 ea
HW4600G01	.984X1.499X.25 VITON SLICK SERIES LIP	1.000 ea
HW4600E99	25 X 42 X 6 AFX SEAL, GRAPHITE INFUSED V	1.000 ea
RM1070A26	O-RING,4.5MM I.D.X1.5MM C.S. (VITON)	4.000 ea
35FH4005A39	IEC FH NO GREASER DEBURR/CLEAN - SS	1.000 ea
10XN1032FS06	HEX HD CAP SCREW 10-32 X 3/8 SS FOOD SAF	3.000 ea
RM1070A81	O-RING, -043 VITON/FKM .070CS X 3.489ID	1.000 ea
HW2502D13	SS KEY, 3/16 SQ X 1.375	1.000 ea
HA7000A01	KEY RETAINER 7/8" DIA SHAFT	1.000 ea
MJ5001A27	32220KN GRAY SEALER *MIN BUY 4 QTS=1GAL	0.005 qt
MJ5004A93	FOOD GRADE (H1 RATED) ANTISEIZE THRD COM	0.005 ea
HA1025A21	WSHR,FELT .125" THK	1.000 ea
HA5027A09	DRAIN KIT,(2)HA4002A03 BAGGED W/LABEL	1.000 ea
MJ1000A02	GREASE, POLYREX EM EXXON	0.050 lb

11XB1214S16	12-14X1.00 HXWSSLD TYP B STAINLESS	1.000 ea
WD5603A01	KIT, CLOSED-END LEAD SPLICE (18-14GA)	1.000 ea
HA3100FS25	THRUBOLT, 10-32 X 9.500 SS FOOD SAFE	4.000 ea
36PA1000	PKG GRP, PRINT PK1016A06	1.000 ea
PK3082	STYROFOAM CRADLE	1.000 ea
MN416A01	TAG-INSTAL-MAINT no wire (2500bx)4/22	1.000 ea
PE-0000010	ZRTG PE ASSEMBLY	1.000 ea
FE-0000016	ZTRG FE ASSEMBLY	1.000 ea

AC Induction Motor Performance Data

Record # 90512

Typical performance - not guaranteed values

Winding: 35WGG184-R018		Type: 3522M		Enclosure: TEFC	
Nameplate Data			460 V, 60 Hz: High Voltage Connection		
Rated Output (HP)		1	Full Load Torque		2.99 LB-FT
Volts		230/460	Start Configuration		direct on line
Full Load Amps		3.34/1.67	Breakdown Torque		16.6 LB-FT
R.P.M.		1770	Pull-up Torque		7.42 LB-FT
Hz	60 Phase	3	Locked-rotor Torque		10.32 LB-FT
NEMA Design Code	B KVA Code	N	Starting Current		16.1 A
Service Factor (S.F.)		1.15	No-load Current		1.23 A
NEMA Nom. Eff.	85.5 Power Factor	66	Line-line Res. @ 25°C		14.4 Ω
Rating - Duty		40C AMB-CONT	Temp. Rise @ Rated Load		32°C
S.F. Amps			Temp. Rise @ S.F. Load		37°C
			Locked-rotor Power Factor		59.3666
			Rotor inertia		0.159 lb-ft ²

Load Characteristics 460 V, 60 Hz, 1 HP

% of Rated Load	25	50	75	100	125	150	S.F.
Power Factor	27	43	56	66	73	78	70
Efficiency	70.8	81.2	84.5	85.9	85.8	85.2	85.8
Speed	1793	1786	1781	1773	1766	1758	1769
Line amperes	1.25	1.34	1.49	1.67	1.87	2.12	1.79

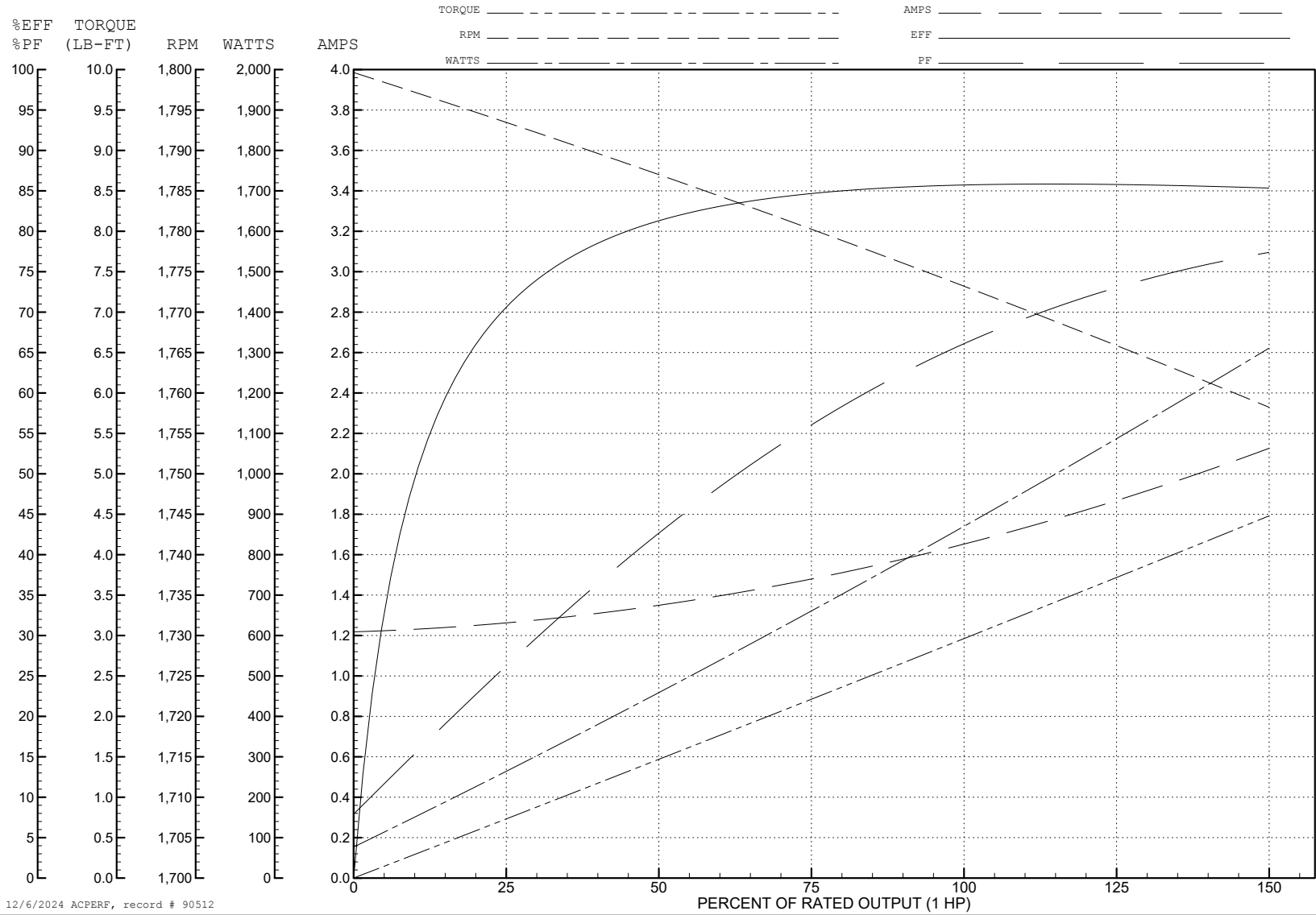
ABB Motors and Mechanical Inc.

WINDING # 35WGG184

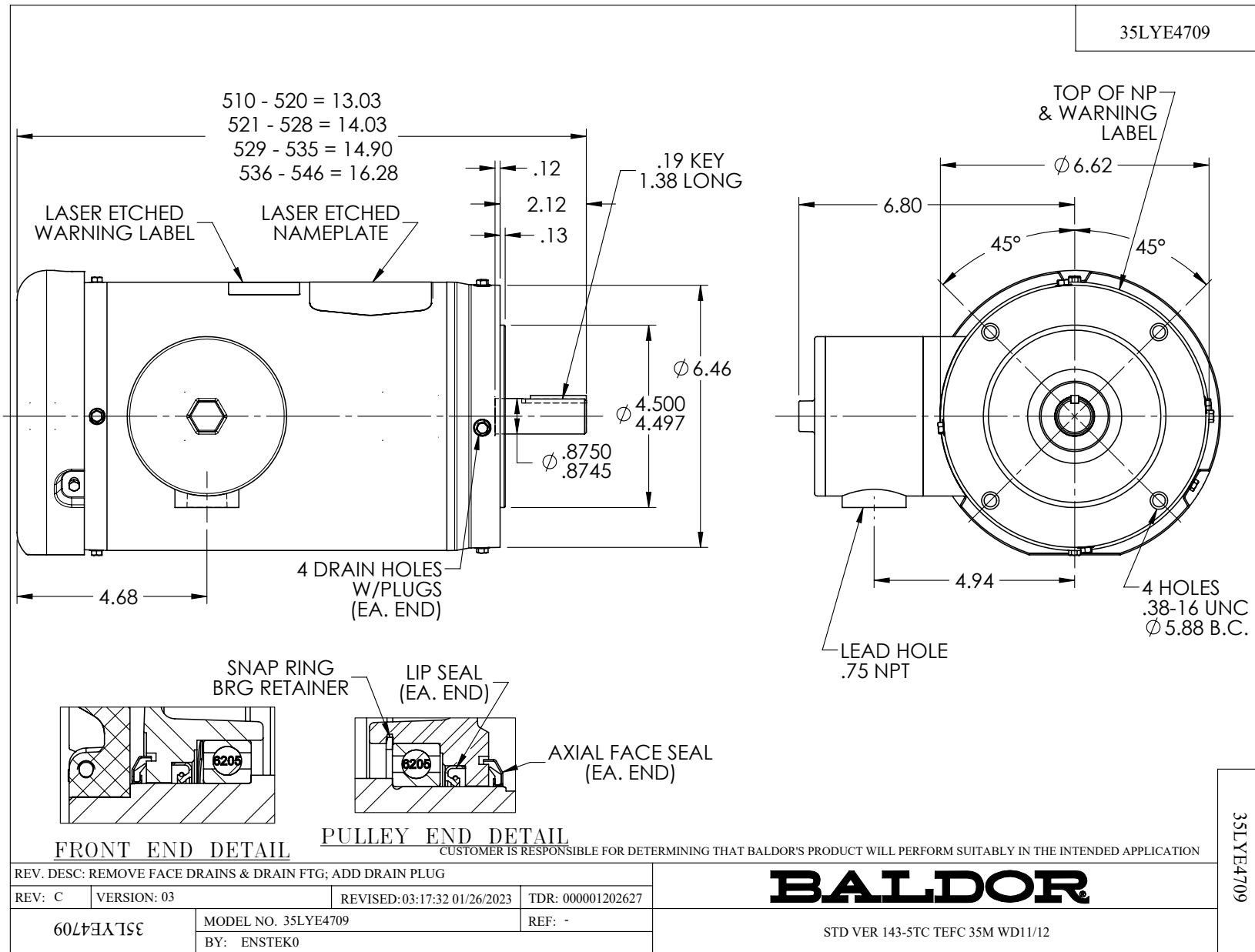
Typical performance - not guaranteed values.

1 HP 3 PH 60 HZ 1770 RPM 460 V 3522M

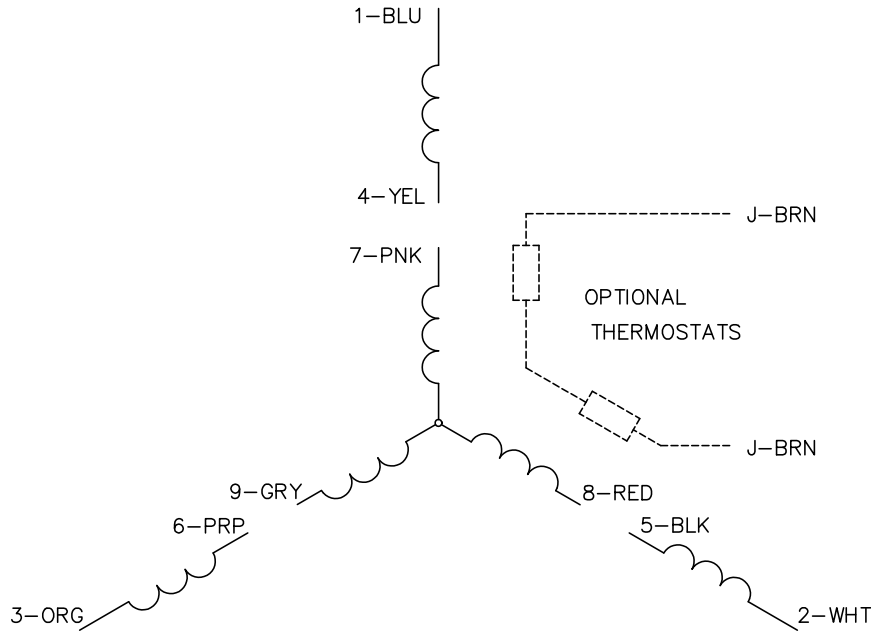
TORQUES (LB-FT): PO=16.6 PU=7.42 LR=10.32 LRA=16.1



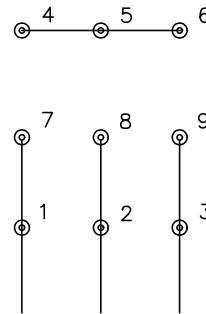
12/6/2024 ACPERF, record # 90512



CD0005

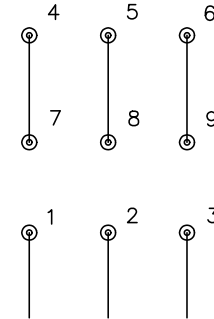


LOW VOLTAGE
(2Y)



LINE

HIGH VOLTAGE
(1Y)



LINE

NOTES:

1. INTERCHANGE ANY TWO LINE LEADS TO REVERSE ROTATION.
2. OPTIONAL THERMOSTATS ARE PROVIDED WHEN SPECIFIED.
3. ACTUAL NUMBER OF INTERNAL PARALLEL CIRCUITS MAY BE A MULTIPLE OF THOSE SHOWN ABOVE.
4. LEAD COLORS ARE OPTIONAL. LEADS MUST ALWAYS BE NUMBERED AS SHOWN.

CD0005

REV. DESC: REVISE TO SHOW OPTIONAL COLORS			
REV. LTR: E	BY: JLP	REVISED: 01/19/99 10:15	TDR: 0171435
S00000		FILE: AAA00005140	MDL: -
		MTL: -	

BALDOR ELECTRIC Co.

3PH, DV, 9 LEADS